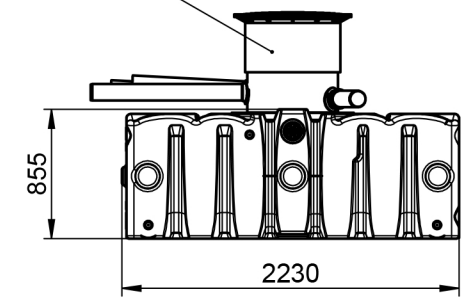


Pos.	Item name_Global	Item name_Local	Article No.	1028180/QTY.
1	Flat tank 2000l lying	Flachtank 2000l liegend	103001	1
2	Overflow siphon with rodent protection	Ueberlaufsiphon mit Tierschutz, gekuerzt	103201	1
3	Inlet flow turbulence reducer	Zulaufberuhiger	103211	1
4	Tank filter	Tankeinbaufilter	103210	1
5	Walkable cover, set high	Begehbare Abdeckung, Set hoch	103101	1
6	Fully automated rainwater management, set	Vollautomatisches Regenwassermanagement, Set	103153	1

Height adjustable from 600 to 695 mm /
Hoehe einstellbar von 600 bis 695 mm

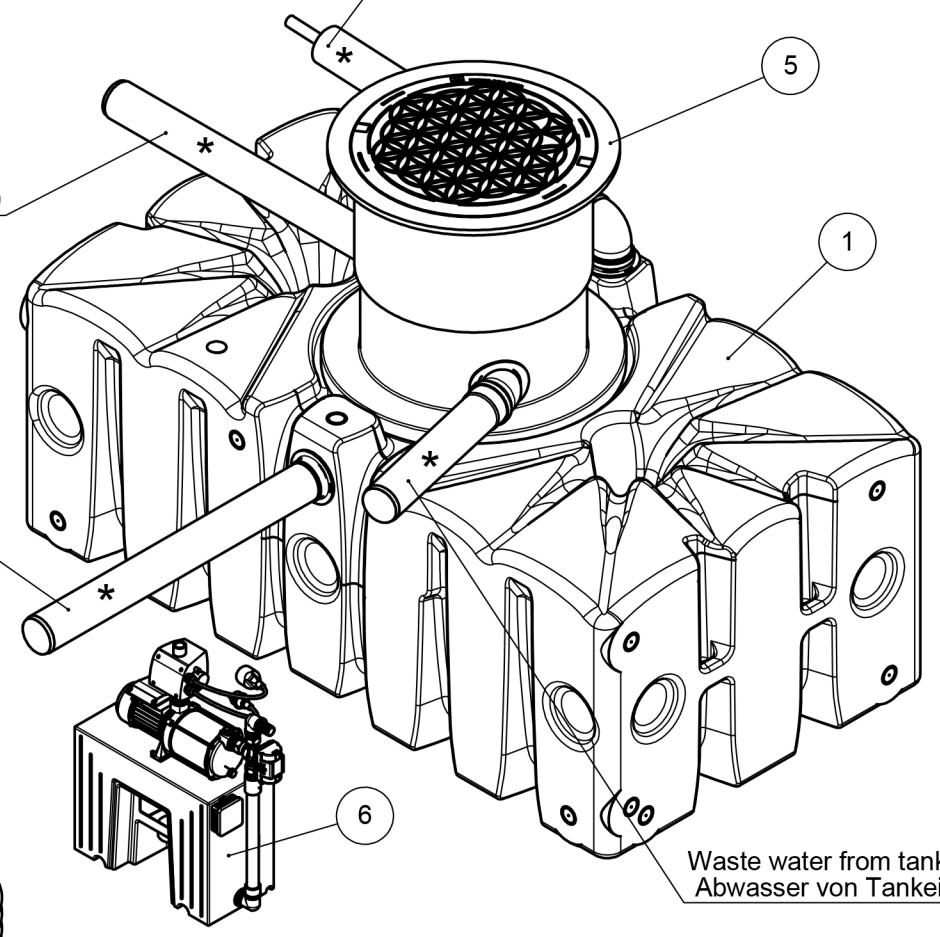


SCALE 1 : 20

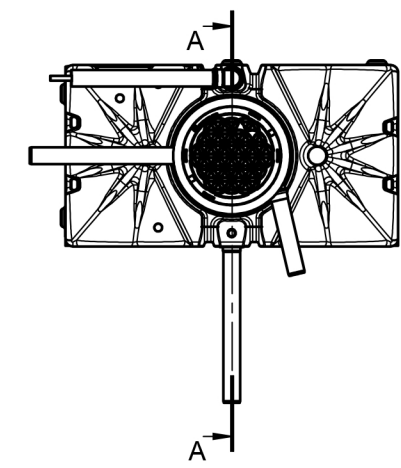
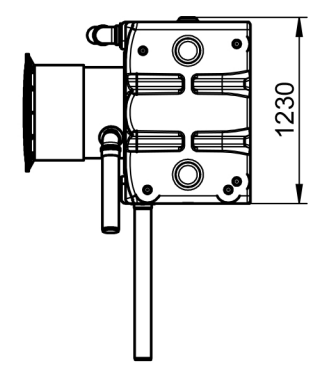
Water outlet connection from submersible pump /
Wasser-Auslassanschluss von Tauchpumpe

Rainwater inlet DN110/
Regenwasser Zulauf DN110

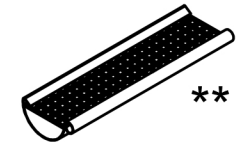
Sewer connection DN110/
Kanalanschluss DN110



Waste water from tank filter /
Abwasser von Tankeinbaufilter



DIN 110 pipe fittings used in installations/
DIN 110 Rohrverschraubungen werden in den Installationen verwendet.

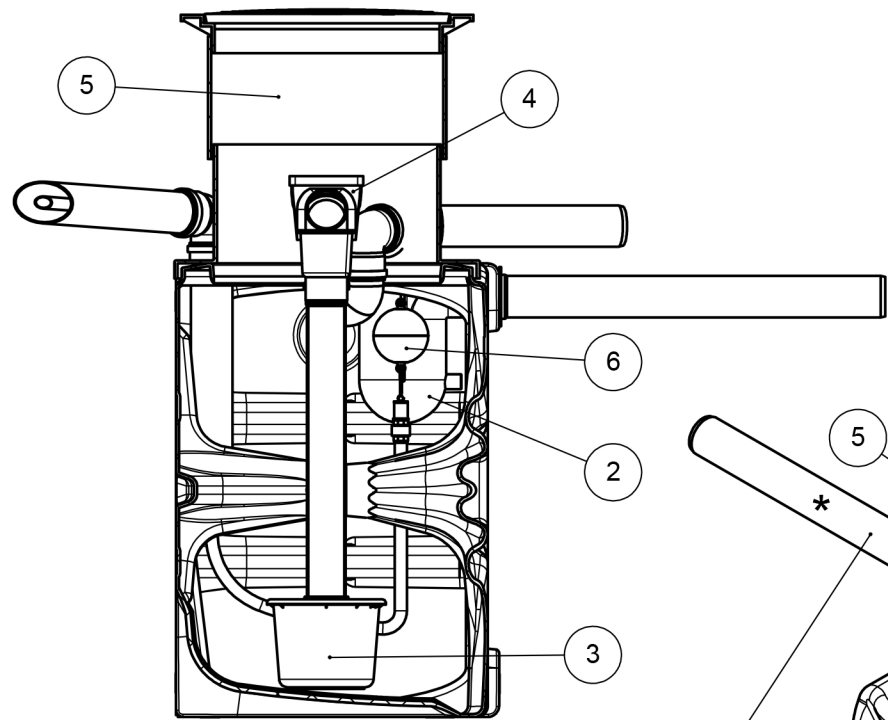


* The represented pipe sections are not included in scope of supply/
Dargestellte Verrohrung ist nicht im Lieferumfang enthalten

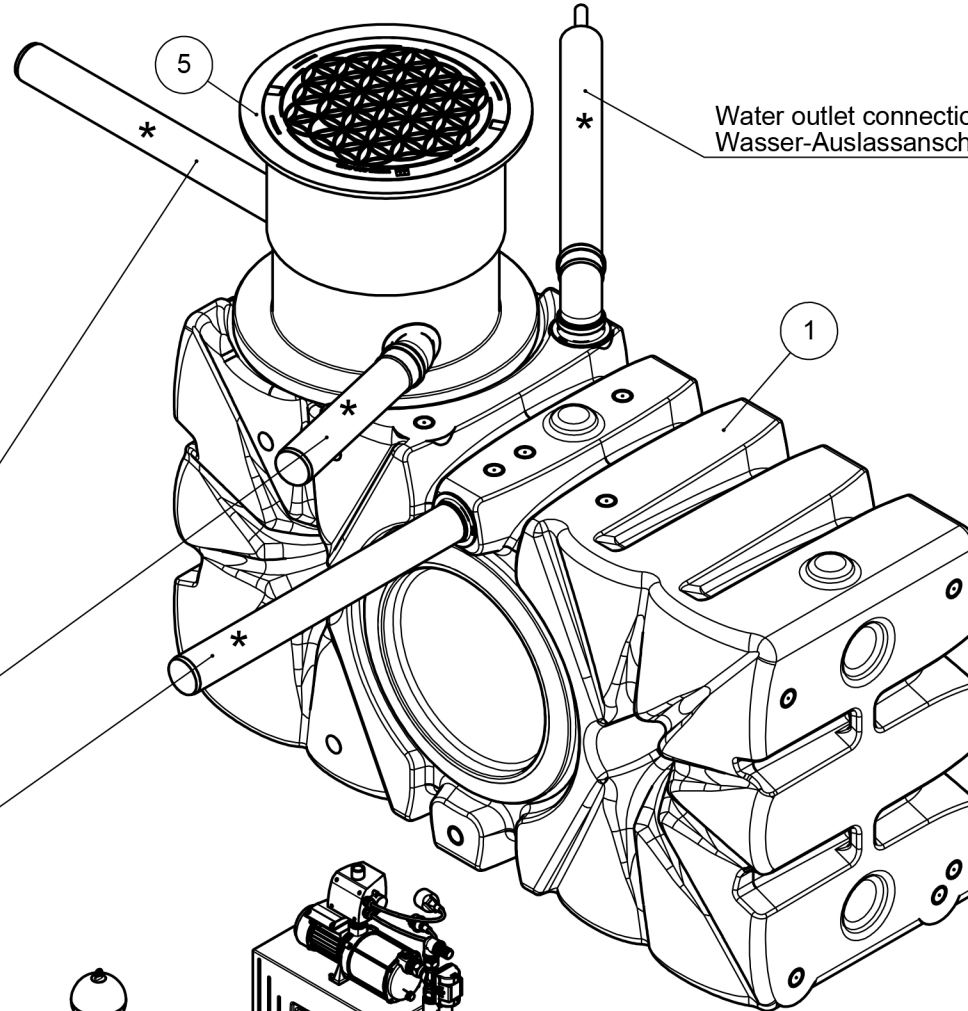
** Only roof gutter grid (34 pieces / 20 m approx.) is included in the scope of supply/
Gitterrost für Dachrinne (34 Stücke / 20 m ca.) im Lieferumfang enthalten

	ACO Hochbau Vertrieb GmbH	technical reference: Bartsch, Martin	drawing-no.: 1028180-M	index: 001	documenttype: marketing drw.
		created by: mbartsch	reviewed by: mbartsch	projection:ISO-E 	scale: 1:50
title: ACO Rain4me Complete product house and garden professional flat tank 2000l lying Komplettprodukt Haus und Garten Professional Flachtank 2000l liegend					serial-released
The reproduction, distribution and utilization of this document as well as the communication of its contents to others without express authorization is prohibited. Offenders will be held liable for the payment of damages. All rights reserved in the event of the grant of a patent, utility model or design. Observe copyright by ISO 16016				release date: 2017-05-10 11:43	sheet: 1/1

A-A
90,00°
1 : 20



SCALE 1 : 20



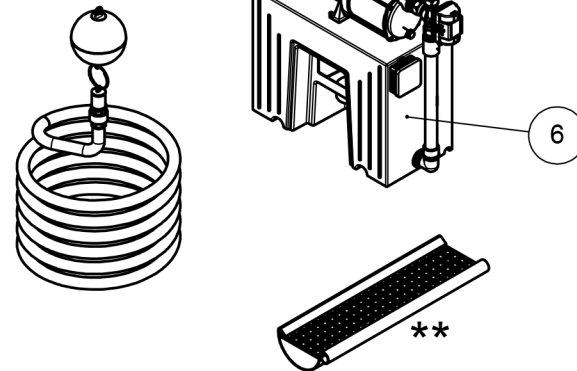
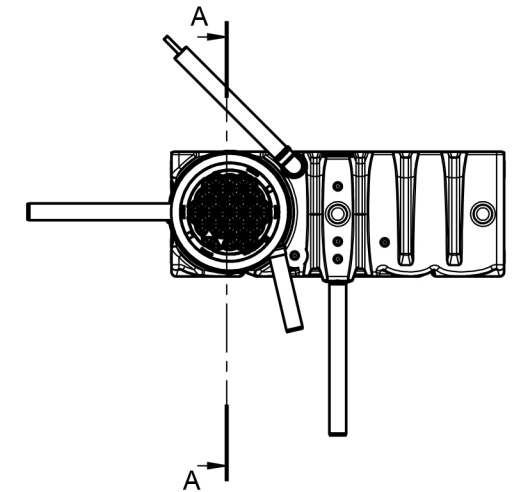
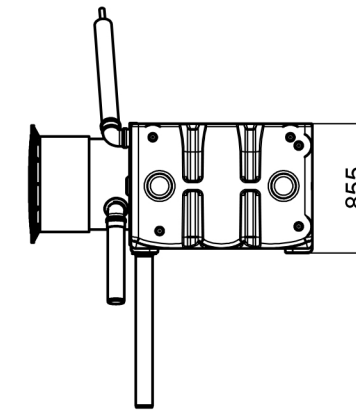
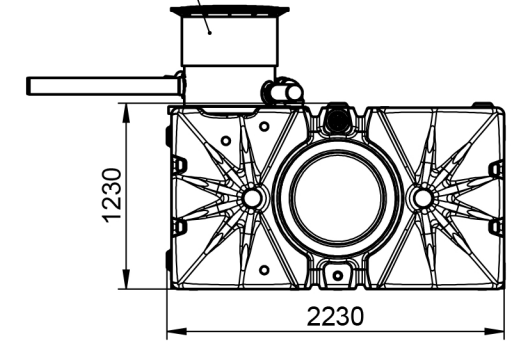
Rainwater inlet DN110/
Regenwasser Zulauf DN110

Waste water from tank filter /
Abwasser von Tankeinbaufilter

Sewer connection DN110/
Kanalanschluss DN110

Water outlet connection from submersible pump /
Wasser-Auslassanschluss von Tauchpumpe

Height adjustable from 600 to 695 mm /
Höhe einstellbar von 600 bis 695 mm



DIN 110 pipe fittings used in installations/
DIN 110 Rohrverschraubungen werden in
den Installationen verwendet.

* The represented pipe sections are not included in scope of supply/
Dargestellte Verrohrung ist nicht im Lieferumfang enthalten

** Only roof gutter grid (34 pieces / 20 m approx.) is included in the scope of supply/
Gitterrost für Dachrinne (34 Stücke / 20 m ca.) im Lieferumfang enthalten

Pos.	Item name_Global	Item name_Local	Article No.	1028192/QTY.
1	Flat tank 2000l standing	Flachtank 2000l stehend	103000	1
2	Overflow siphon with rhodent protection	Ueberlaufsiphon mit Tierschutz, gekuerzt	103201	1
3	Inlet flow turbulence reducer	Zulaufberuhiger	103211	1
4	Tank filter	Tankeinbaufilter	103210	1
5	Walkable cover, set high	Begehbare Abdeckung, Set hoch	103101	1
6	Fully automated rainwater management, set	Vollautomatisches Regenwassermanagement, Set	103153	1

	ACO Hochbau Vertrieb GmbH	technical reference: Bartsch, Martin	drawing-no.: 1028192-M	index: 001	documenttype: marketing drw.
		created by: mbartsch	reviewed by: mbartsch	projection:ISO-E 	scale: 1:50
title: ACO Rain4me Complete product house and garden professional flat tank 2000l standing Komplettoprodukt Haus und Garten Professional Flachtank 2000l stehend					serial-released
The reproduction, distribution and utilization of this document as well as the communication of its contents to others without express authorization is prohibited. Offenders will be held liable for the payment of damages. All rights reserved in the event of the grant of a patent, utility model or design. Observe copyright by ISO 16016				release date: 2017-05-10 12:00	sheet: 1/1