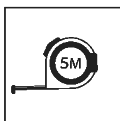
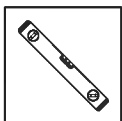
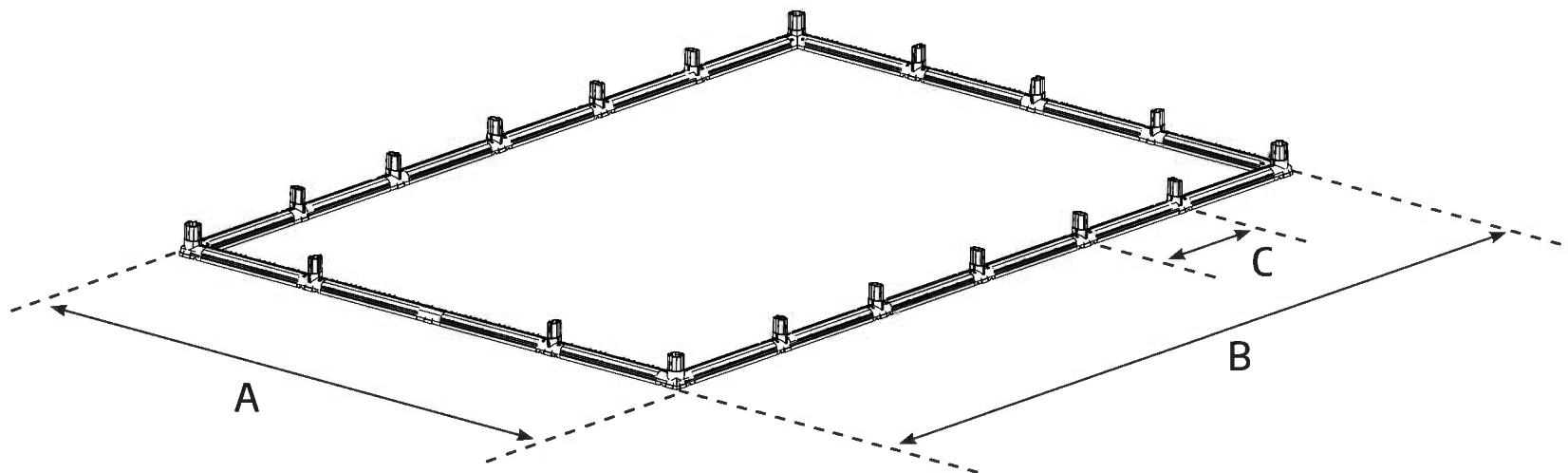




# BASE DIMENSIONS GRAND GARDENER | PRESTIGE SERIES



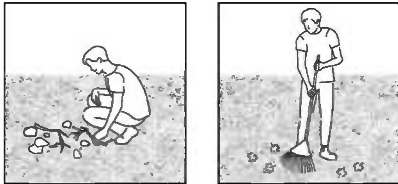
MODELS	WIDTH		LENGTH		EXTENSION MODULE	
8x8 / 2.7x2.7	A	259.5 cm / 6'12"	B	264 cm / 5'11"	C	-
8x12 / 2.7x4				388 cm / 8'		125 cm / 4'11" (x2)
8x16 / 2.7x5				513 cm / 10'1"		125 cm / 4'11" (x4)
8x20 / 2.7x6.4				638 cm / 12'1"		125 cm / 4'11" (x6)

# SITE PREPARATION & FOUNDATION

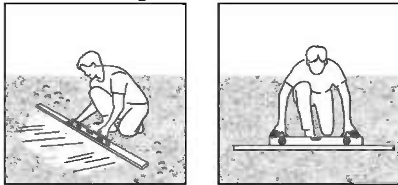
## A - PREPARE THE SITE

The product must be built on a **solid and leveled** surface in order to perform properly.

### 1 - Clear the site



### 2 - Level the ground



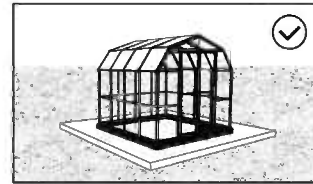
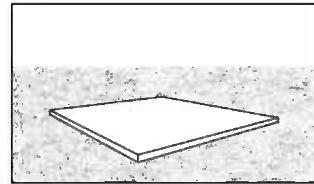
### IMPORTANT

We recommend checking for restrictions or covenants for building this product in your area. In addition we advise to check if you need to submit any forms or if any permit is required prior to building the product.

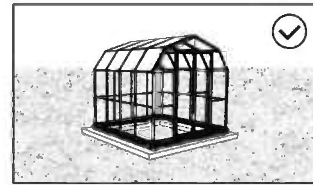
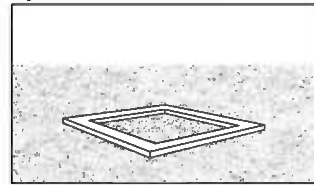
## B - CHOOSE YOUR FOUNDATION TYPE

For a base, we recommend using three material types :  
Concrete | Pressure treated wood / wood deck | Paver blocks

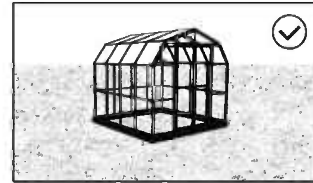
### Option 1: Solid base



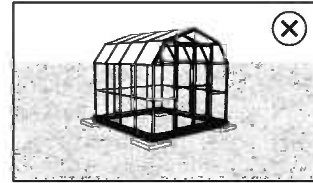
### Option 2: Solid frame



### Option 3: Firm ground / grass

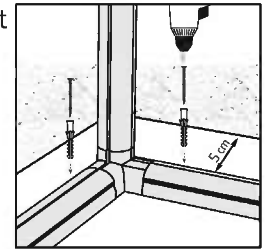


\* The size of the greenhouse displayed is for illustration purposes only and may not reflect the size of your greenhouse.

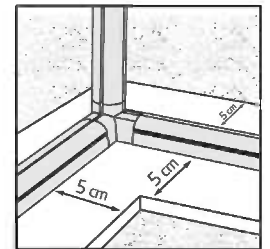


## C - ANCHOR TO FOUNDATION

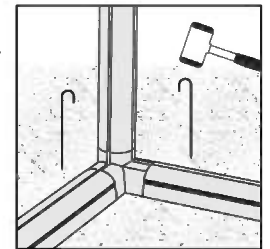
**On a solid base**, secure the product to the foundation of your choice, using suitable screws & plugs or masonry anchors (not supplied).



**On a solid frame**, make sure you have at least 5 cm | 2" between the product frame and the edges of your foundation - **on all sides**.



**On soil / grass**, secure the product to the ground surface using suitable long pegs (not supplied).



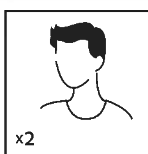
## SAFETY ADVICE

- It is of utmost importance to assemble all of the parts according to the directions. Do not skip any steps.
- We strongly recommend using work gloves during panel sliding.
- Always wear shoes and safety goggles when working with extruded aluminium.
- If using a step ladder or power tools make sure that you follow the manufacturer's safety advice.
- Do not touch overhead power cables with the aluminium profiles.
- Do not attempt to assemble the product in windy or wet conditions.
- Dispose of all plastic bags. Keep them out of reach of small children.
- Keep children away from the assembly area.
- Do not lean against or push the products during construction.
- Do not position your product in an area exposed to excessive winds.
- Do not attempt to assemble this product if you are tired, have taken drugs or alcohol or if you are prone to dizzy spells.
- Hot items such as recently used grills, blowtorches etc. must not be stored in the product.
- Make sure there are no hidden pipes or cables in the ground before inserting the pegs.
- This product is designed to be used mainly as a greenhouse.
- **Please Note:** We strongly recommend anchoring the product directly to a solid foundation to increase the product's stability and wind resistance in areas with severe weather conditions. Make sure that there are no obstructions between the assembly area and the final position of the product. The Palram - Canopia Anchoring kit is available for purchase separately.

## CARE & MAINTENANCE

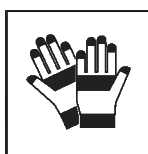
- When your product needs to be cleaned, use a mild detergent solution and rinse with cold clean water.
- DO NOT use acetone, abrasive cleaners or other special detergents to clean the panels.
- Clean the product once assembly is complete.

## TOOLS & EQUIPMENT

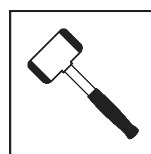


2 people needed

x2



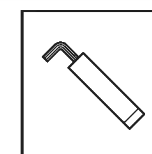
Work gloves



Rubber Mallet



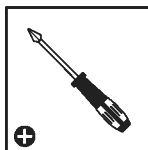
Wrench  
10 mm | 3/8"



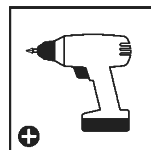
GT1 (Supplied)



Ladder



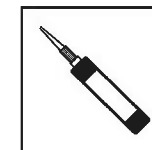
Phillips head  
Screwdriver



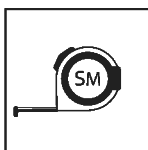
Cordless drill  
Phillips head



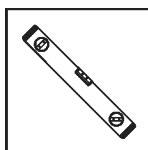
Wrench  
7 mm | 1/4"



Silicone



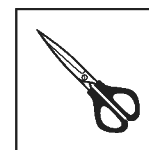
Tape measure



Spirit Level



Needle Nose  
Pliers



Scissors

## BEFORE ASSEMBLY

1. Selecting a site:
  - The product must be positioned and fixed on a flat level surface.
  - Choose a sunny position away from overhanging trees.
2. We strongly recommend this product be secured directly to a solid foundation.
3. This is a multi-part assembly best accomplished by two people. Allow at least half a day for the assembly process.
4. Take all components and parts out of the packages. Sort the parts and check against the parts list.
5. Parts should be laid out close at hand. Keep all small parts (screws etc.) in a bowl so they do not get lost.
6. Please note multi-sided profiles are used in this greenhouse. As a result some holes in the profiles are not used during assembly.
7. Please review the entire instructions before starting. Carry out the assembly steps in the exact order they are described.
8. Please consult your local authorities if any permits are required prior to constructing the product.
9. The drawings in this manual are designed for an 8x8 / 2.7x2.7 product.

## IMPORTANT RECOMMENDATIONS

- Firmly connect the product to a level surface immediately after completion of the assembly.
- Anchoring this product to the ground is essential to its stability and rigidity. It is required to complete this stage in order for your warranty to be valid.
- During assembly use a soft surface below the parts to avoid scratches and damages.
- Tighten all screws once assembly is completed.
- The instructions apply to both the Clear and Opaque Greenhouses. Assemble according to the product you purchased.
- If you purchased a base Kit or received with the Prestige, assemble it before assembling the product!

## DURING ASSEMBLY

- During assembly, you will encounter different icons for different products. Please see below for more information:



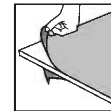
- During assembly you will encounter the information icon, please refer to the relevant assembly step for additional comments and assistance.



- You may use silicone lubricant spray on the frame in order to help you slide the panels into the profiles. Do not spray the Polycarbonate panels themselves.



- Use a rubber mallet if necessary.



- Make sure you remove covering plastic film from both sides of the panel.



- All panels with the stamped words "THIS SIDE OUT" must be facing out to achieve full UV protection. Remove plastic sticker as panels are locked in place.



- This icon indicates that the installer should be inside the product.



- This icon indicates that the installer should be outside the product.



- Steps marked with dashed outlines refer to Extensions only.
- Some of the steps are irrelevant for an assembly of a single product.
- When assembling a single or an extended product, some parts may be surplus.






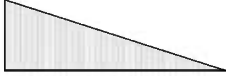

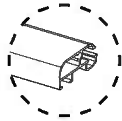
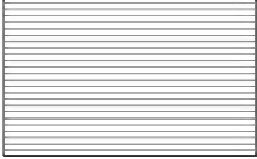


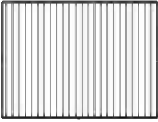
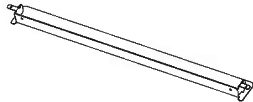


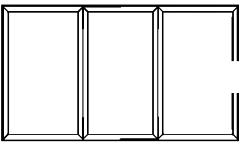

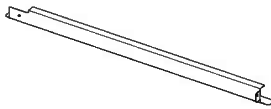

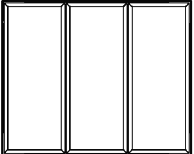

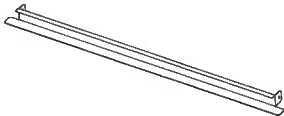


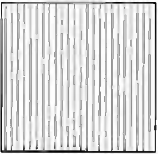




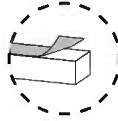

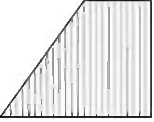

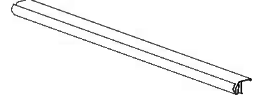

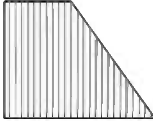

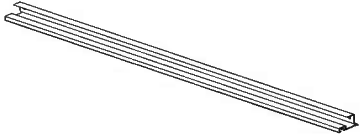
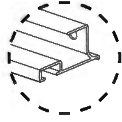
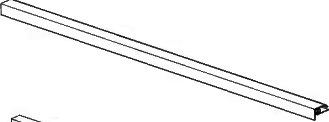
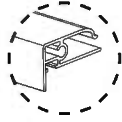
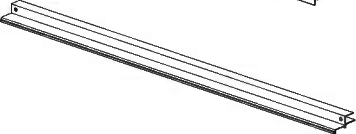
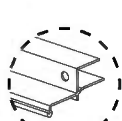
## IMPORTANT ASSEMBLY STEPS

**When encountering this information icon during assembly, please refer to the relevant assembly step for important additional comments.**

- Steps 2-5:** Arrange all 2D connectors with the stamped word OUT facing the outside of the greenhouse.
- Step 6:** Make sure that the frame is perfectly rectilinear by measuring the diagonals and verifying that they are the same.  
Make sure that the frame is level and anchor it with screw / screw + ancore / spike (not included) according to the selected surface.  
If you also purchased a base kit, it must be assembled and anchored to the surface at this point (according to the instructions in the base Kit packaging).
- Step 10:** Assemble each wall (1. panel 2. profile 3. connector) completely before moving on to the next wall, according to the method described in **steps 8-9**.
- Steps 13-14:** Pay attention to the direction of **part C10**.
- Step 17:** Assemble each wall (1. panel 2. profile 3. connector) completely before moving on to the next wall, according to the method described in **steps 15-16**.
- Steps 46-49:** Panels are inserted between **RA1 and RC3**.
- Step 51:** Before connecting to the profiles, the connectors should be pressed until a hinge is formed.

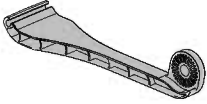
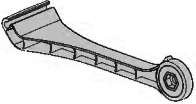
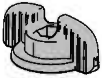







- Step 52:** Make sure the connector is tight - **Drawing B**.
- Step 53:** Make sure the connector is tight - **Drawing C**.
- Step 54:** Fully assemble one side, then begin the other side.
- Step 55:** Do not connect the corner that is not marked in the illustration!
- Step 57:** The door opening can be reversed by mounting the handle on the opposite door.
- Step 58:** Do not connect the corner that is not marked in the illustration!
- Step 64:** **Part #7273** should be assembled on the side to which the door opens with the handle.
- Step 67:** If the window doesn't close properly, please release the screws, adjust the profile and re-tighten the screws.
- Step 69:** This step refers only to Grand Gardener / Prestige - Clear.

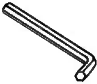
# Contents


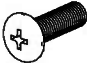











Item		Qty.	Item		Qty.	Item		Qty.	
PN2A		8	7537		2	7446	 	4	
PN40A		7	7538		2	7548		4	
PN61		2	7536		1	7549	 	6	
PN126 OR 7629	 OR 	4		7534		1	7551		6
PP1 OR PN60	 OR 	28		7535		1	7556	 	10
586		1		7533		1	7554		10
7540		1		300	 	1	SR1		2
PN73L		2		465		4	7552	 	16
PN73R		2		422		4	991	 	1
							992	 	2
							989	 	1



# Contents

Item		Qty.
8797		1
8798		1
8801		1
410		1
412		1
8799		1
8800		1
461		1 (+1)
466		1 (+1)
7441		1

AW5		1
-----	---	---

Item		Qty.
7224		22
4016		4
466		24
7279		5
423		8
425		4
7222		8
4008		4
7281		4
4043		30
AS70		6
HOOK1		3
CAB40		3

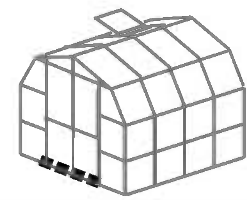
# Contents Extension Kit

Item	Qty.	Item	Qty.	Item	Qty.
PN2A	4	7549	4	C2D	4
PN40A	3	7551	4	51	2
PP1	8	7556	4	c5A	2
PN60		7554	4	c10	4
586	1	7552	8	D2	2
7540	1	RC3	2	74	8
B2	4	RA1	2	SR	2
E6	4	991	1		
E28	8	992	2		
E2	18	989	1		

# Contents Extension Kit

Item	Qty.	Item	Qty.
7536	1	8797	1
7534	1	8798	1
7535	1	8801	1
7533	1	410	1
300	1	412	1
465	4	8799	1
422	4	8800	1
4008	4	461	1 (+1)
4043	12	466	1 (+1)
AS70	4	7441	1
HOOK1	2	PIN1	160
CAB40	2	GT1	1

1



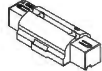
B2 ..... 2



SR1 ..... 2



c15 ..... 1



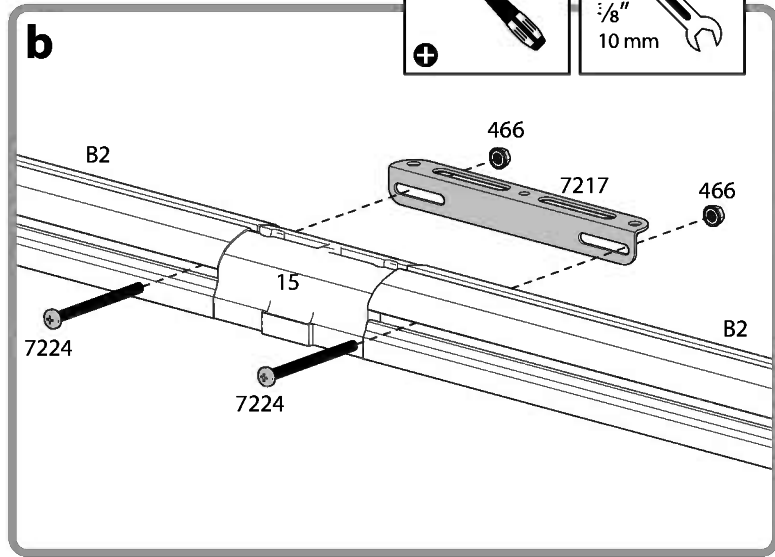
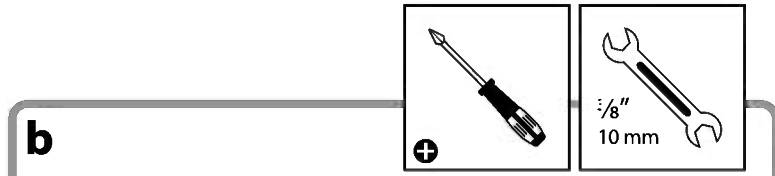
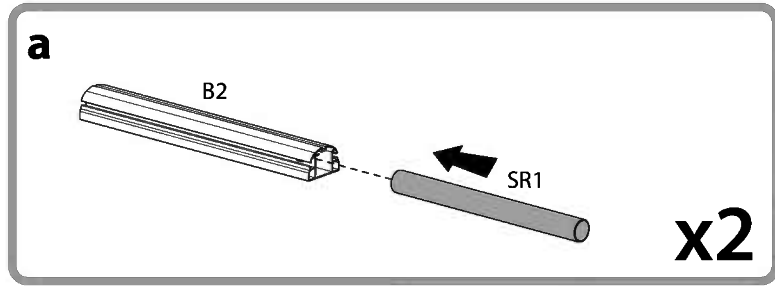
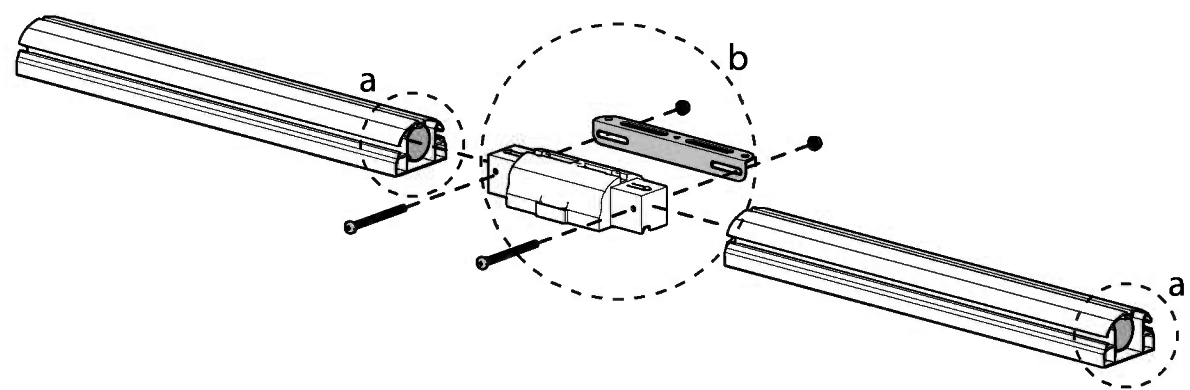
7217 ..... 1



466 ..... 2



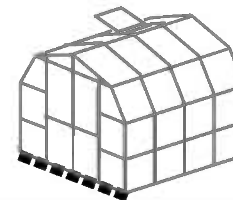
7224 ..... 2



2



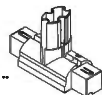
Arrange all 2D connectors with the stamped word OUT facing the outside of the greenhouse.



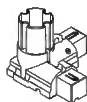
B2 ..... 2



C2D ..... 2



c1 ..... 2



7217 ..... 2



466 ..... 4



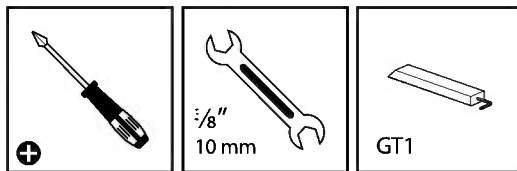
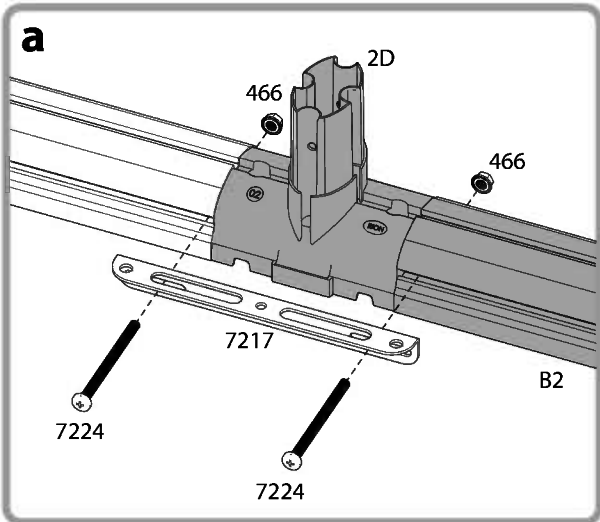
7224 ..... 4



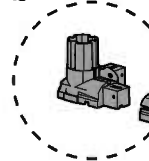
PIN1 ..... 4



a



b



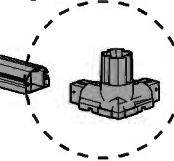
a



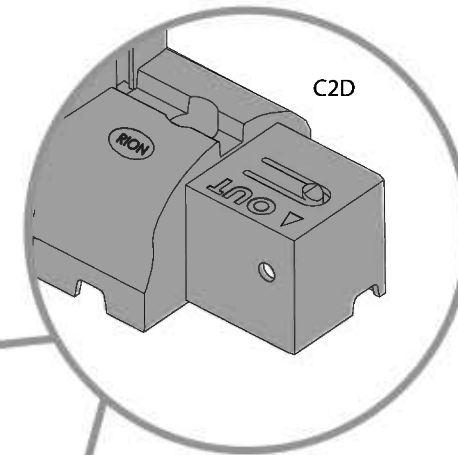
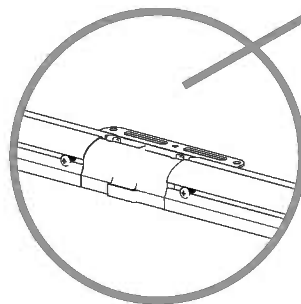
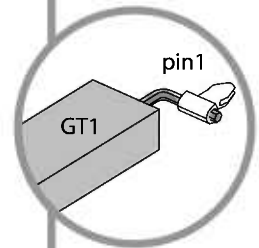
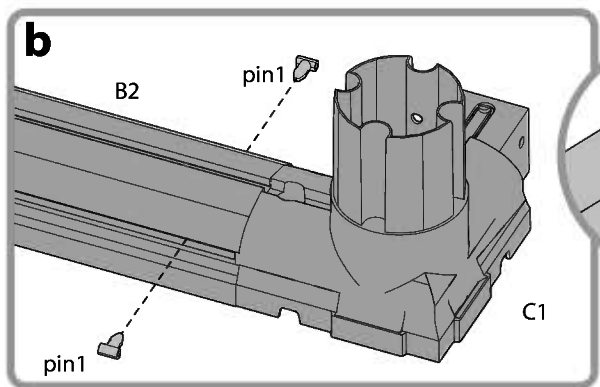
a



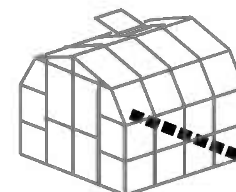
b



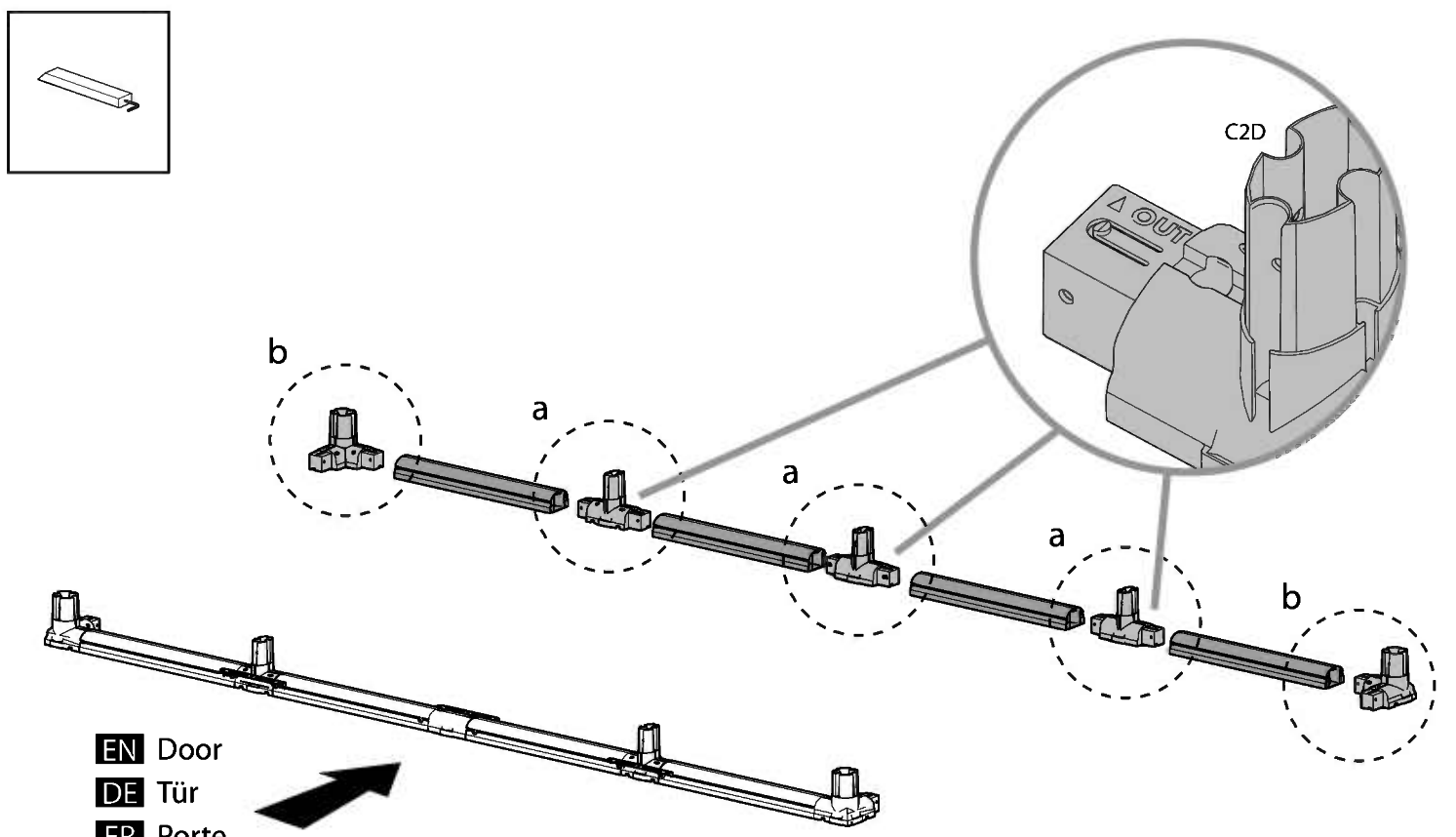
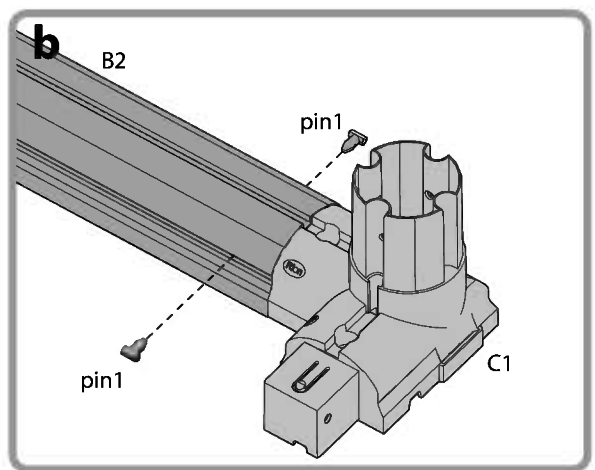
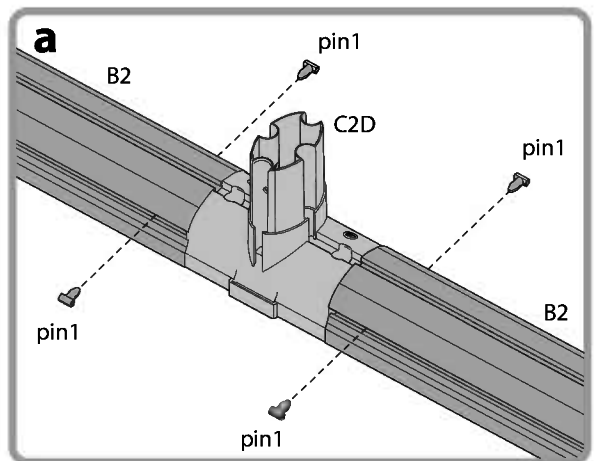
b







**3** **i** Arrange all 2D connectors with the stamped word OUT facing the outside of the greenhouse.



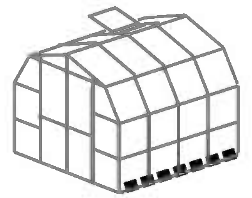
- EN** Door
- DE** Tür
- FR** Porte
- ES** Puerta



4



Arrange all 2D connectors with the stamped word OUT facing the outside of the greenhouse.



B2 ..... 4



C2D ..... 3



PIN1 ..... 16

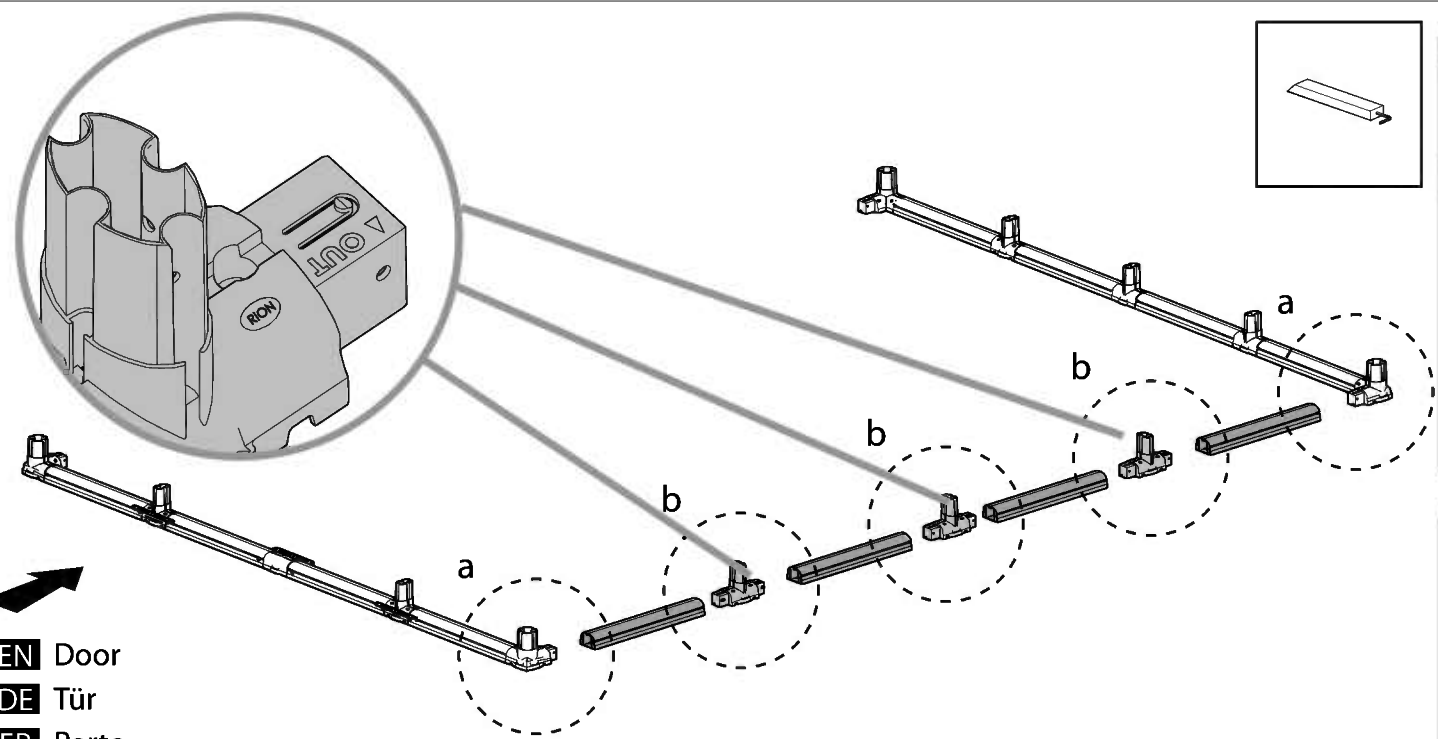


Extension Kit

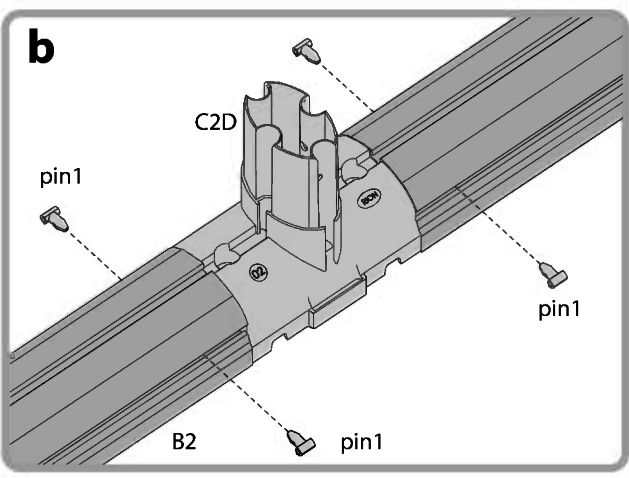
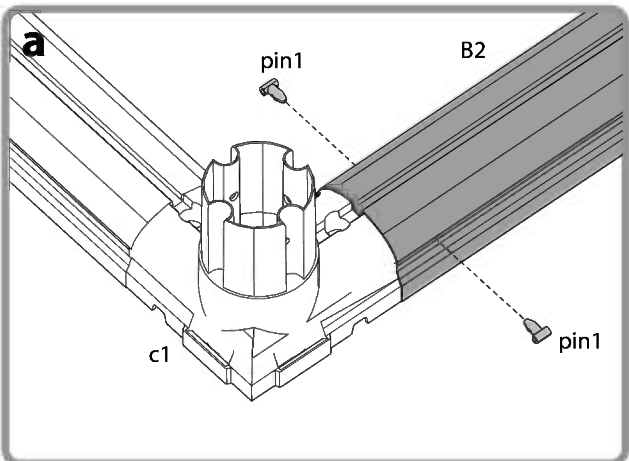
B2 ..... 1

C2D ..... 1

PIN1 ..... 2



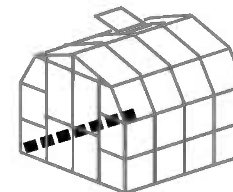
- EN** Door
- DE** Tür
- FR** Porte
- ES** Puerta



5



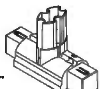
Arrange all 2D connectors with the stamped word OUT facing the outside of the greenhouse.



B2 ..... 4



C2D ..... 3



PIN1 ..... 16

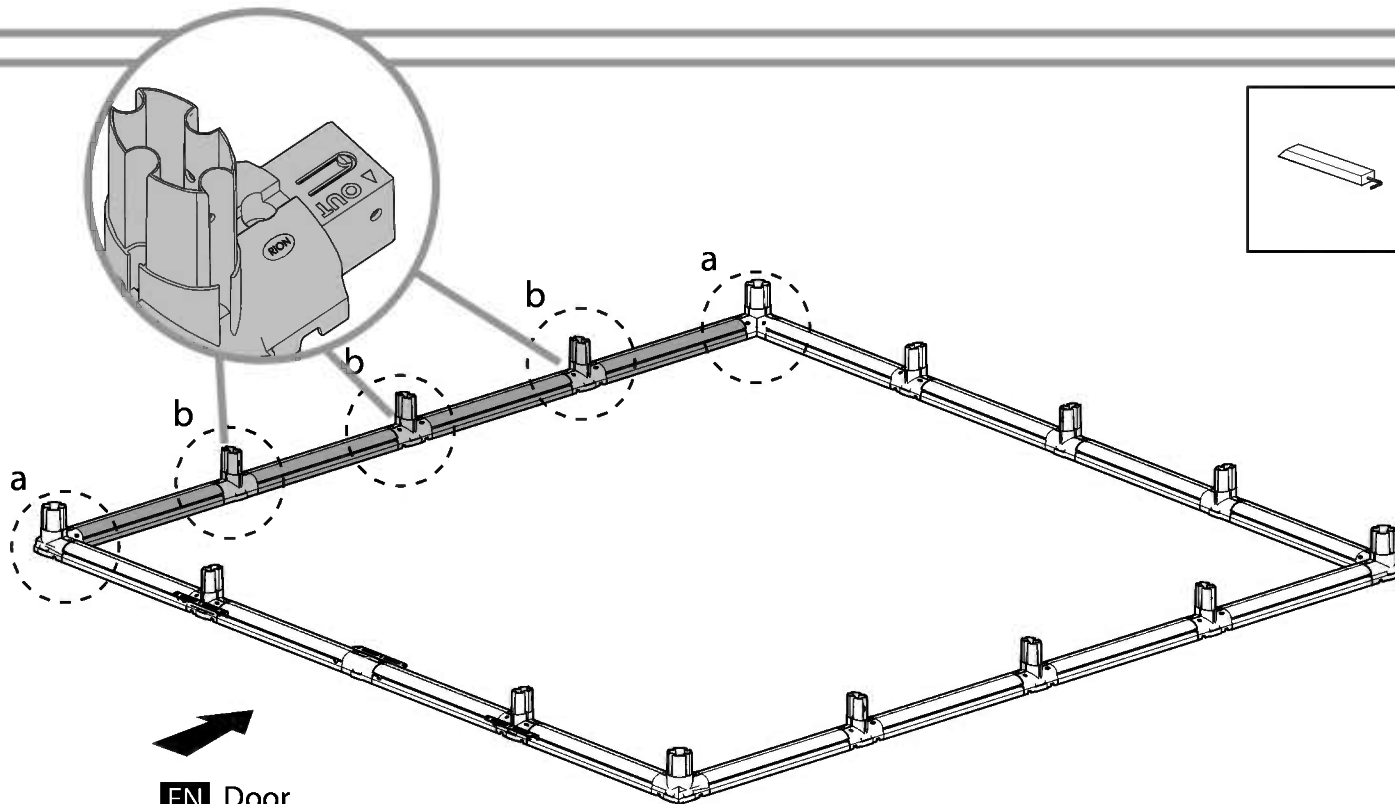


Extension Kit

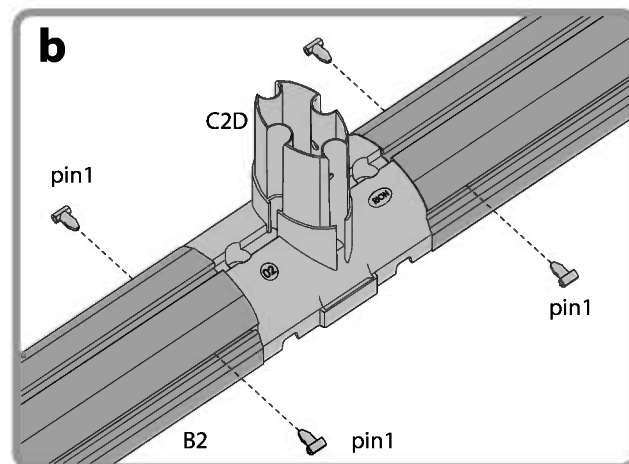
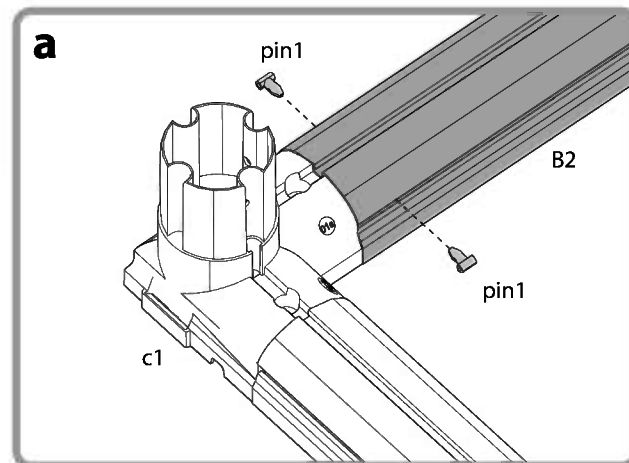
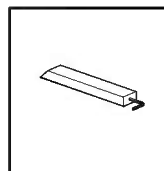
B2 ..... 1

C2D ..... 1

PIN1 ..... 2

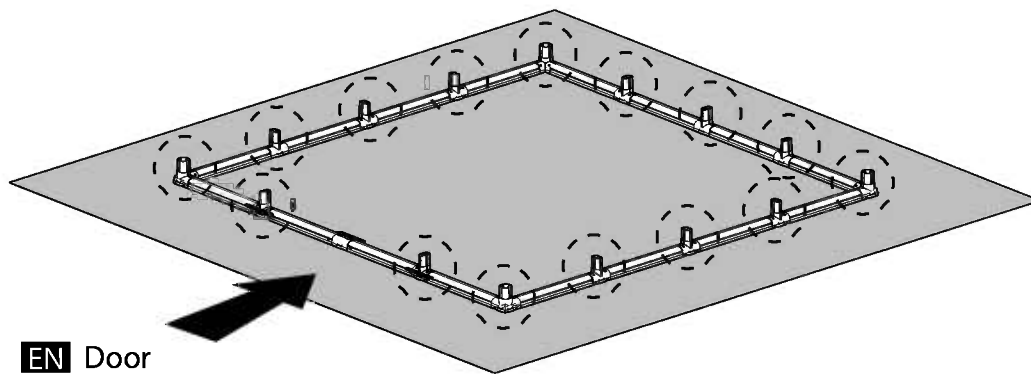
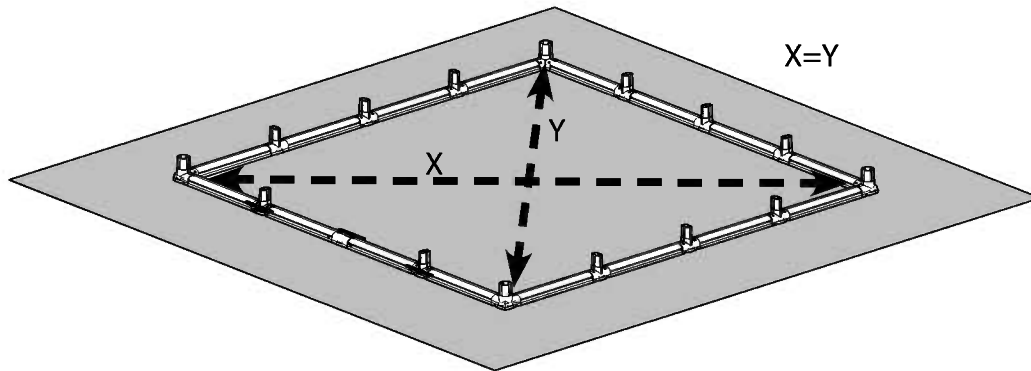
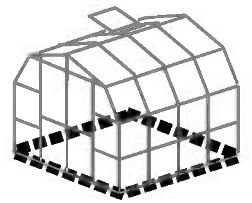


- EN** Door
- DE** Tür
- FR** Porte
- ES** Puerta

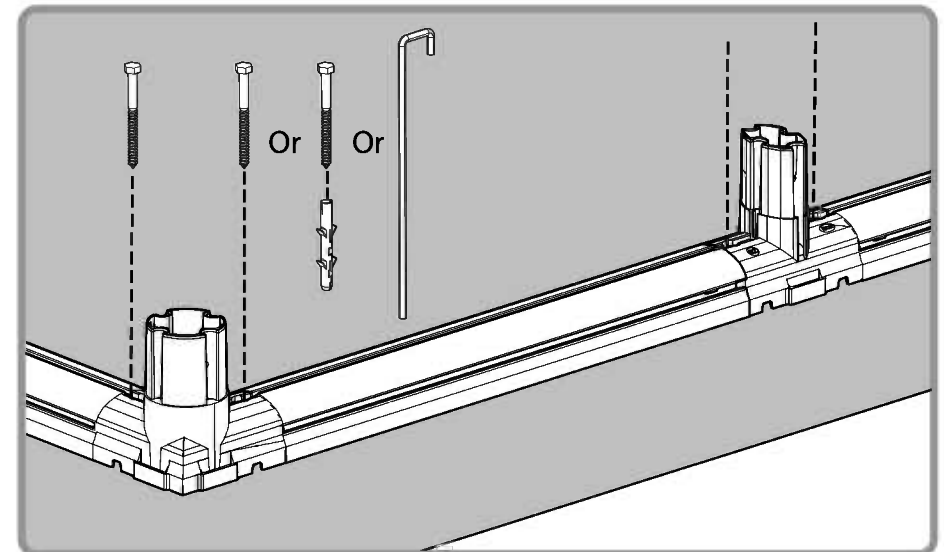


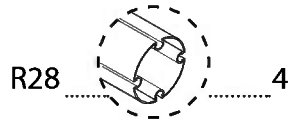
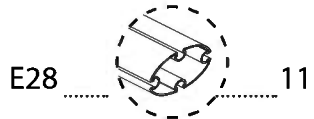
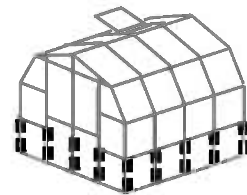
**6**

- Make sure that the frame is perfectly rectilinear by measuring the diagonals and verifying that they are the same.
- Make sure that the frame is level and anchor it with screw / screw + dibble / spike (not included) according to the selected surface.
- If you also purchased a base kit, it must be assembled and anchored to the surface at this point (according to the instructions in the base Kit packaging).



- EN** Door
- DE** Tür
- FR** Porte
- ES** Puerta

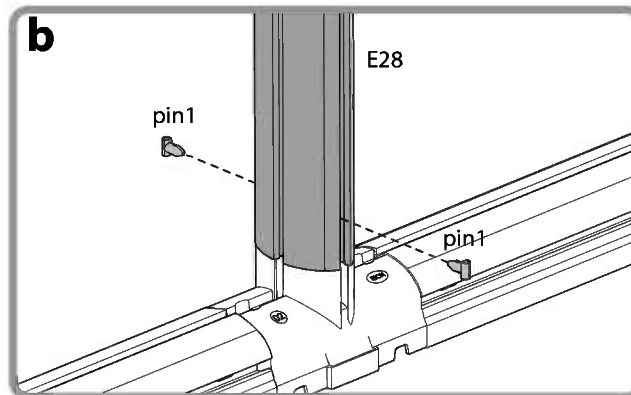
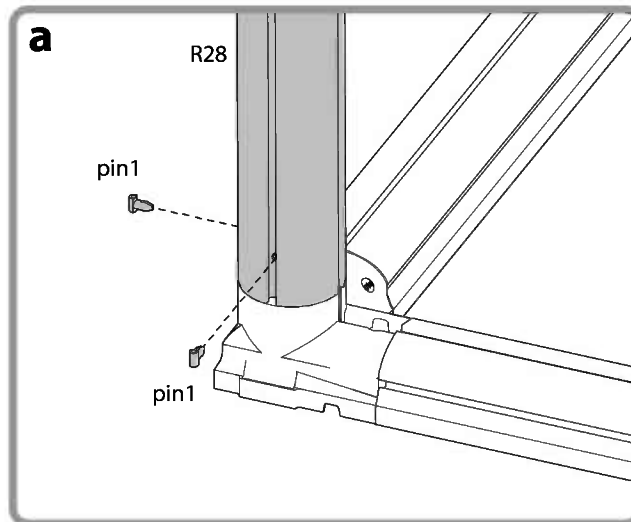
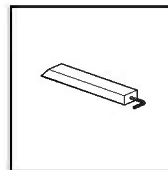
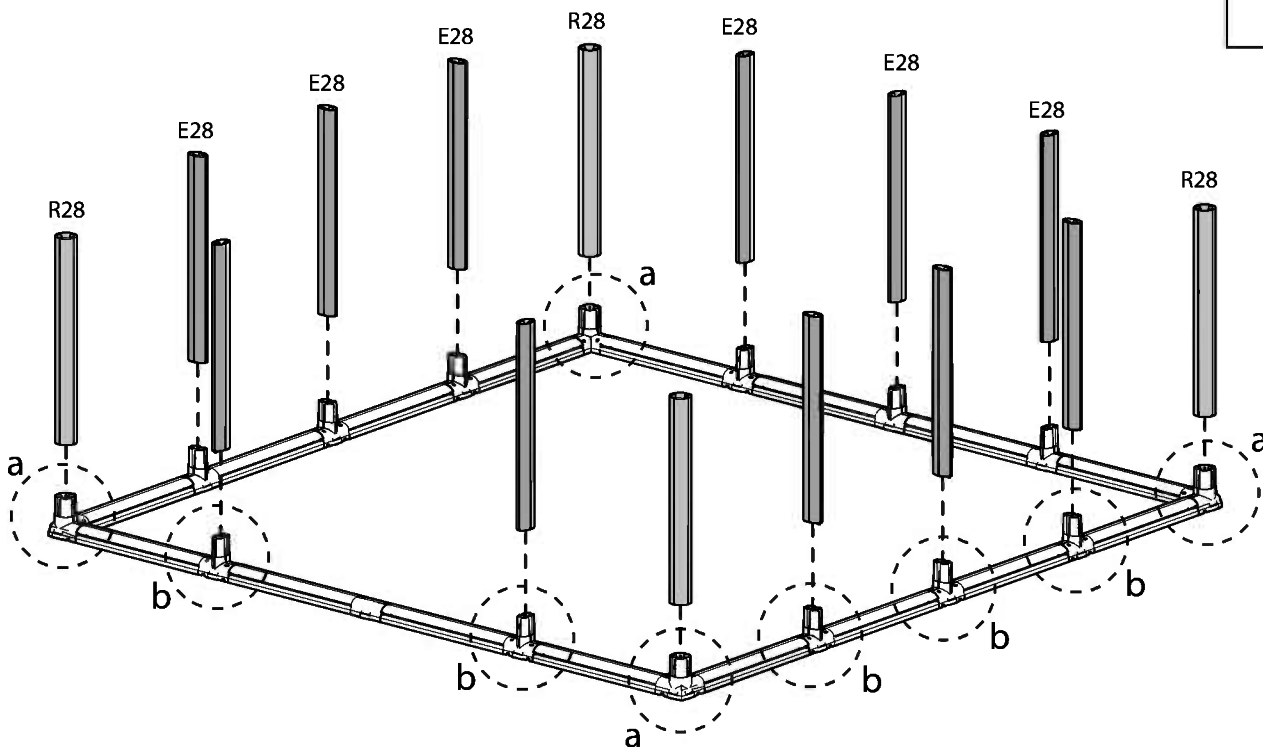


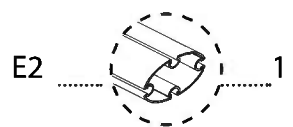
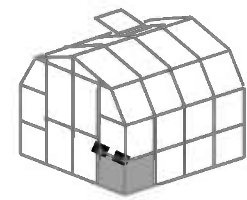


Extension Kit

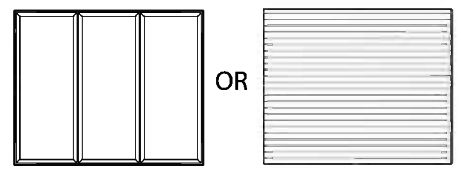
E28 ..... 2

PIN1 ..... 4





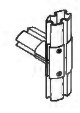
PP1/PN60



OR

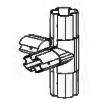
2

C09



1

C16

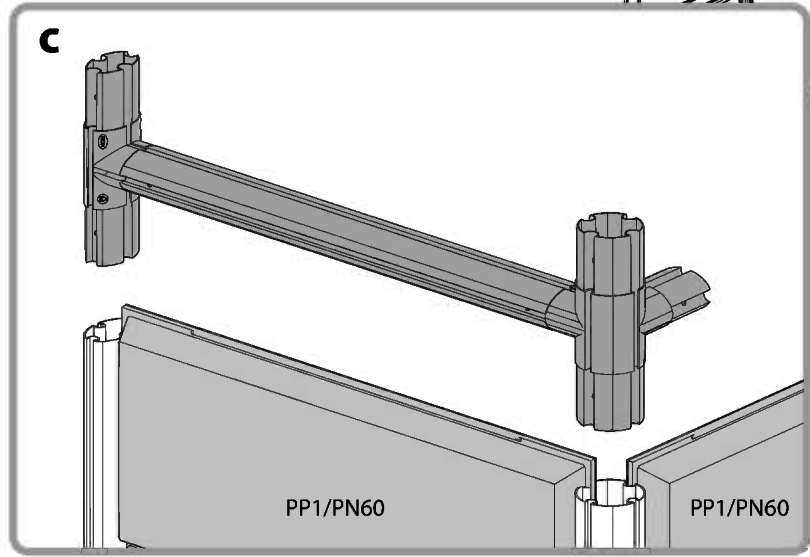
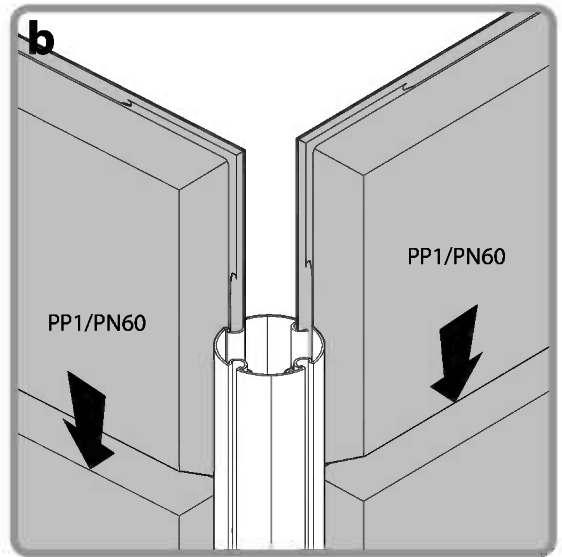
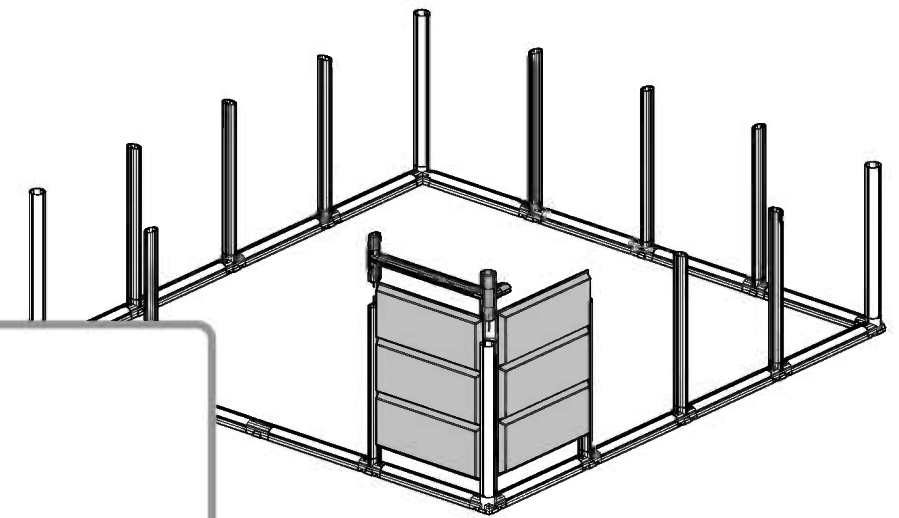
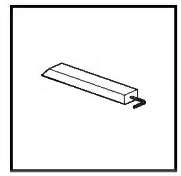
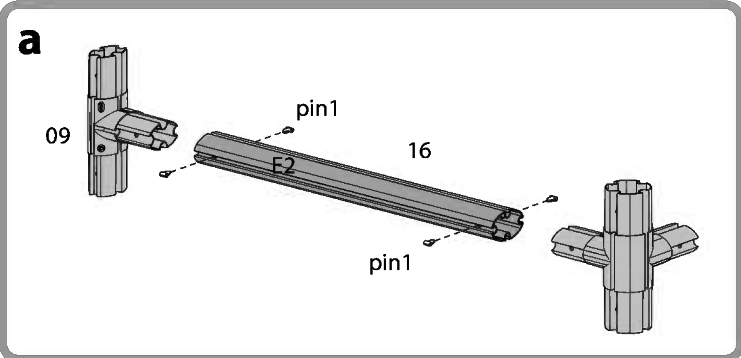


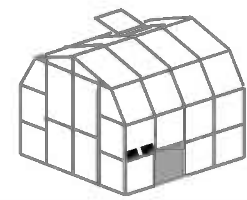
1

PIN1

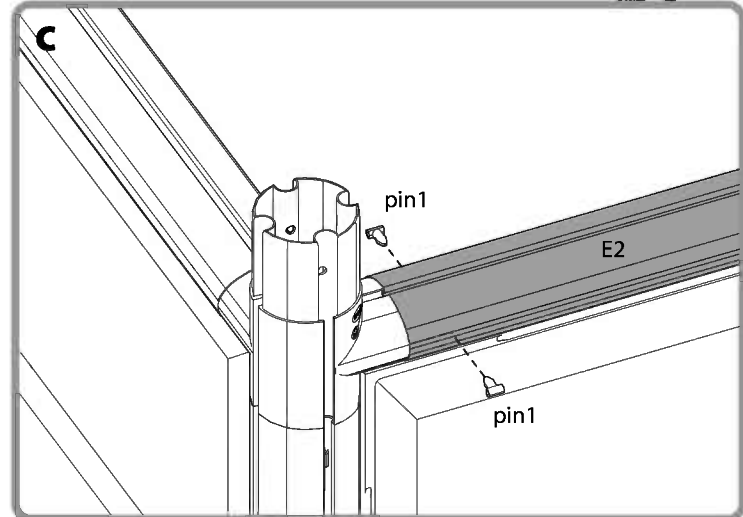
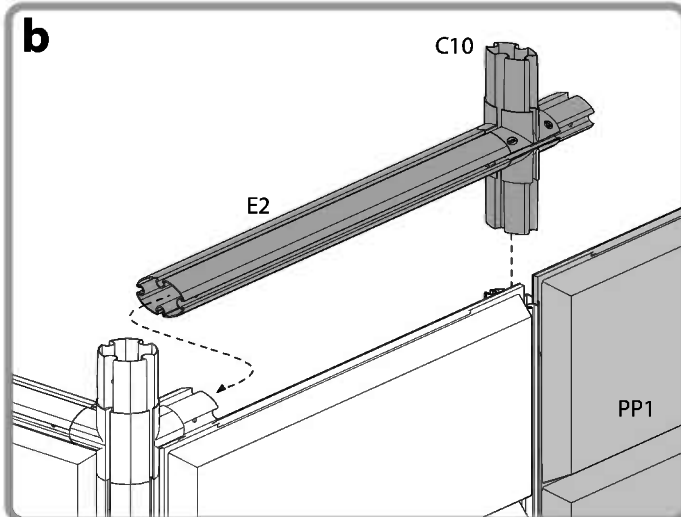
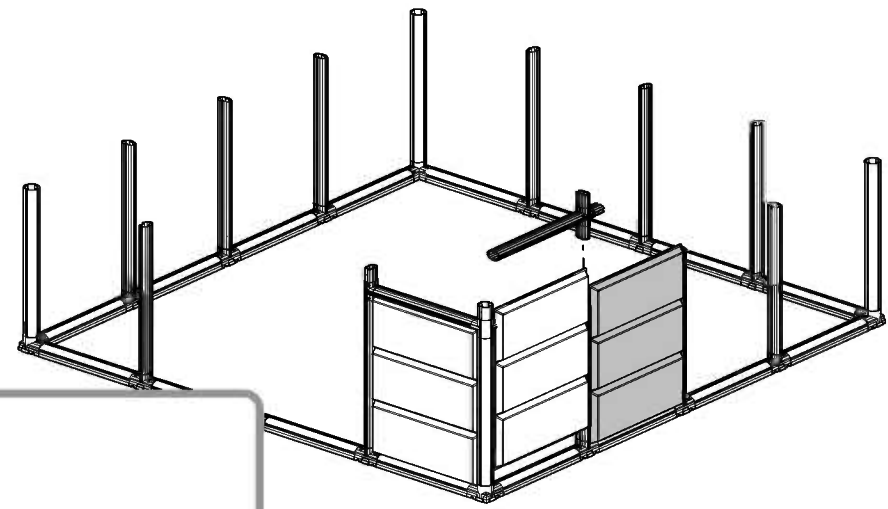
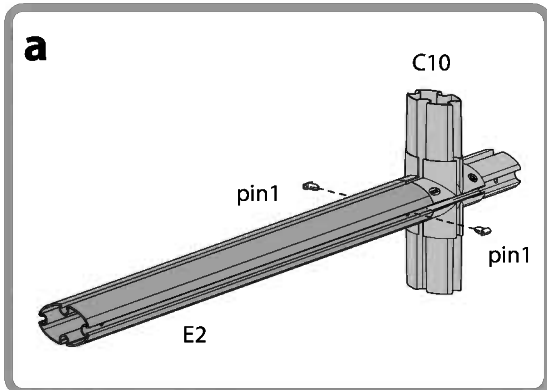


4





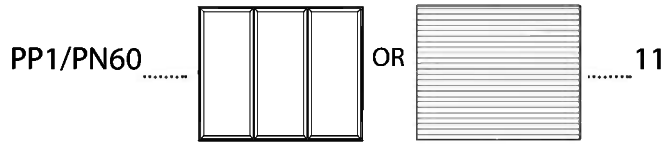
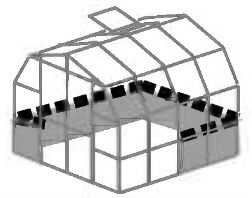
E2 ..... 1      PP1/PN60 ..... OR ..... 1      C10 ..... 1      PIN1 ..... 4



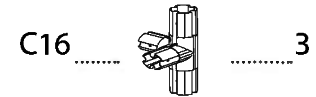
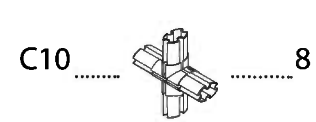
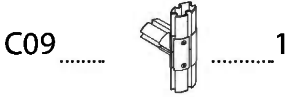
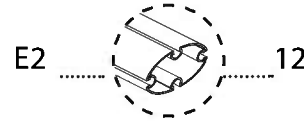
10



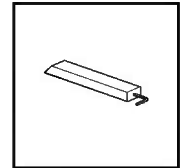
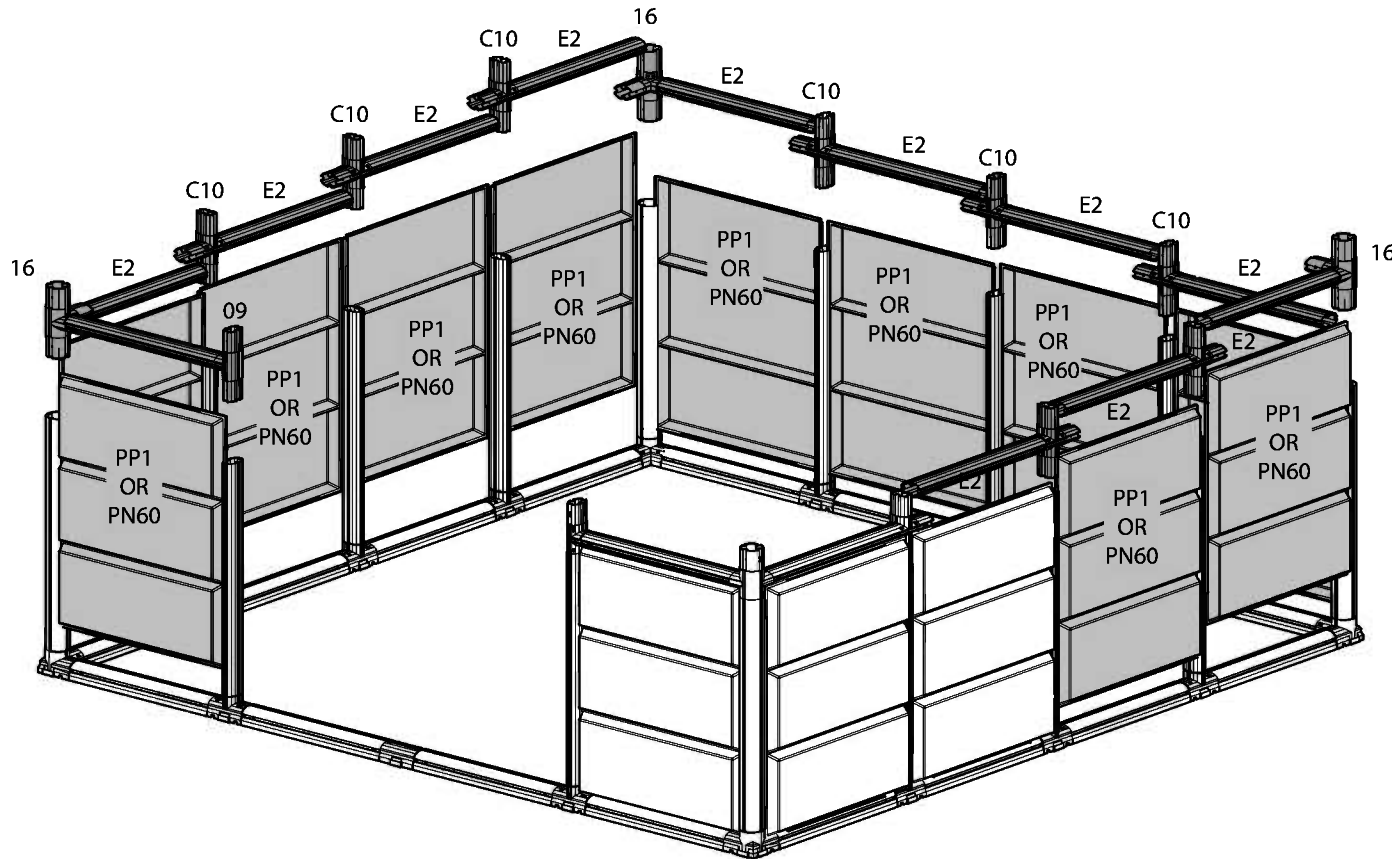
Wall's assembly must be done gradually: #1 insert the panel, #2 insert the profile and #3 insert the pin, in accordance with the drawings in steps 8 & 9.



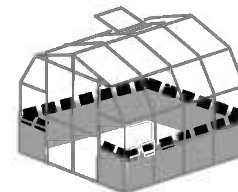
PIN1 ..... 48



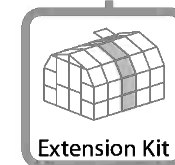
- E2 ..... 2
- PP1/PN60 ..... 2
- C10 ..... 2
- PIN1 ..... 4





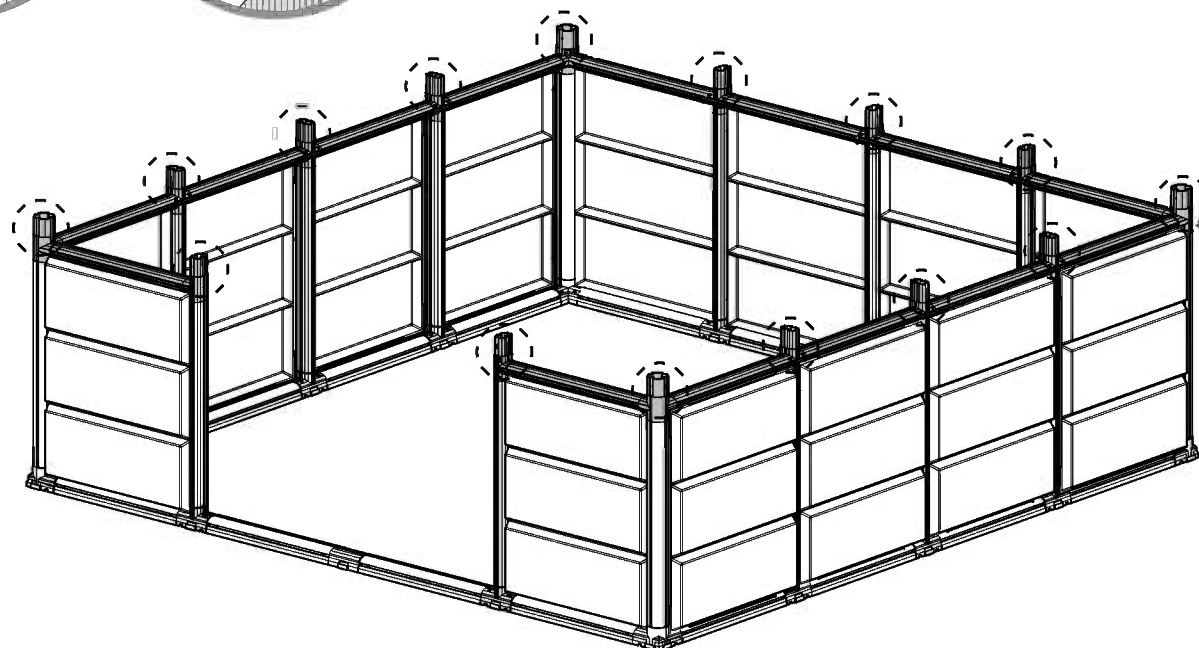
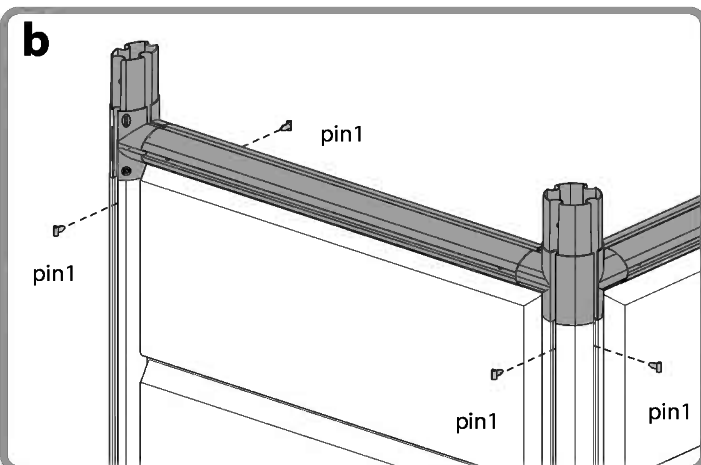
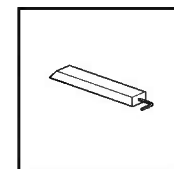
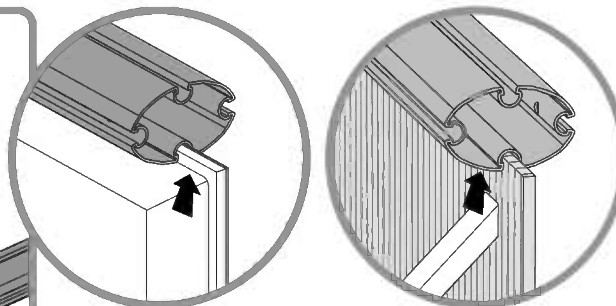
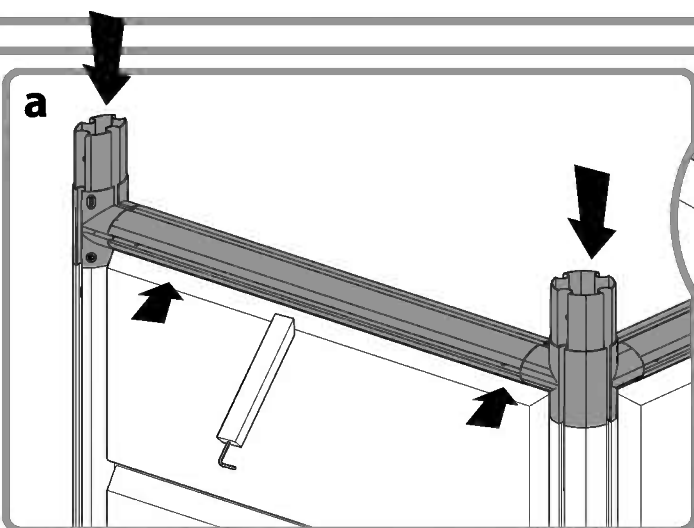


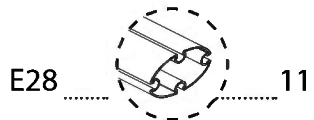
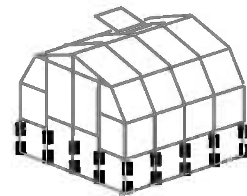
PIN1 ..... 30



Extension Kit

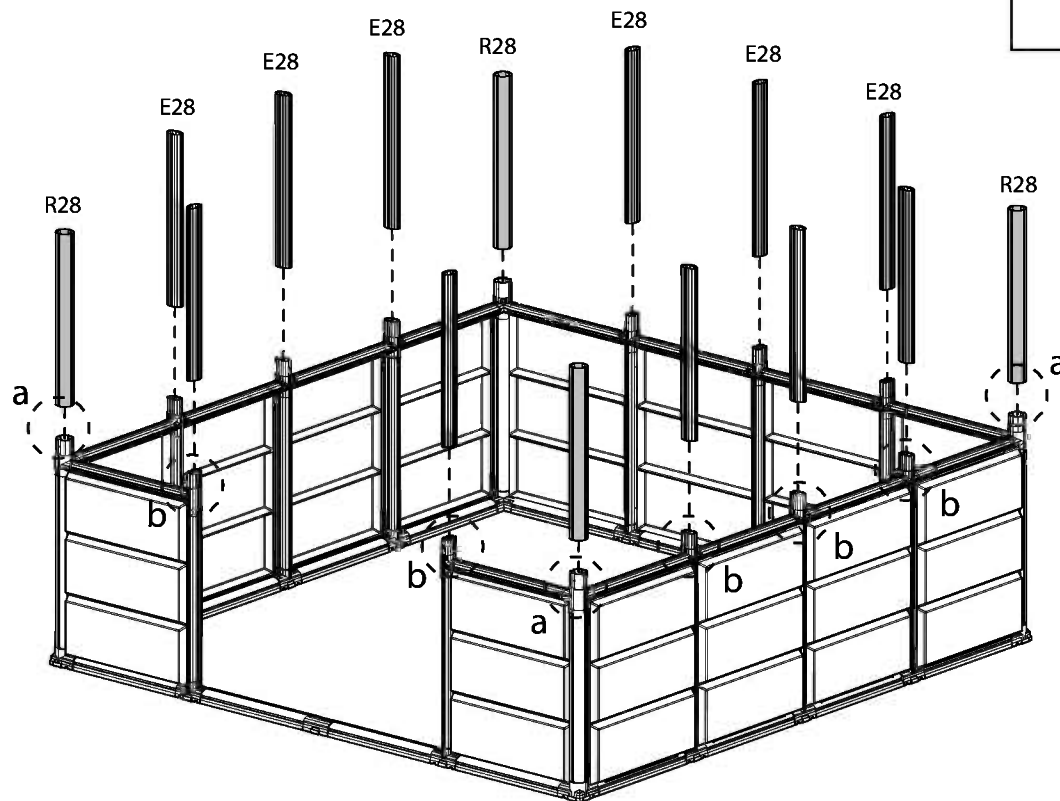
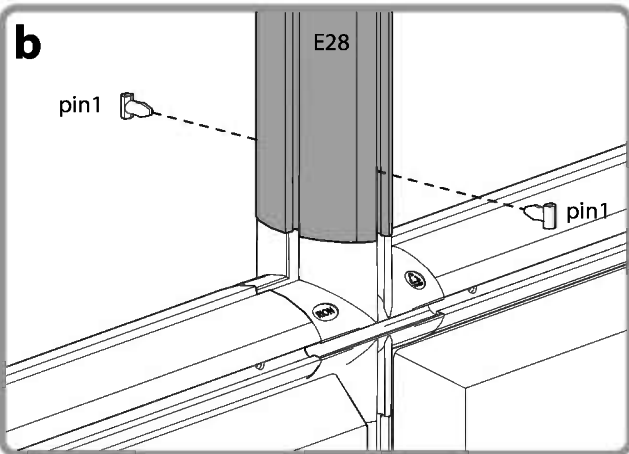
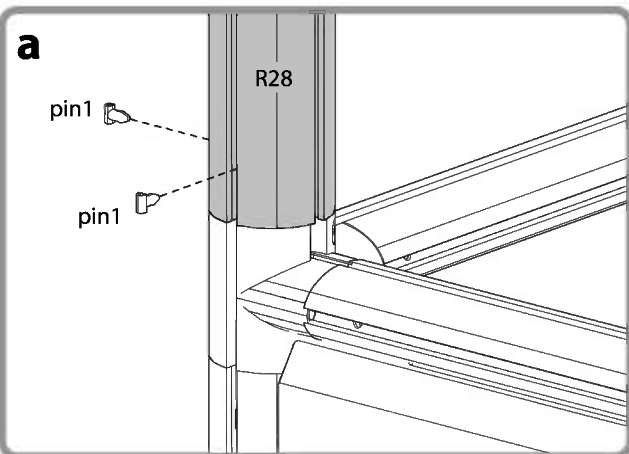
PIN1 ..... 4





E28 ..... 2

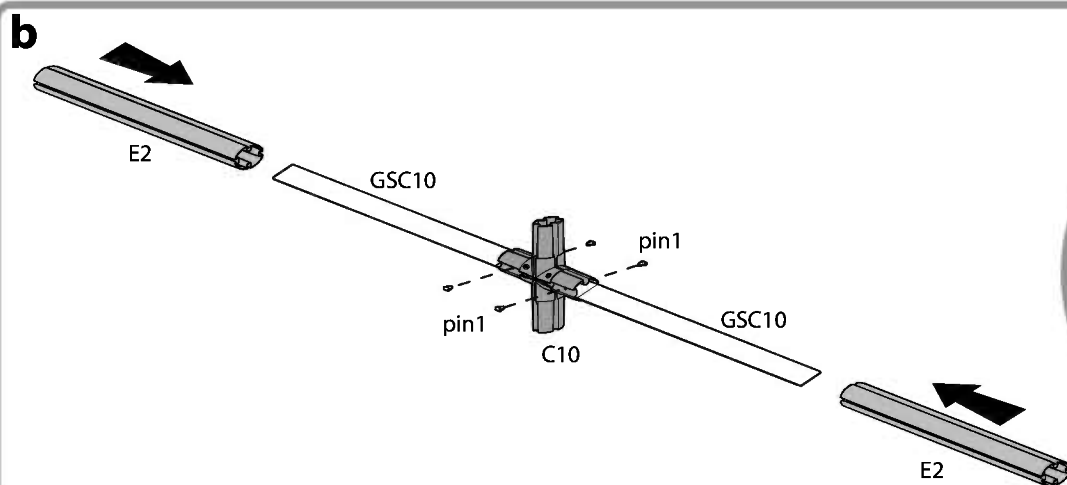
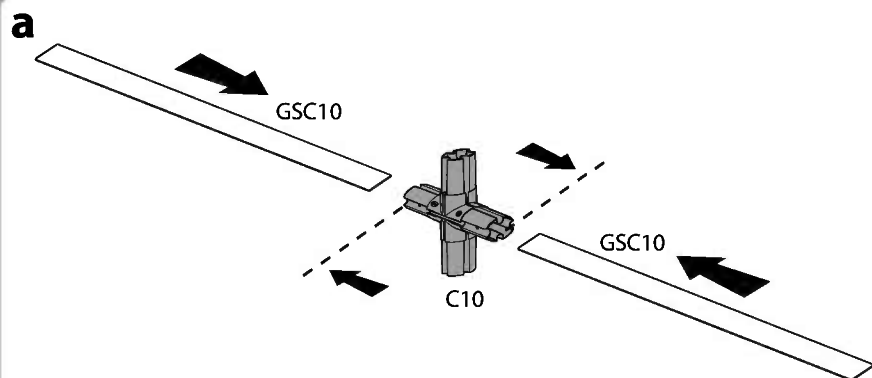
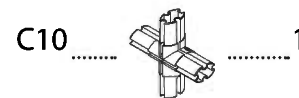
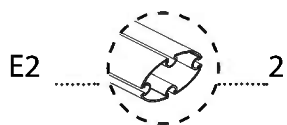
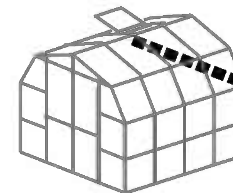
PIN1 ..... 4



13



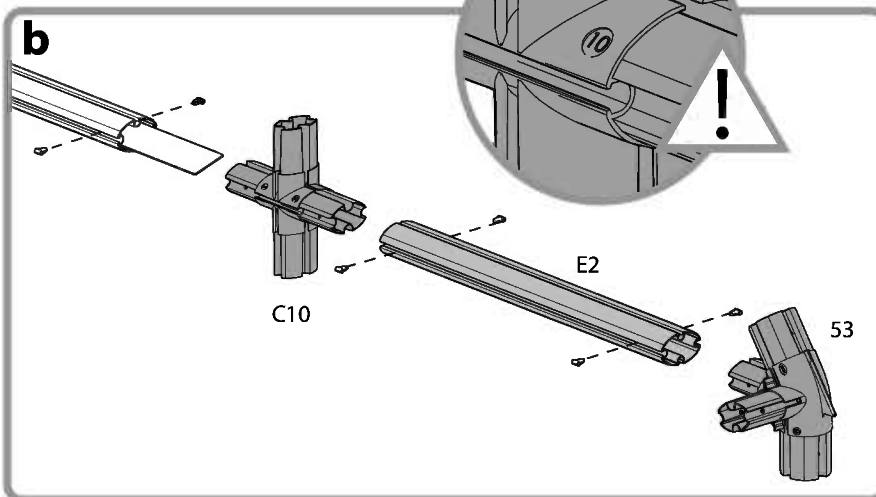
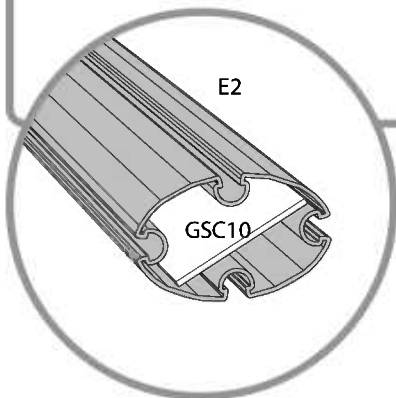
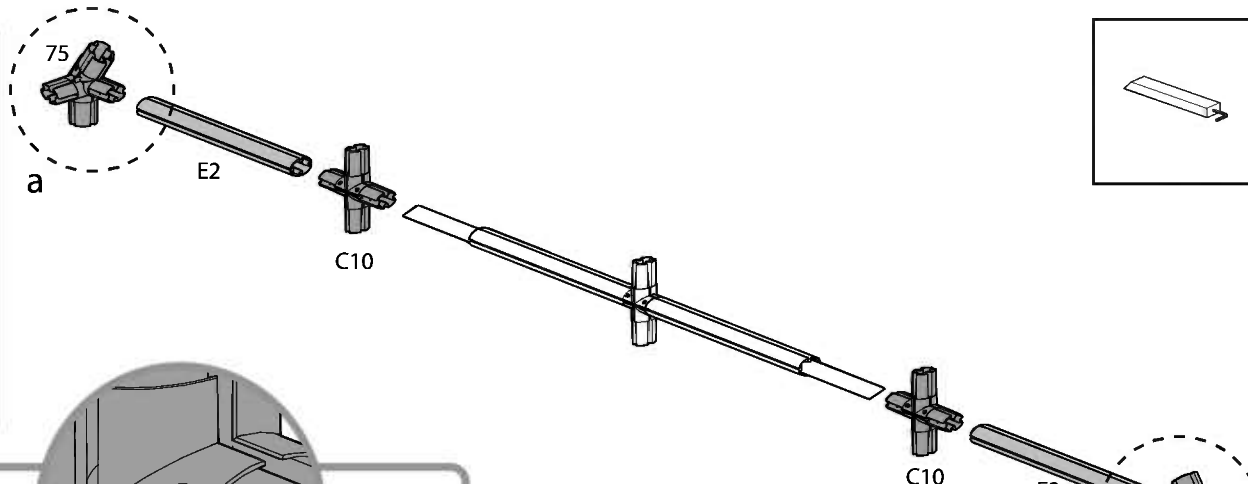
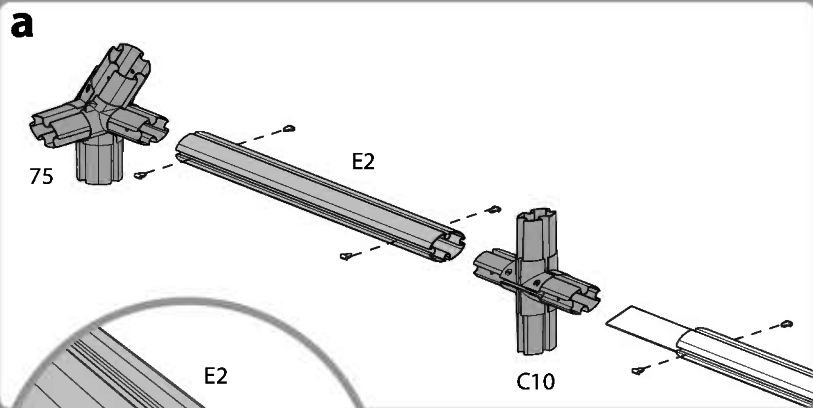
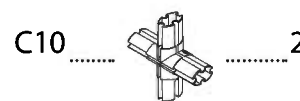
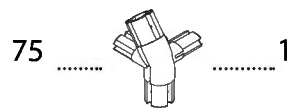
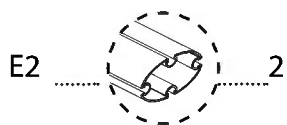
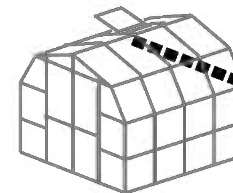
Pay attention to the direction of part C10.

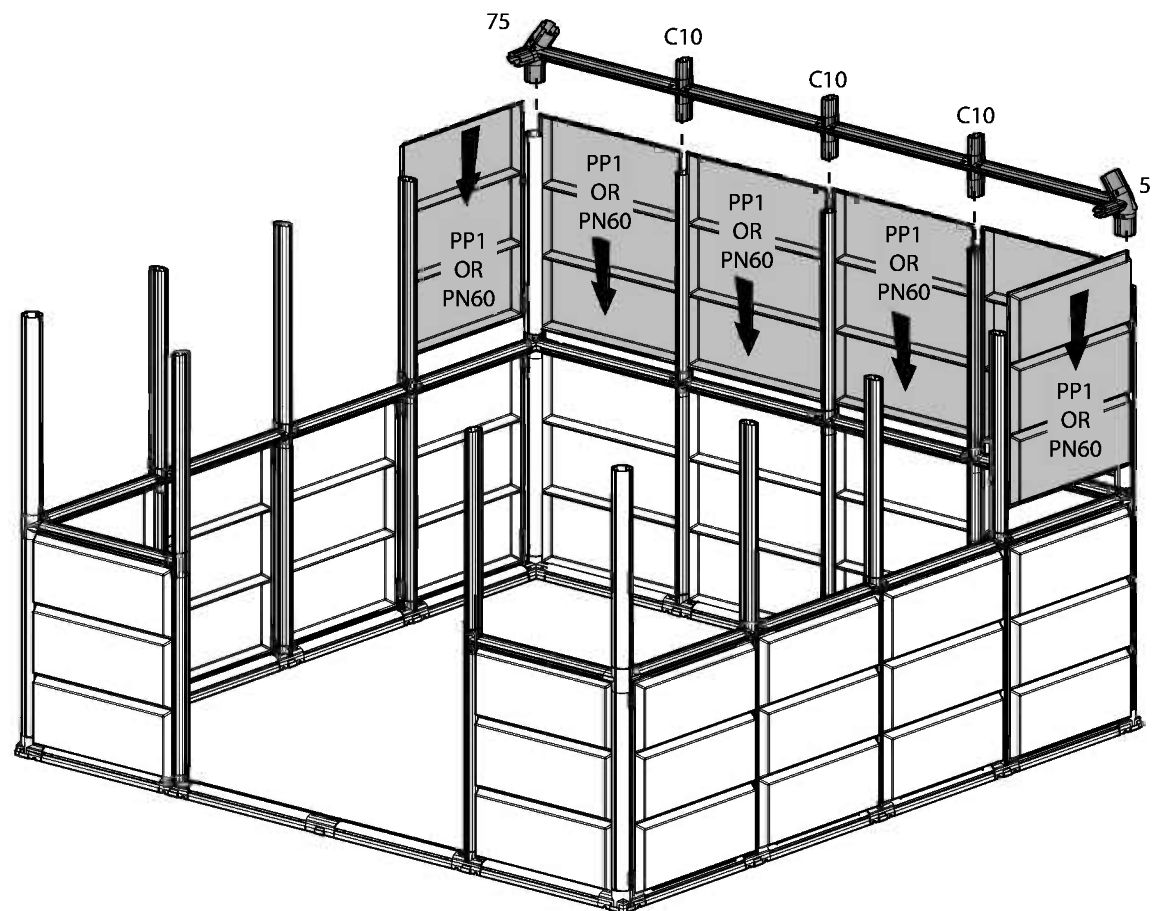
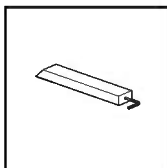
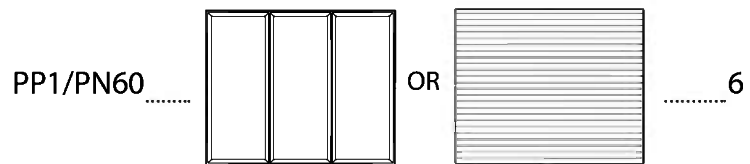
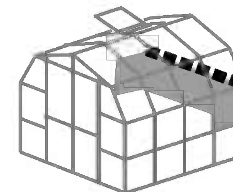


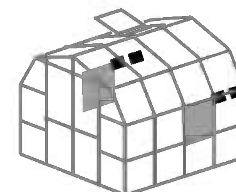
14

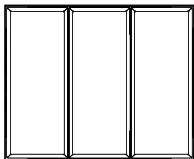




Pay attention to the direction of part C10.

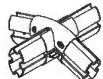





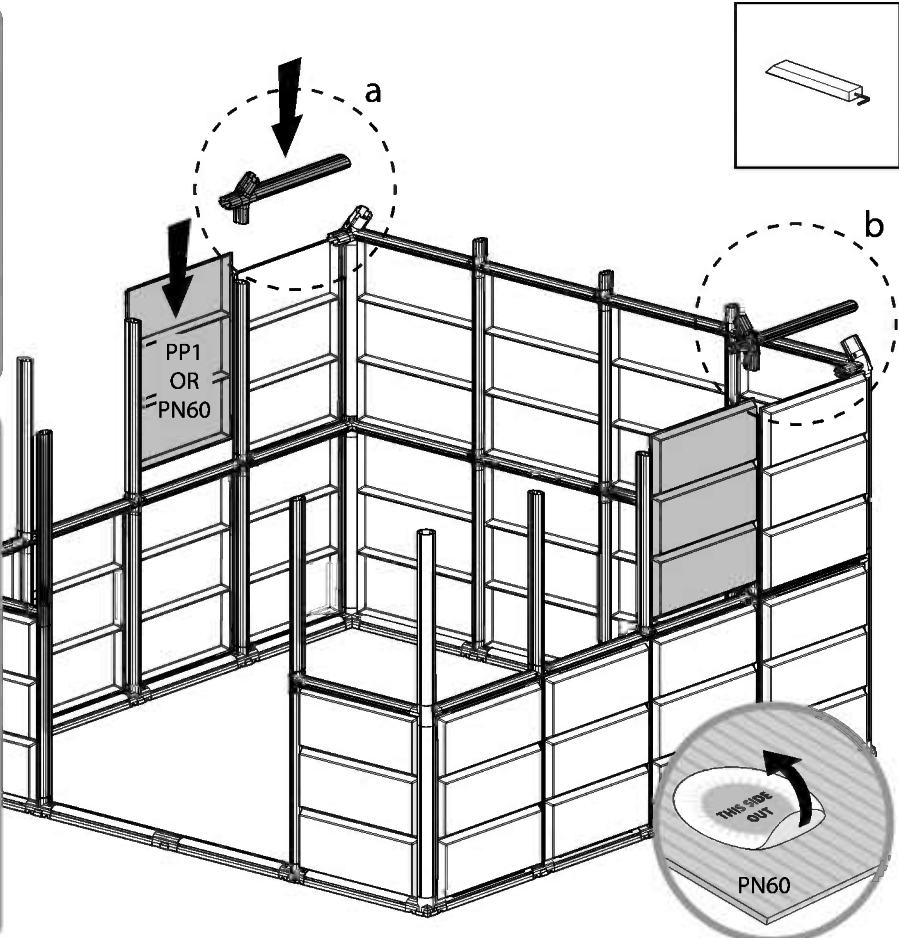
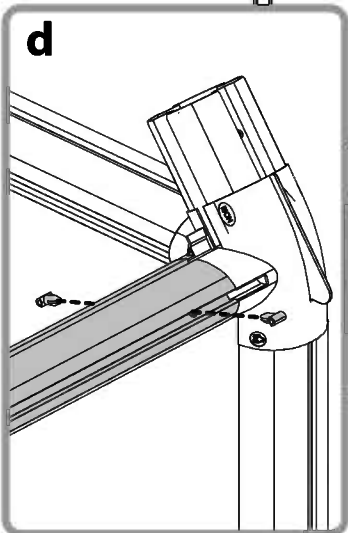
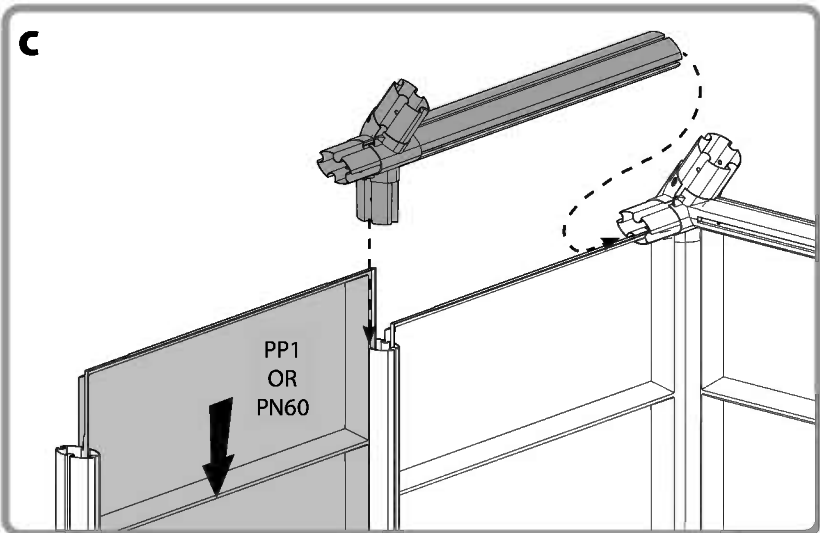
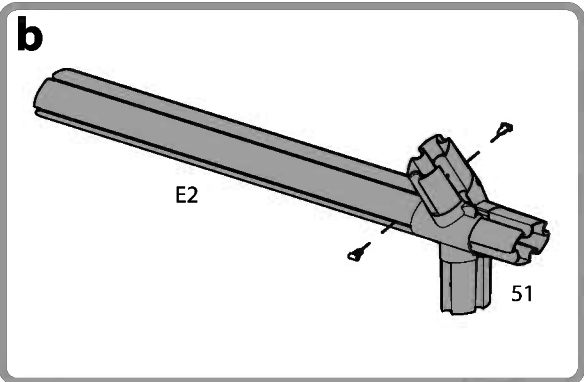
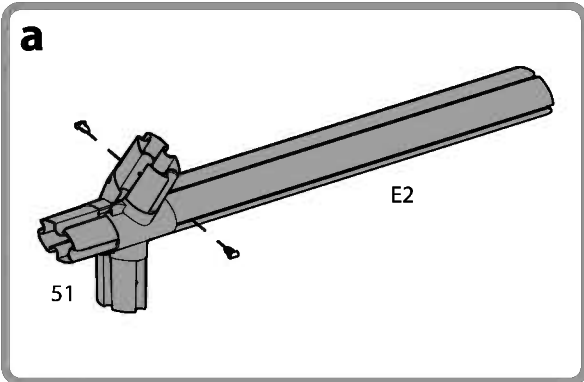


PP1/PN60 .....  OR  ..... 2

E2 .....  ..... 2

51 .....  ..... 2

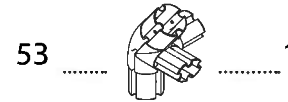
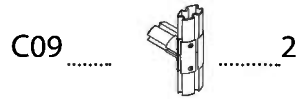
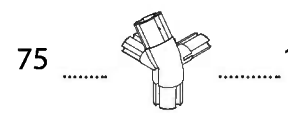
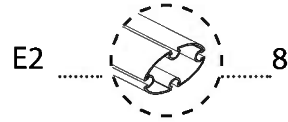
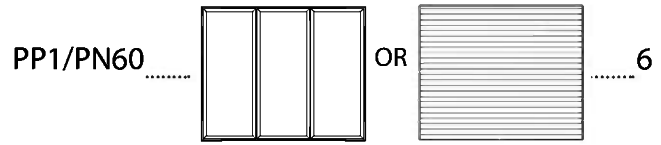
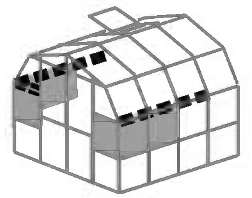
PIN1 .....  ..... 8



17



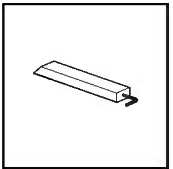
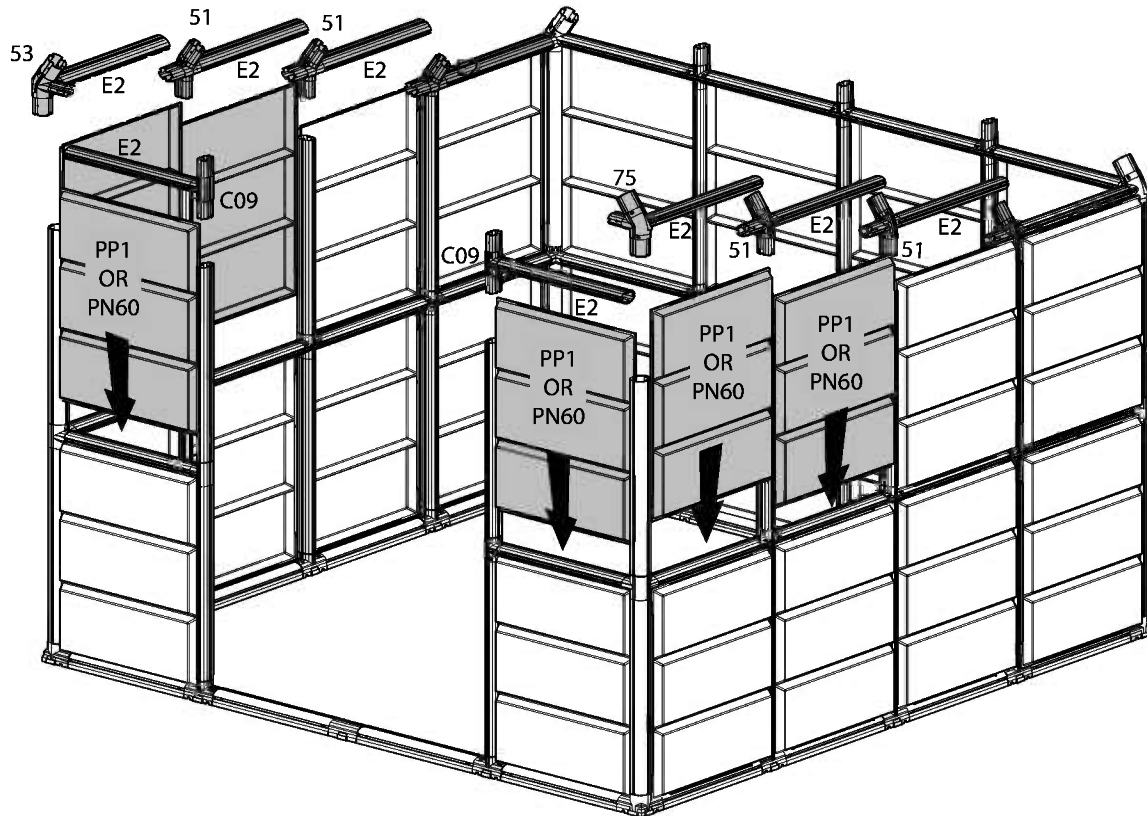
Wall's assembly must be done gradually: #1 insert the panel, #2 insert the profile and #3 insert the pin, in accordance with the drawings in steps 15 & 16.

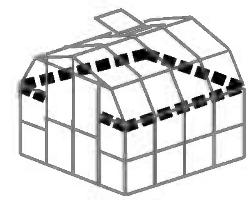


- E2 ..... 2
- PP1/PN60 ..... 2
- 51 ..... 2
- PIN1 ..... 12



Extension Kit



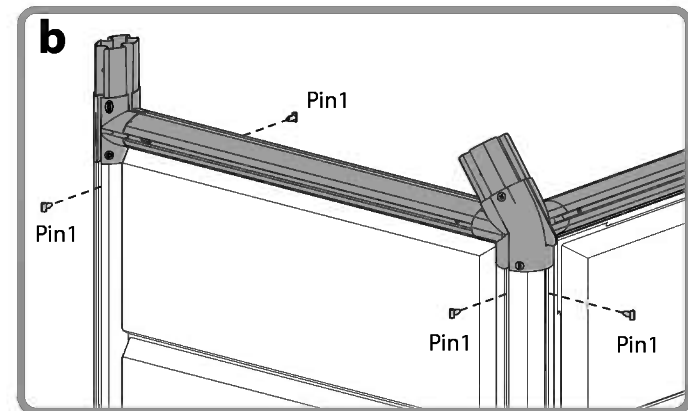
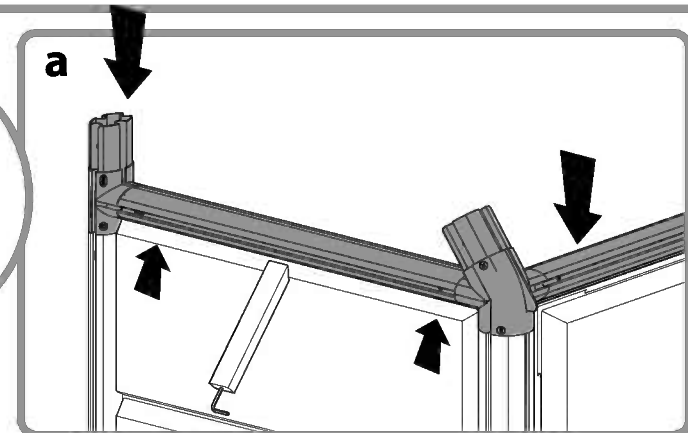
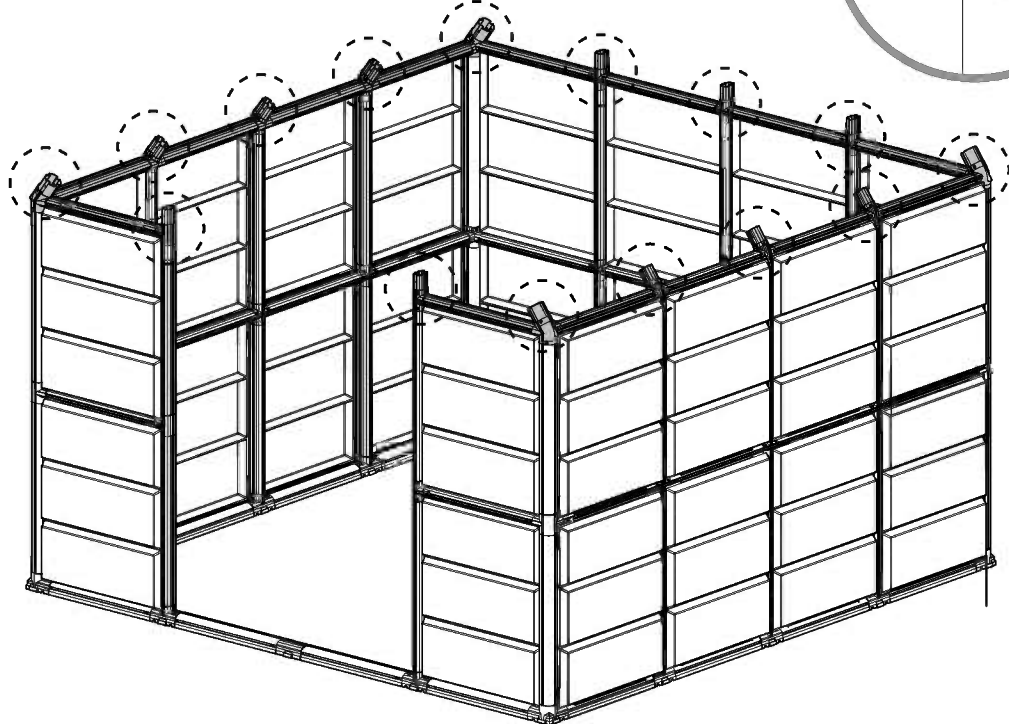
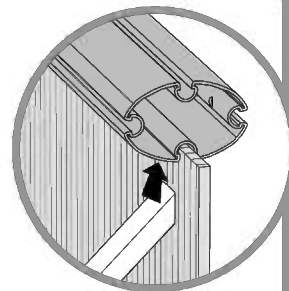
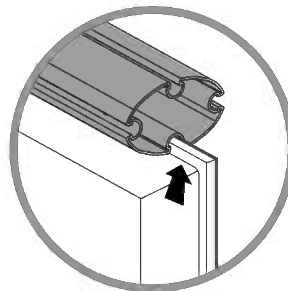
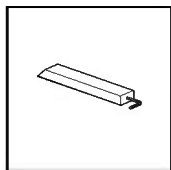


PIN1 .....  ..... 30

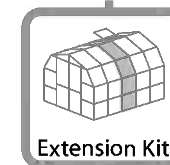
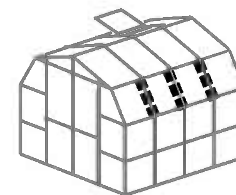


Extension Kit

PIN1 ..... 4

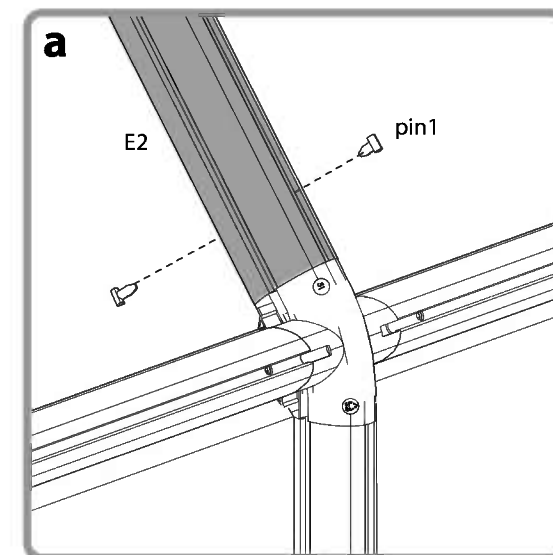
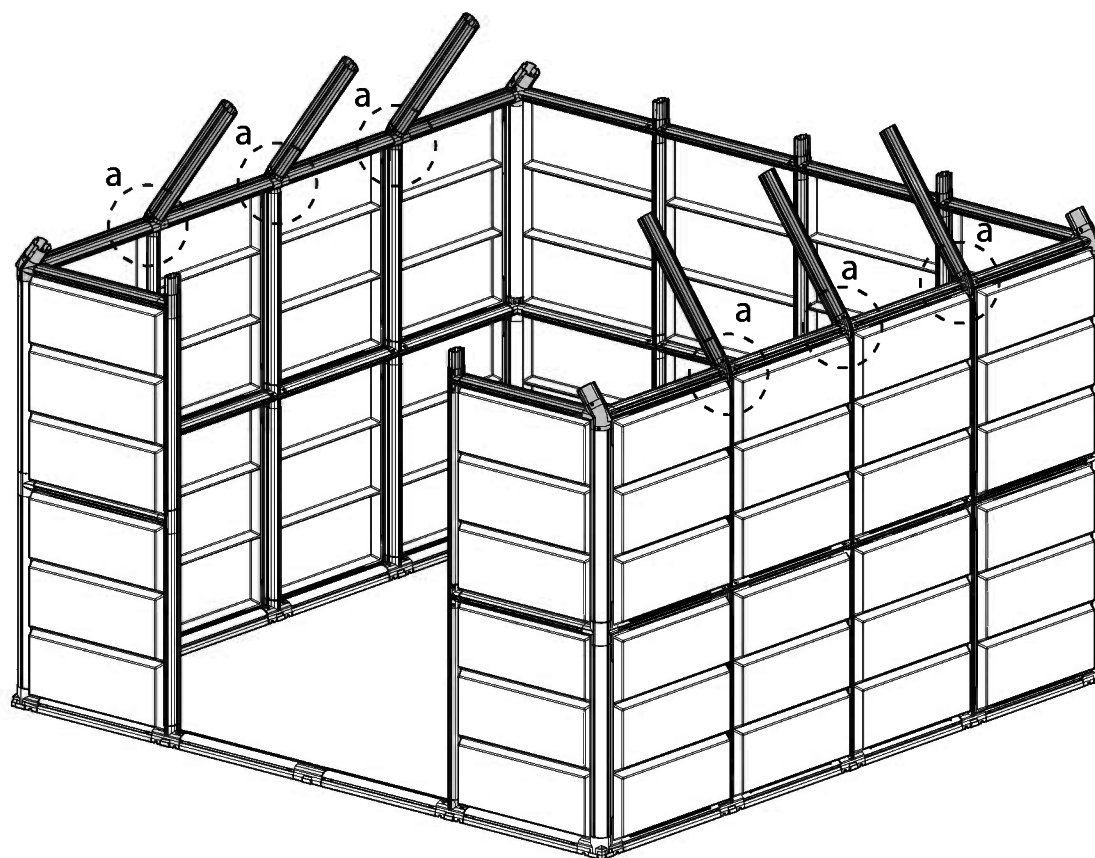
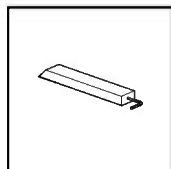


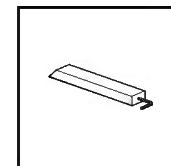
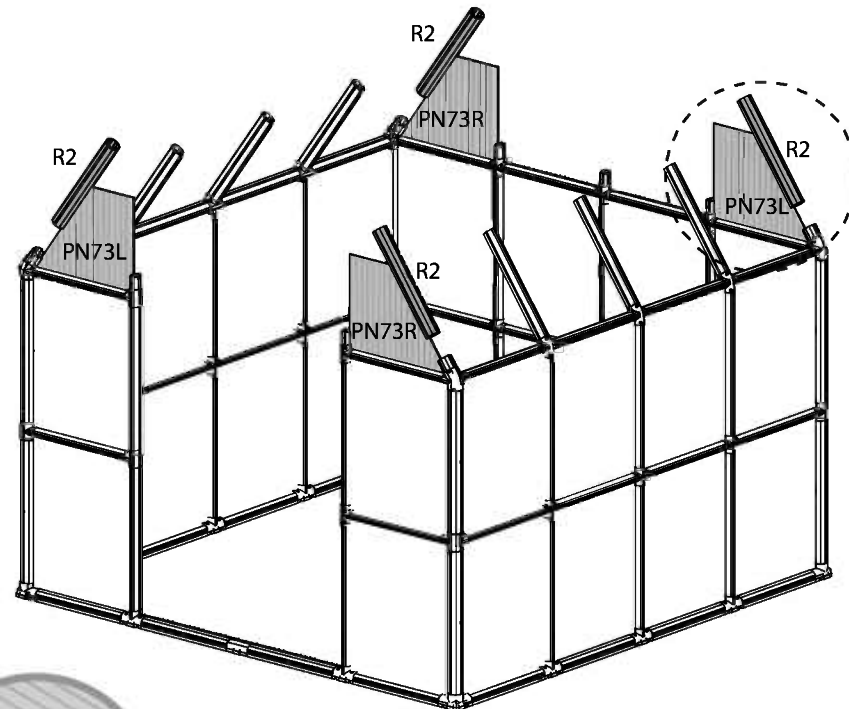
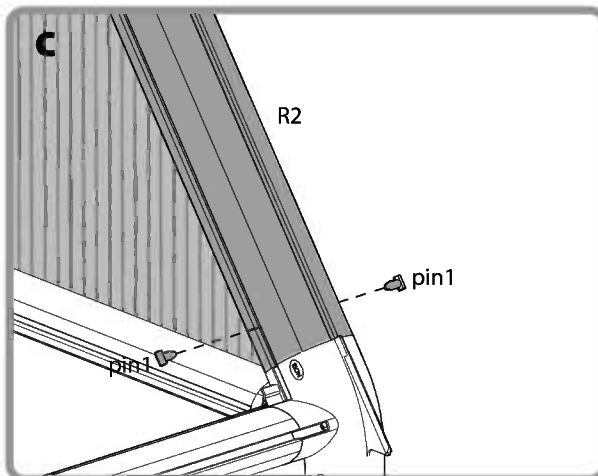
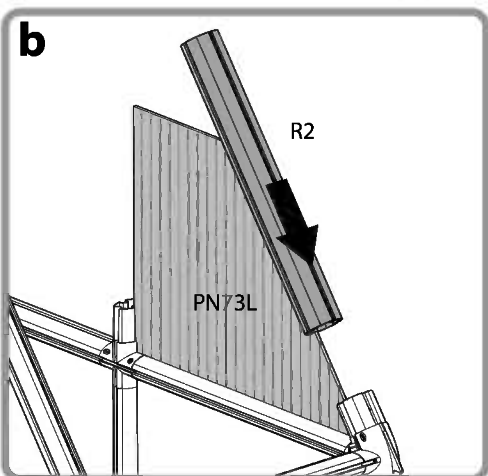
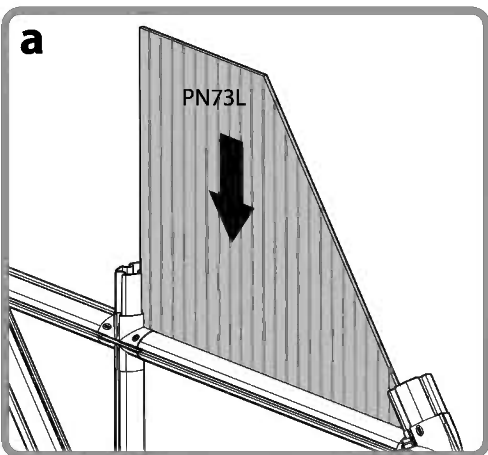
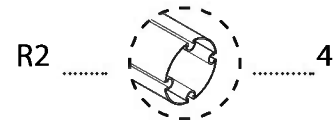
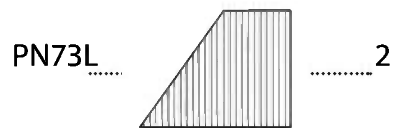
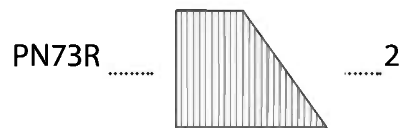
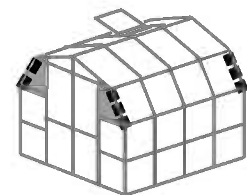


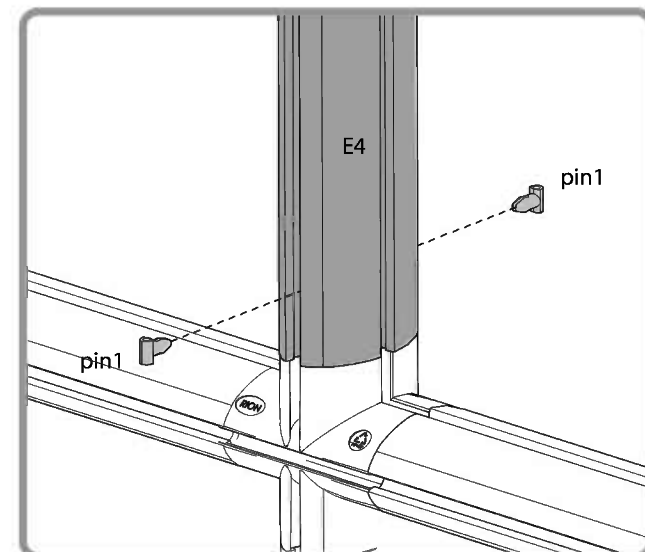
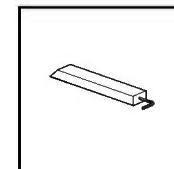
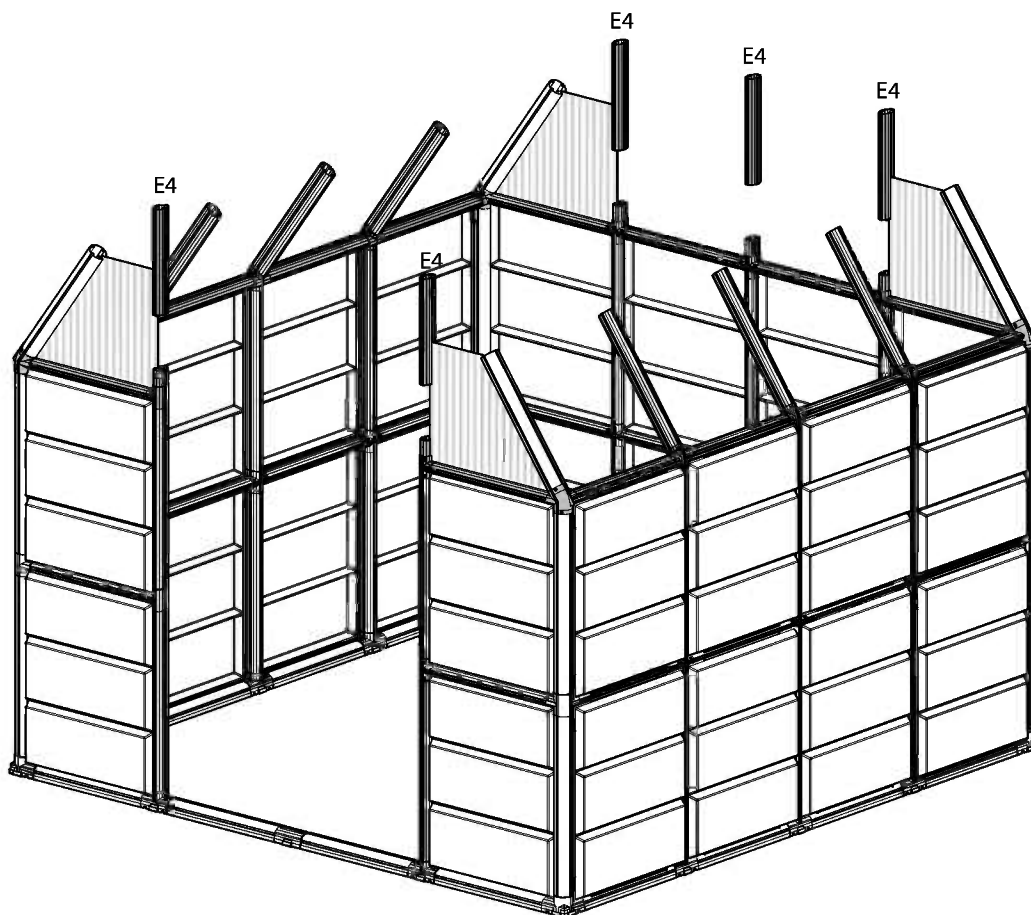
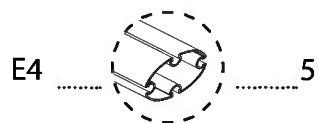
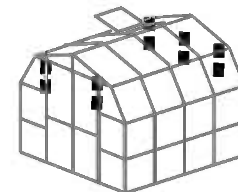


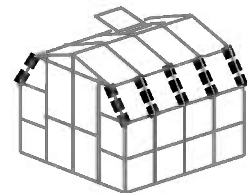
E2 ..... 2

PIN1 ..... 4









7556 .....

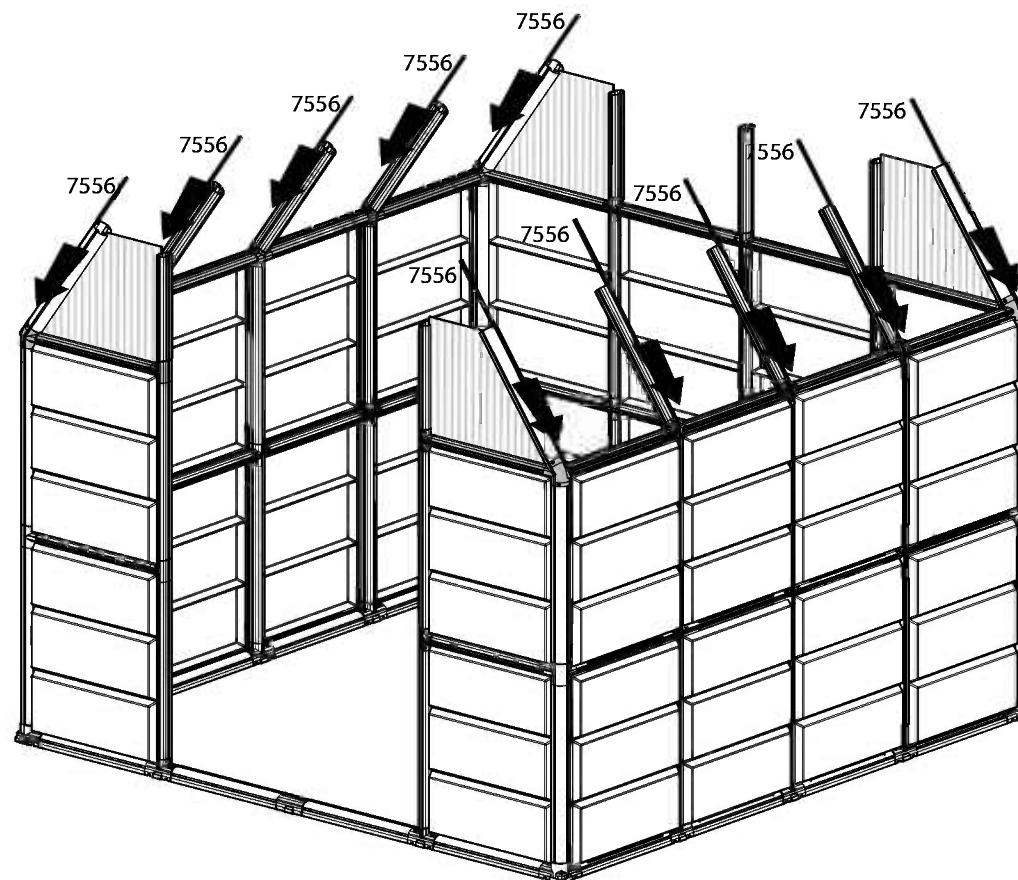
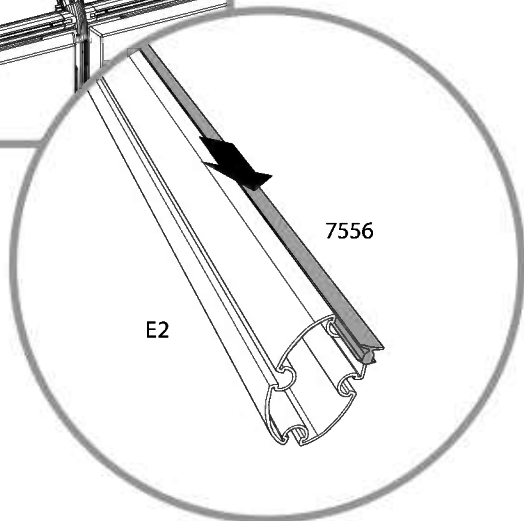
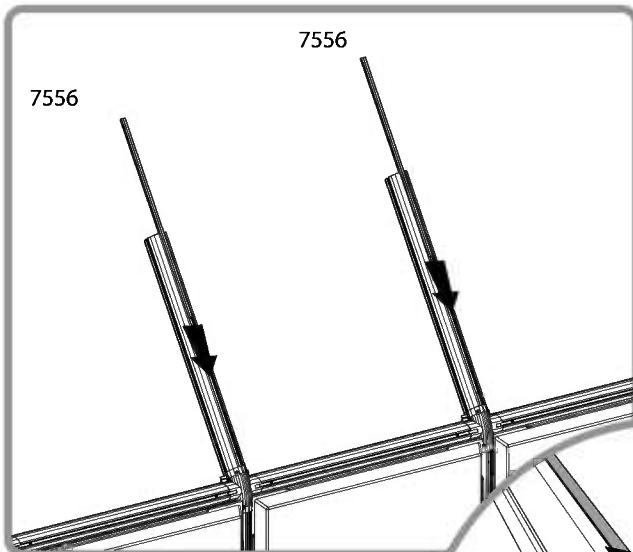


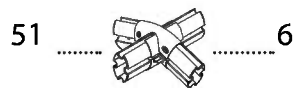
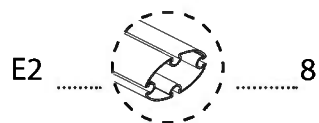
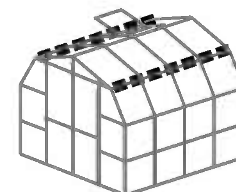
..... 10



Extension Kit

7556 ..... 2



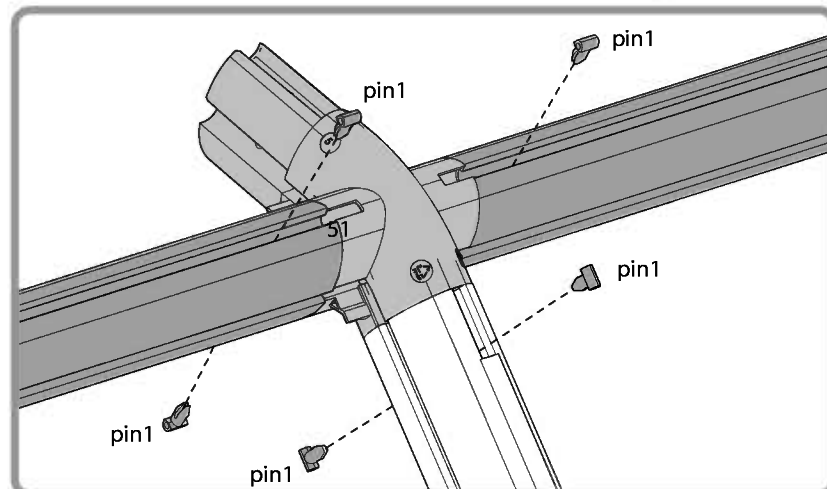
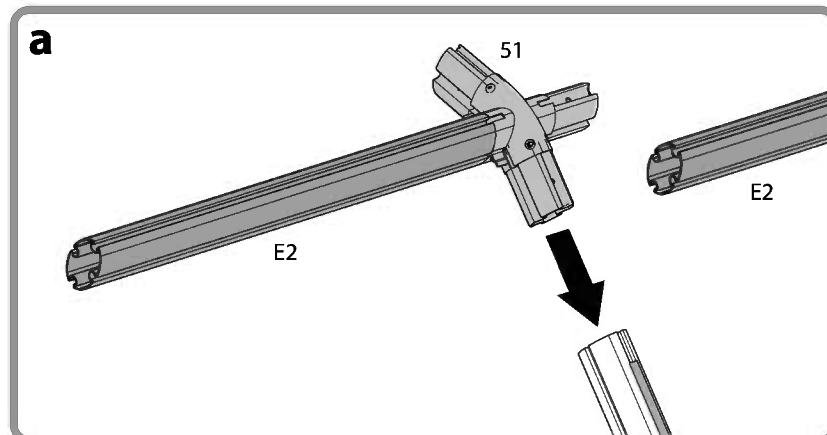
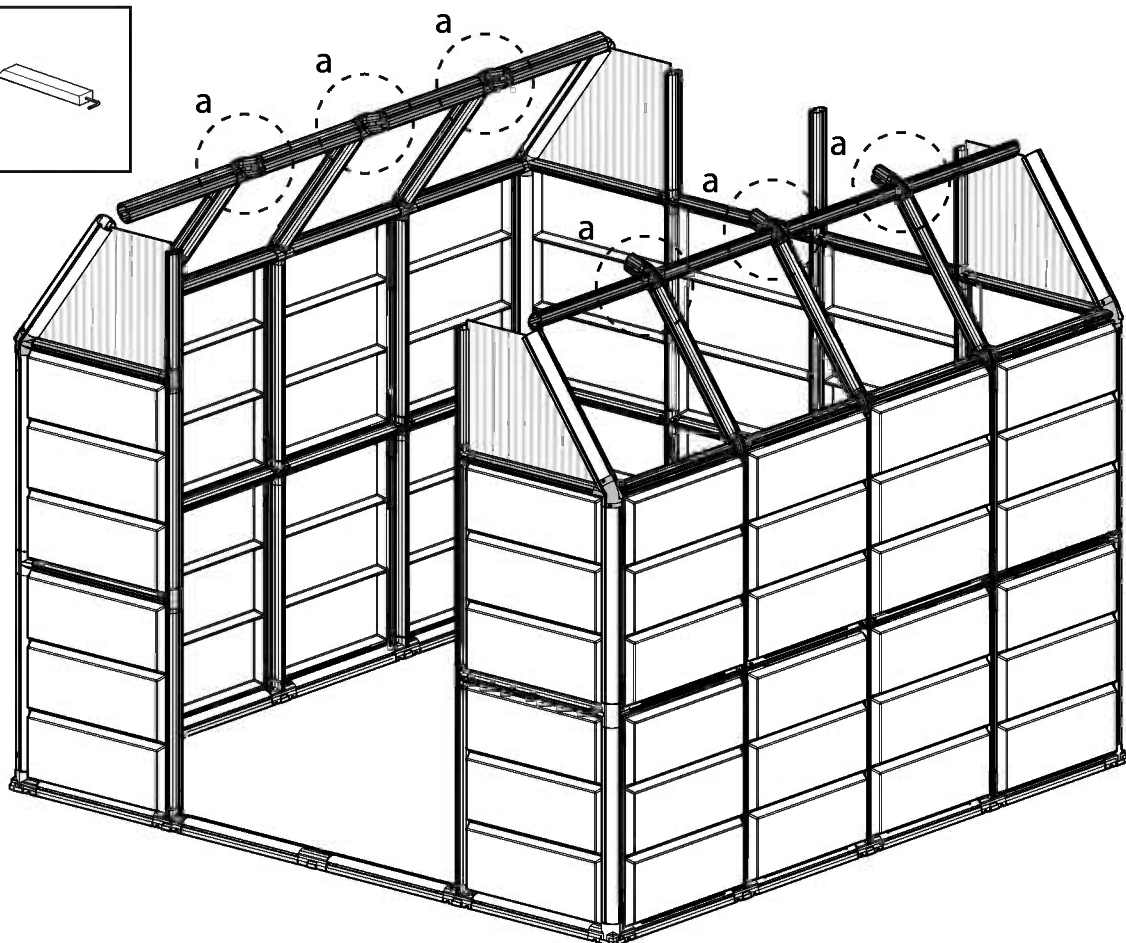
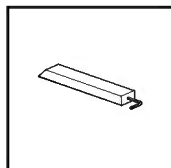


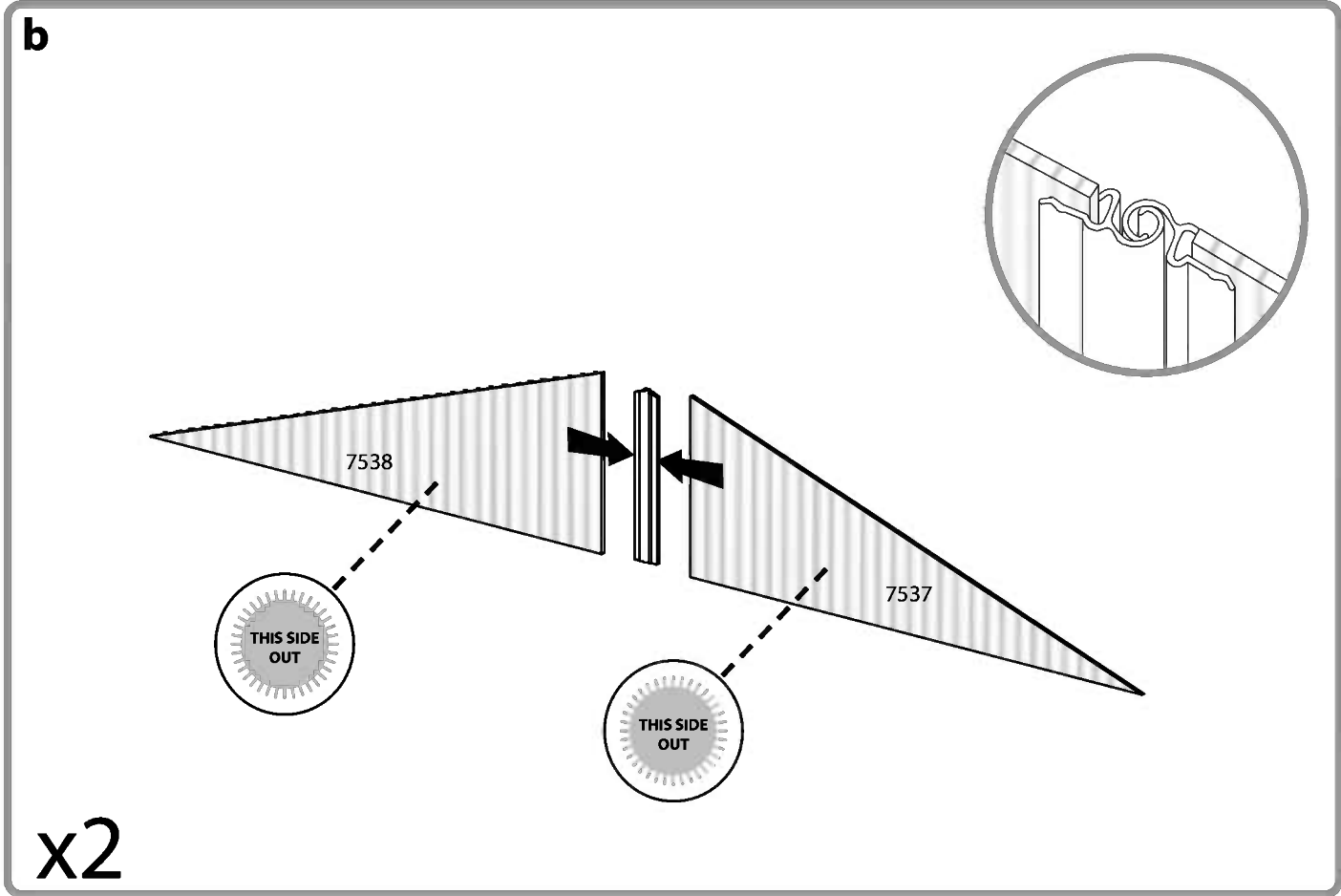
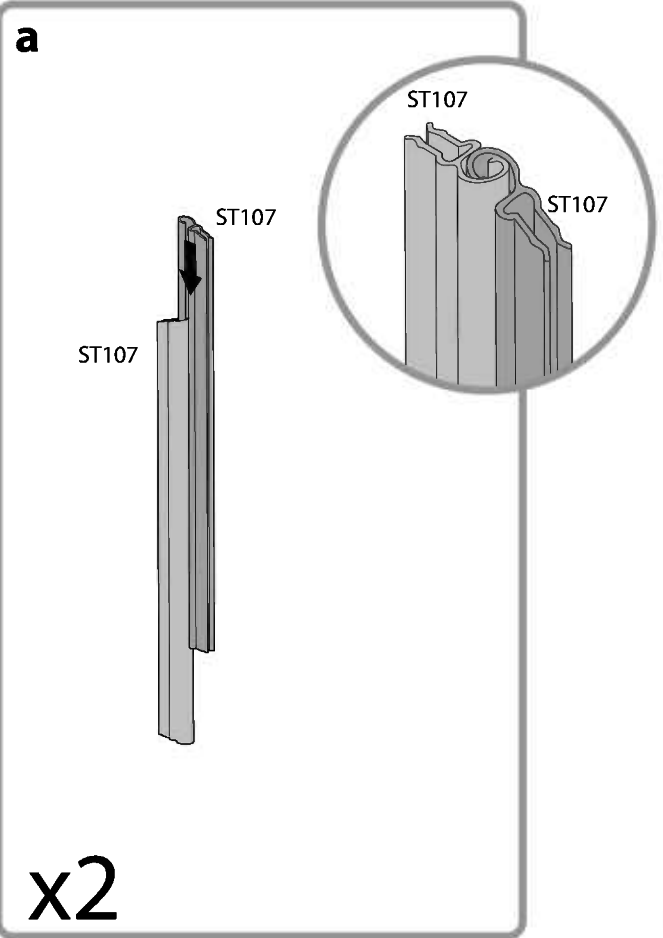
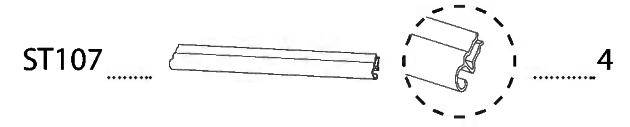
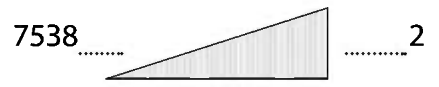
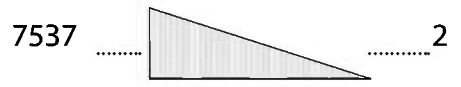
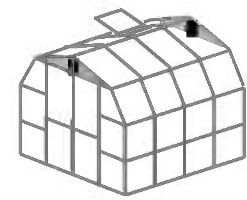
Extension Kit

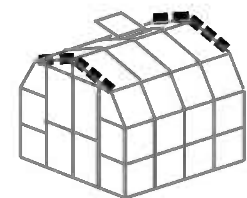
E2 ..... 2

51 ..... 2

PIN1 ..... 12





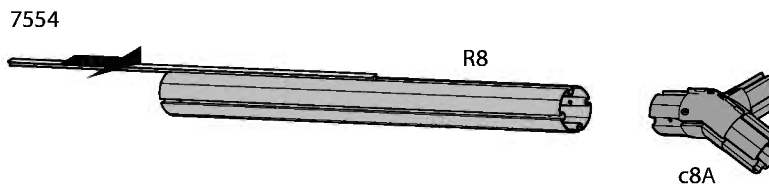
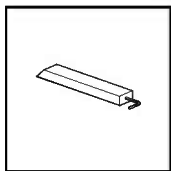


R8 ..... 4

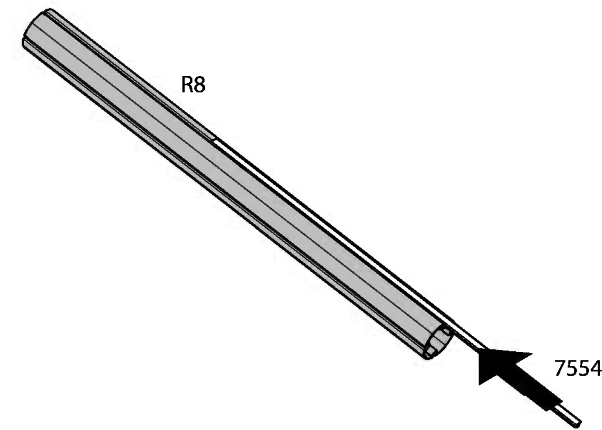
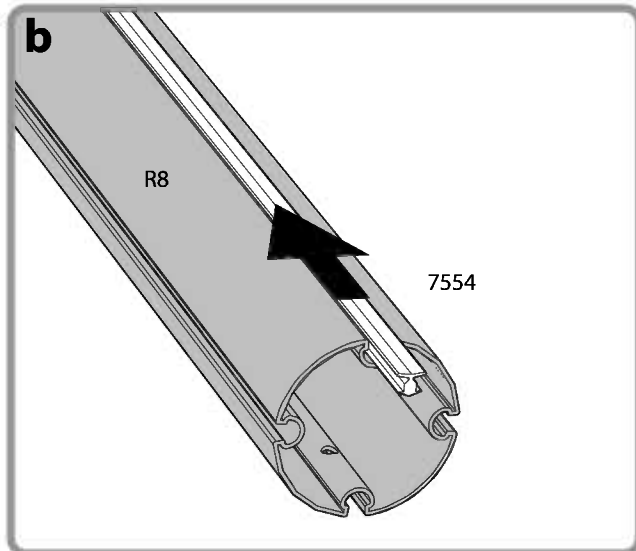
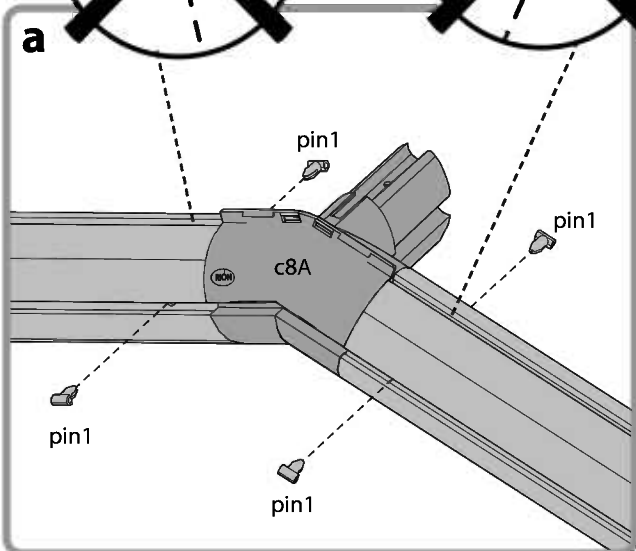
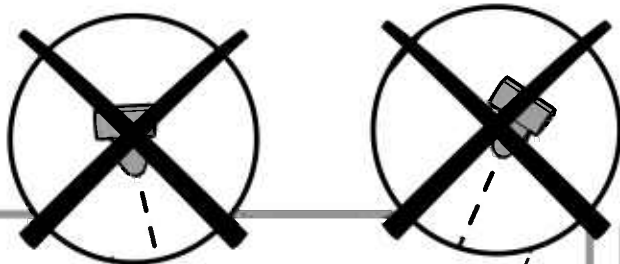
c8A ..... 2

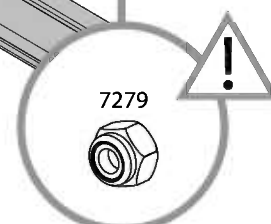
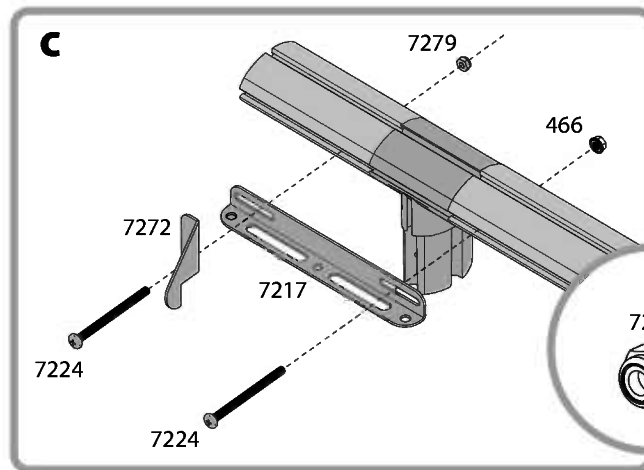
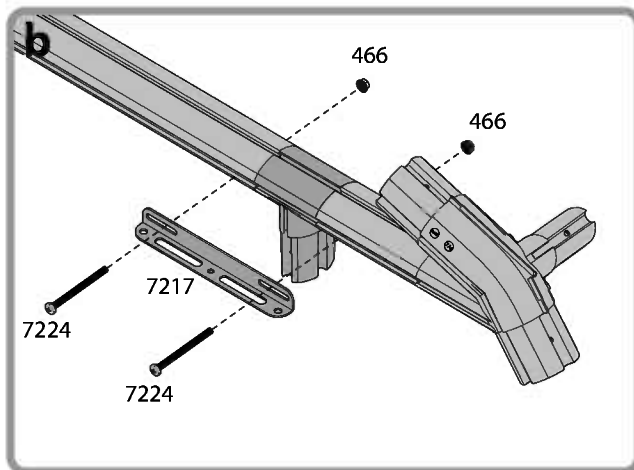
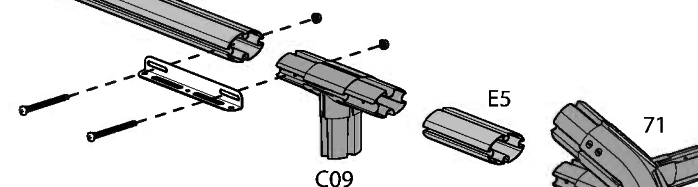
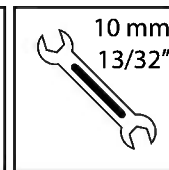
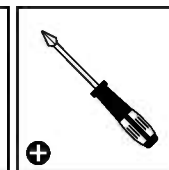
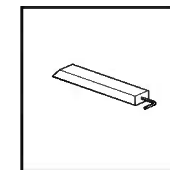
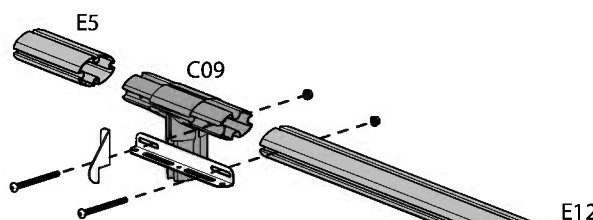
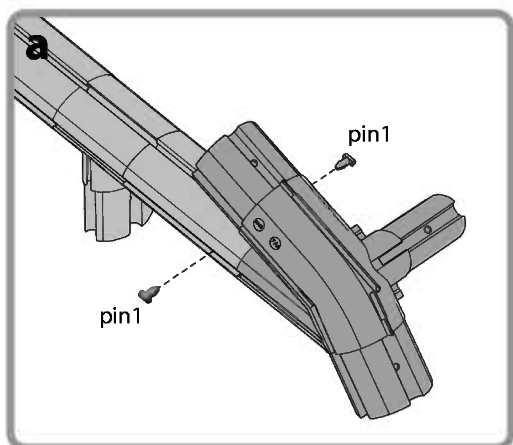
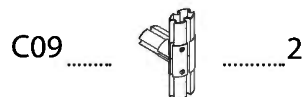
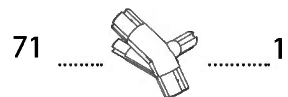
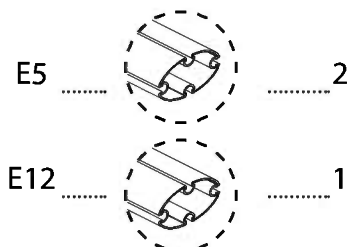
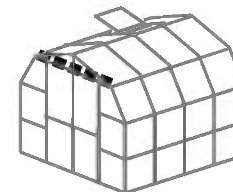
7554 ..... 4

PIN1 ..... 8

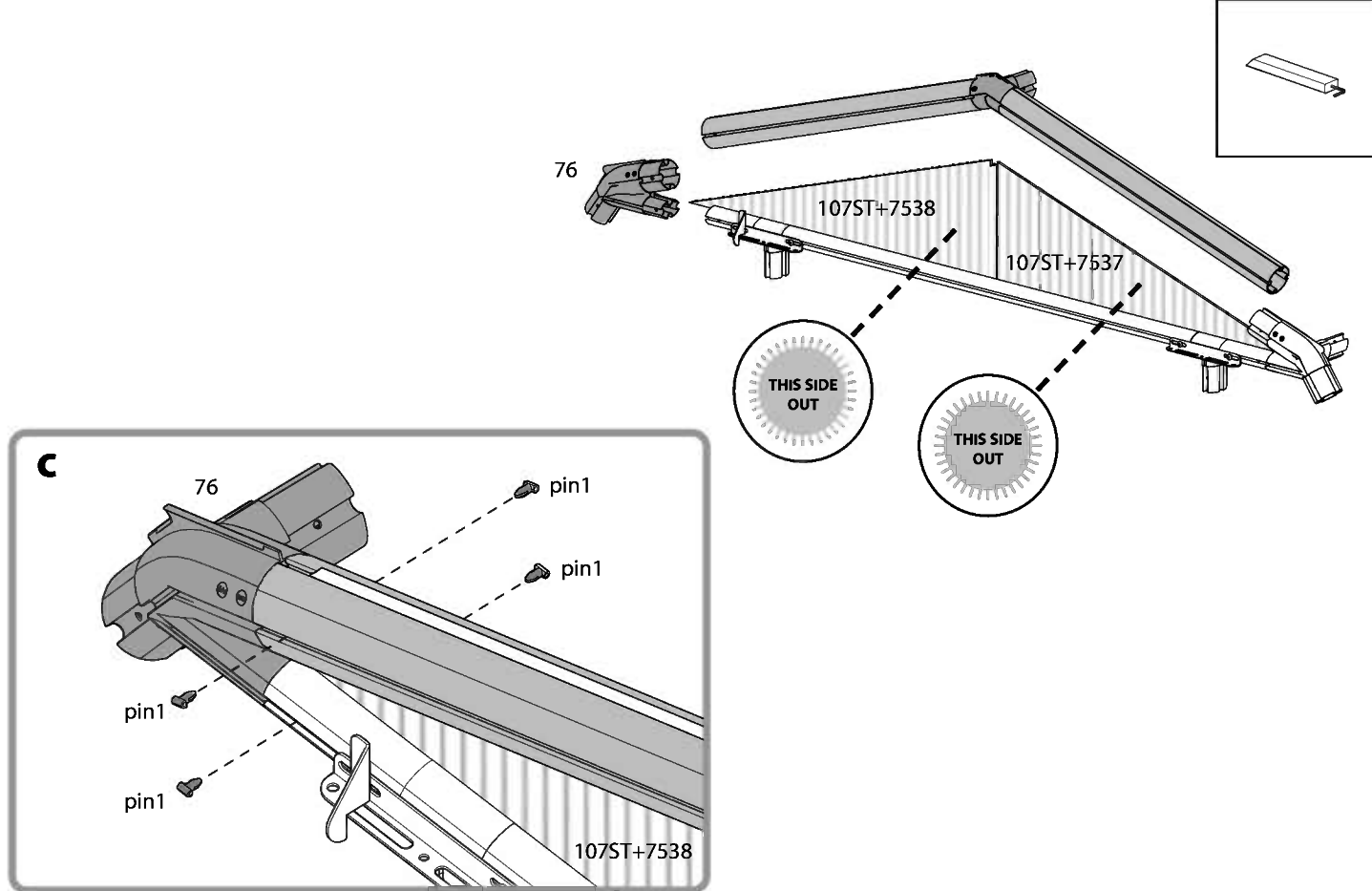
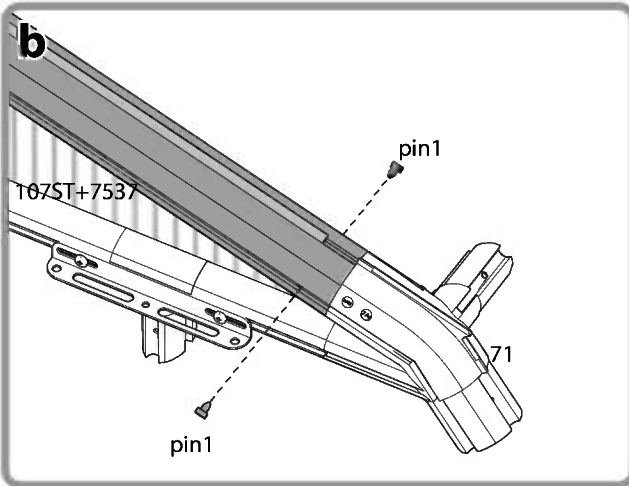
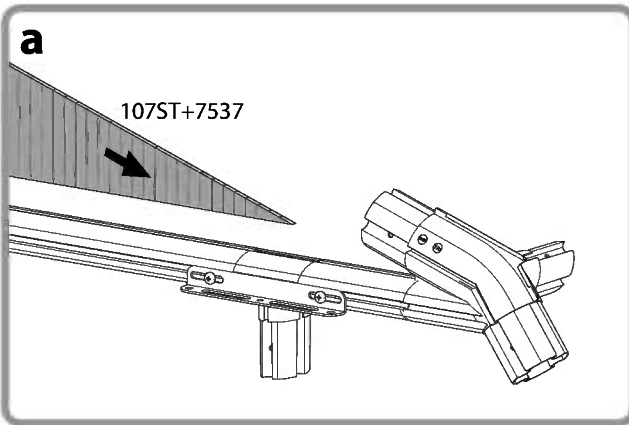
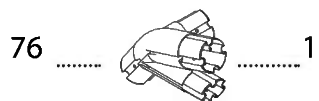
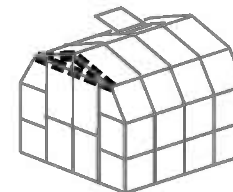


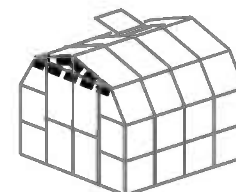
x2



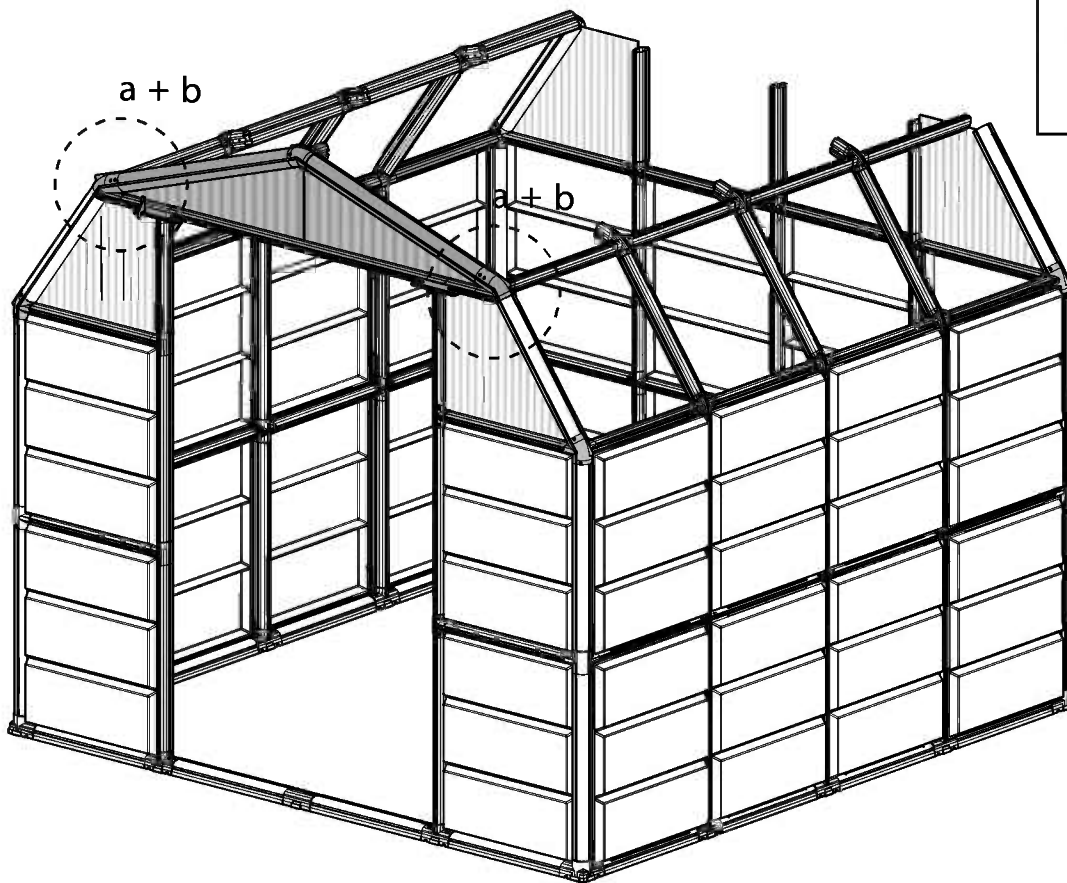
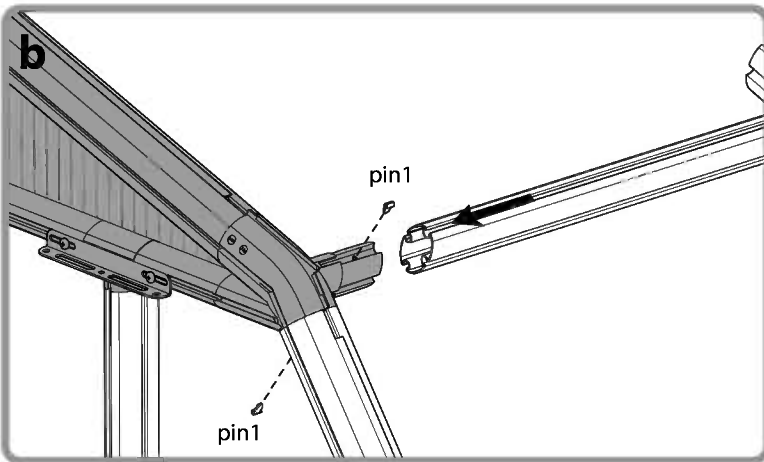
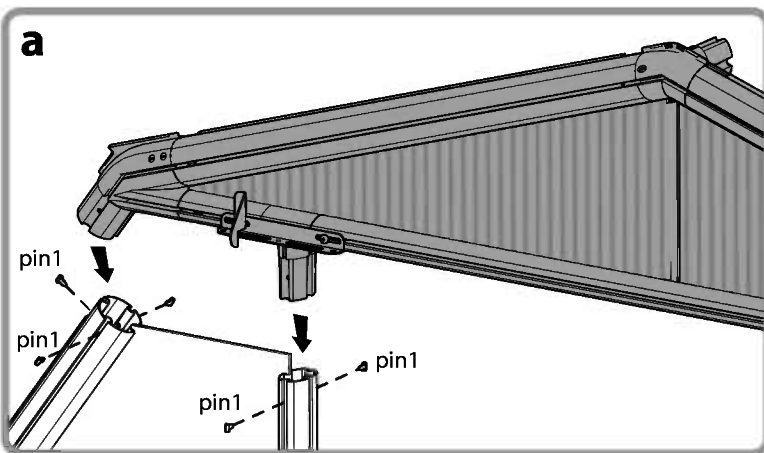


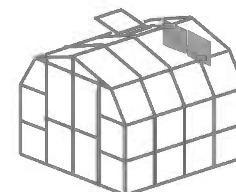




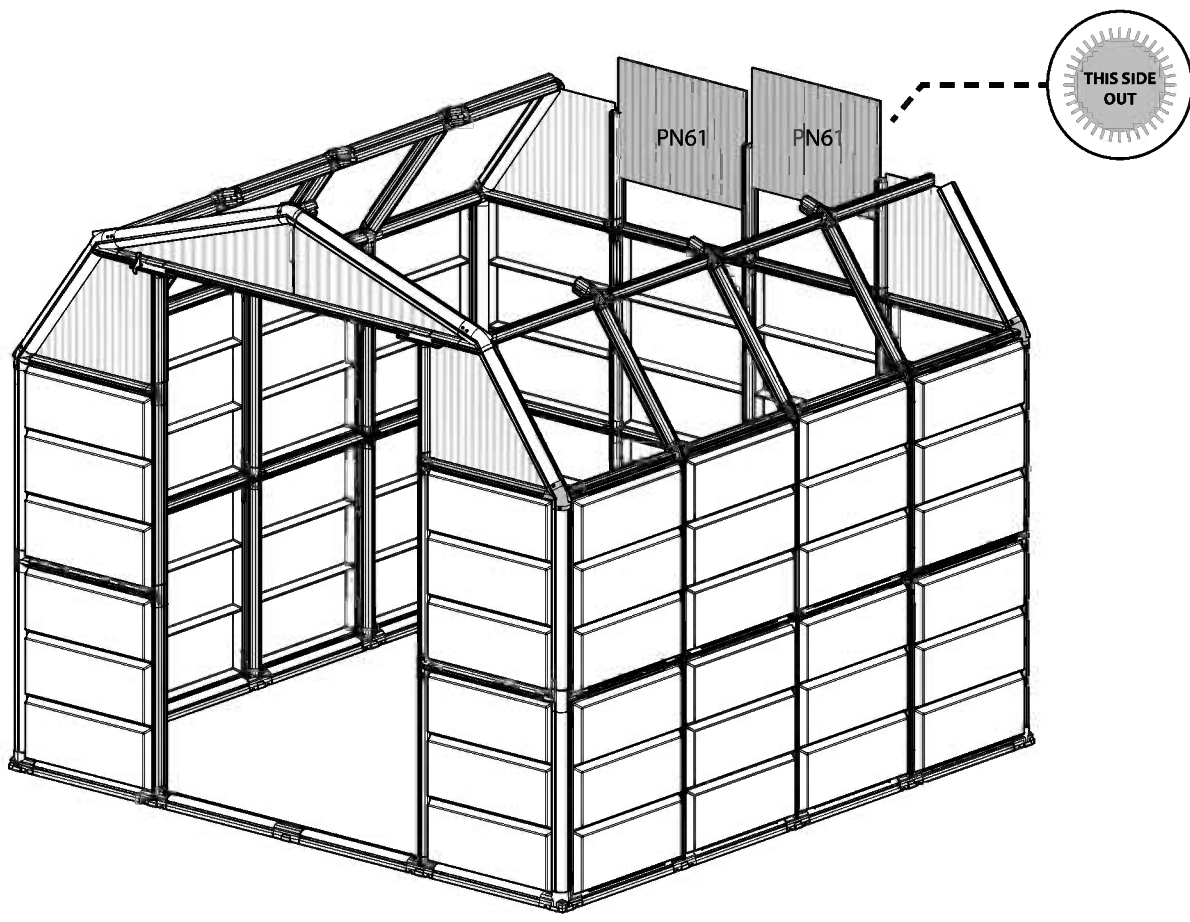
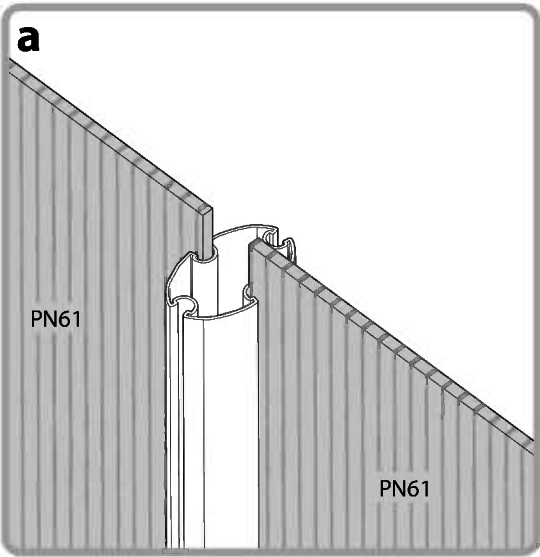
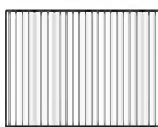


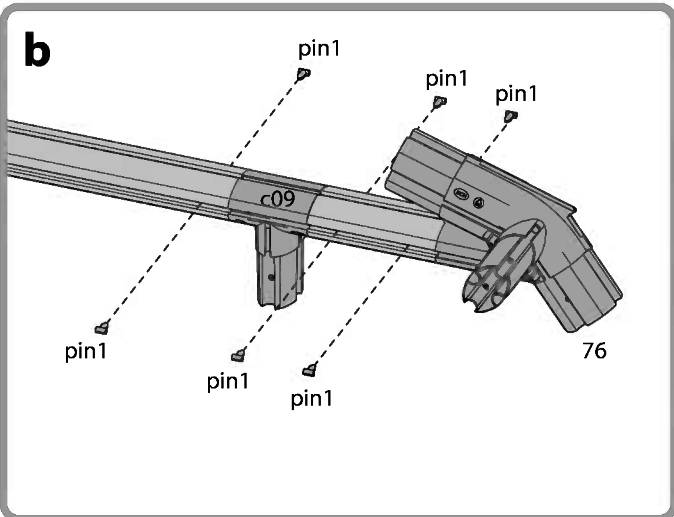
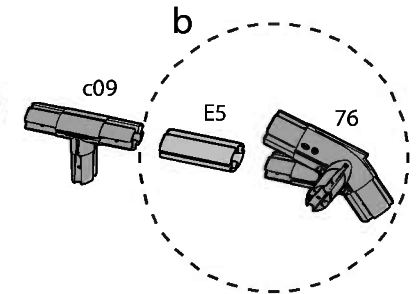
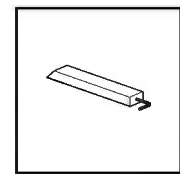
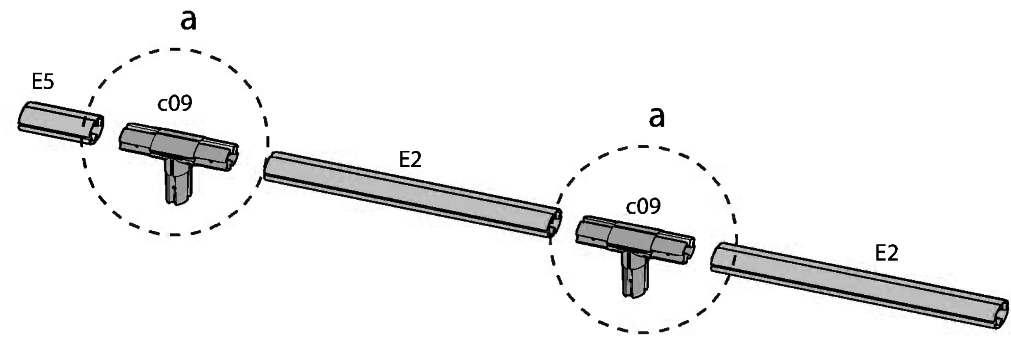
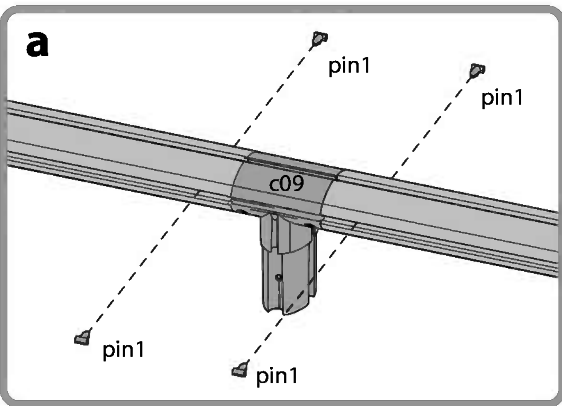
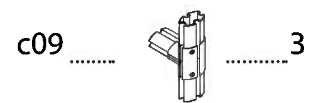
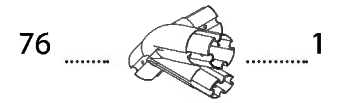
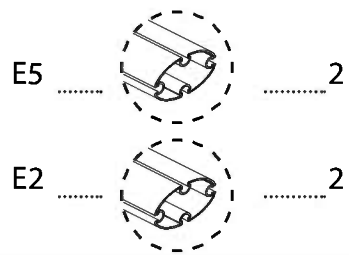
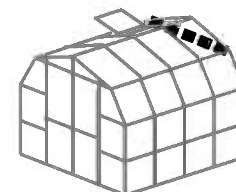
PIN1 ..... 14

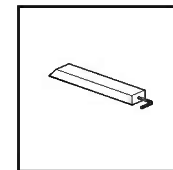
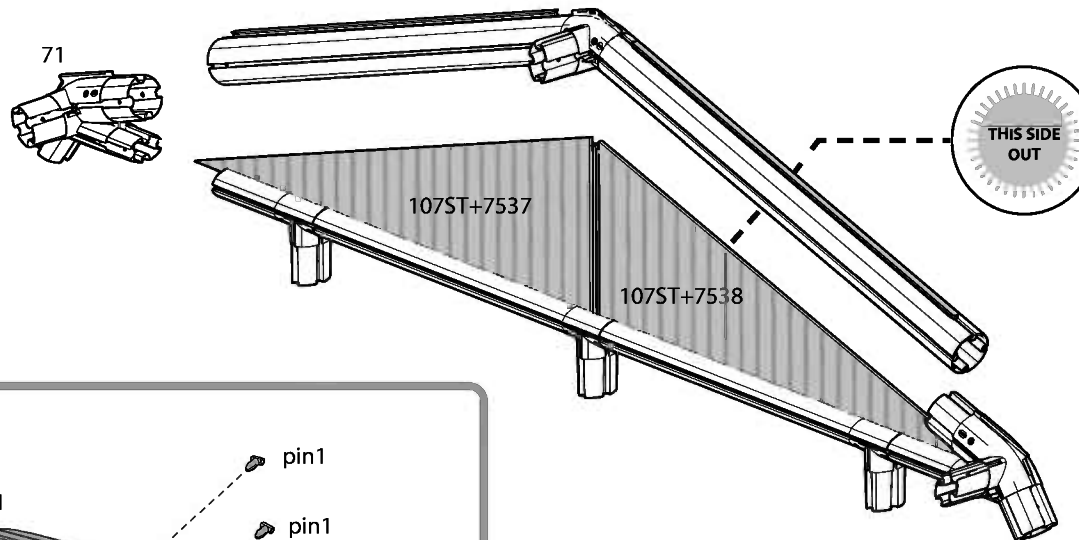
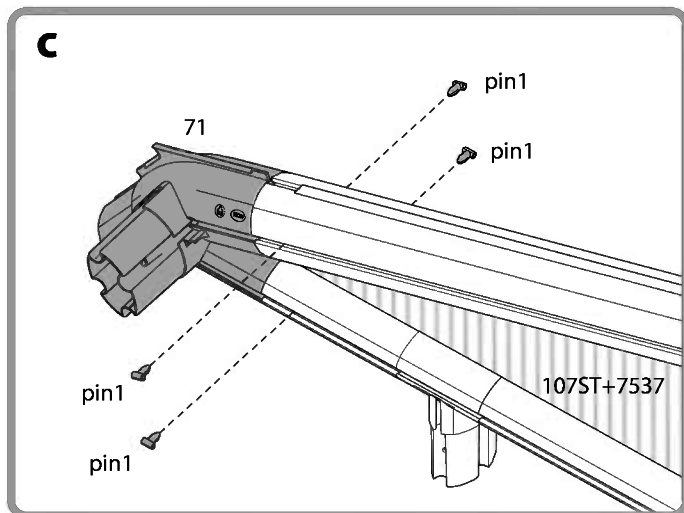
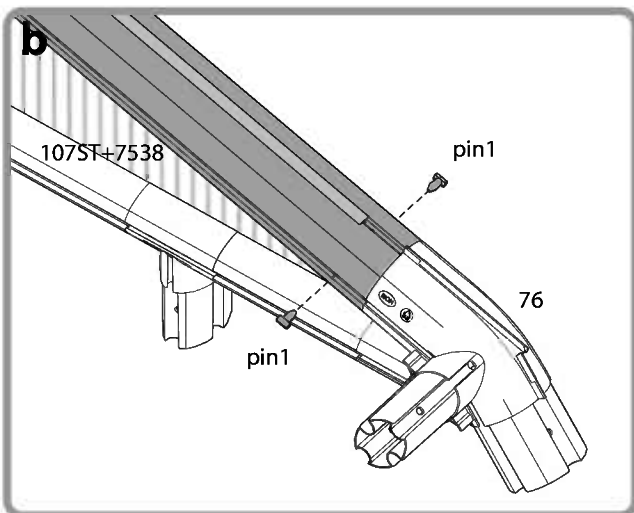
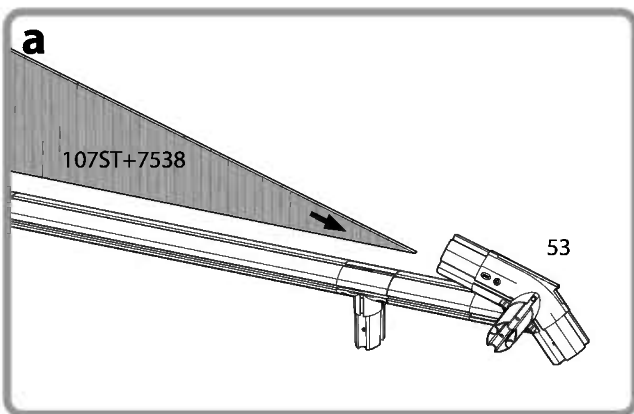
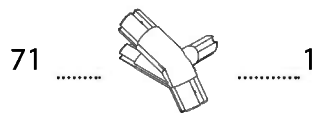
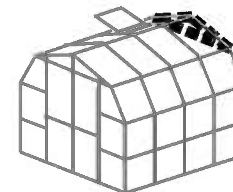


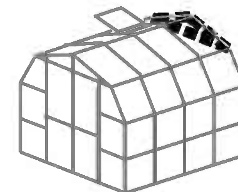


PN61 ..... 2

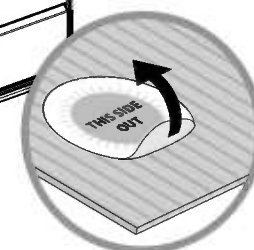
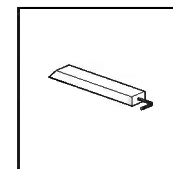
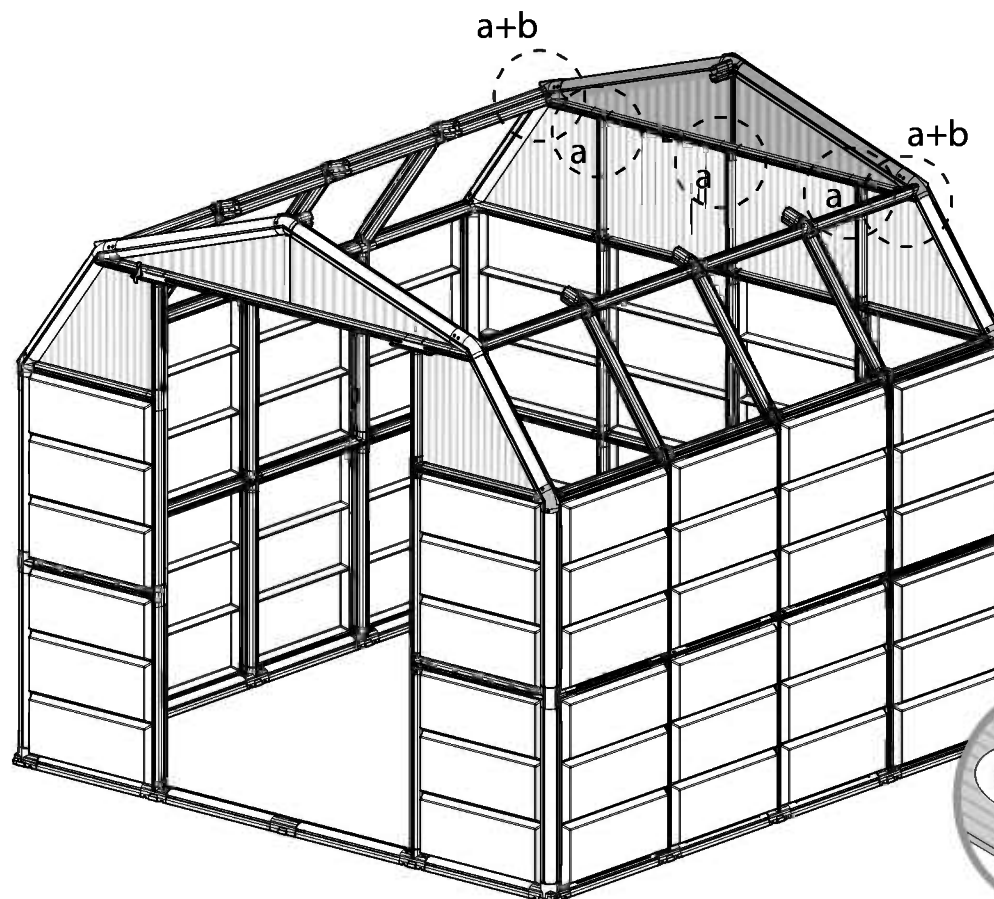
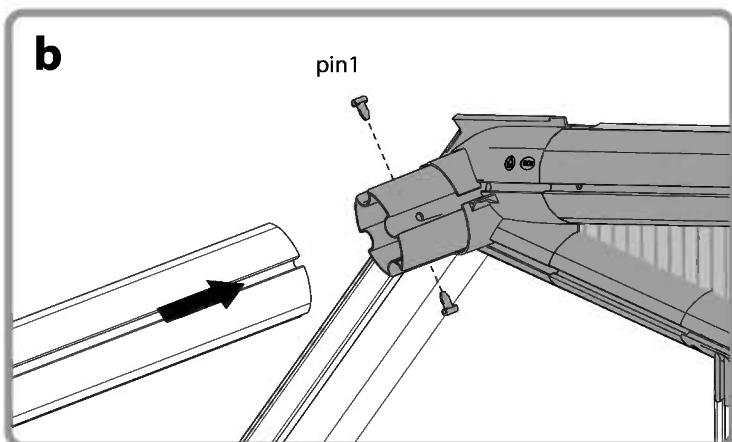
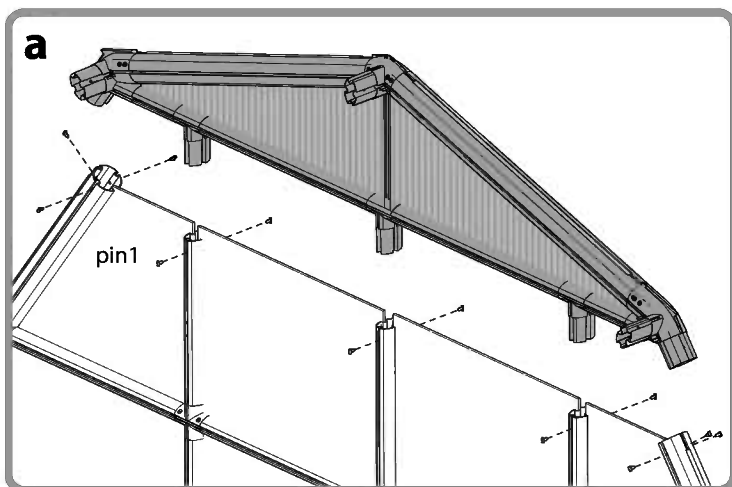


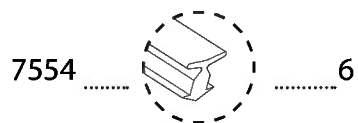
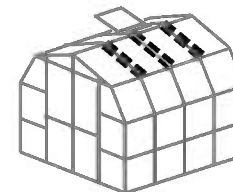






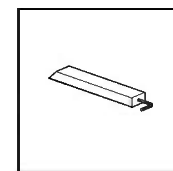
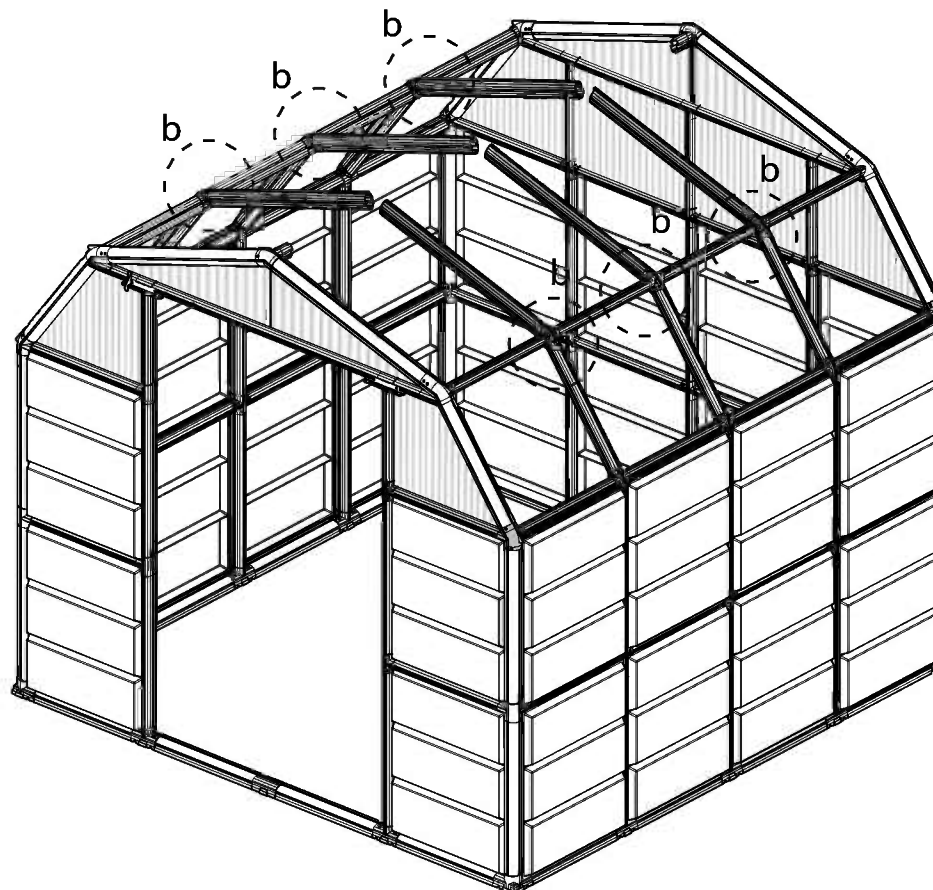
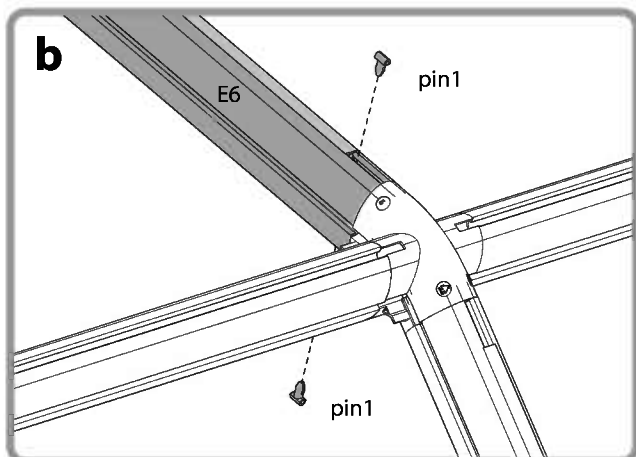
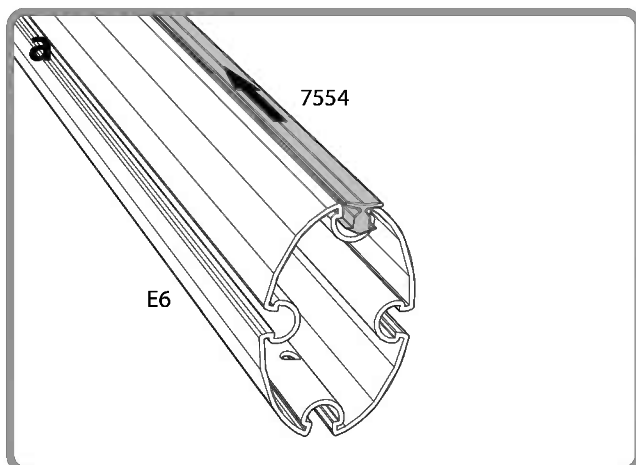
PIN1 .....  ..... 14

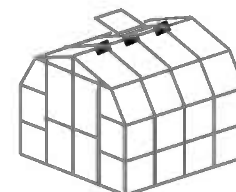




Extension Kit

E6	.....	2
7554	.....	2
PIN1	.....	4





5A ..... 3



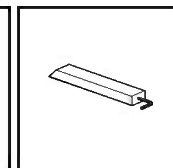
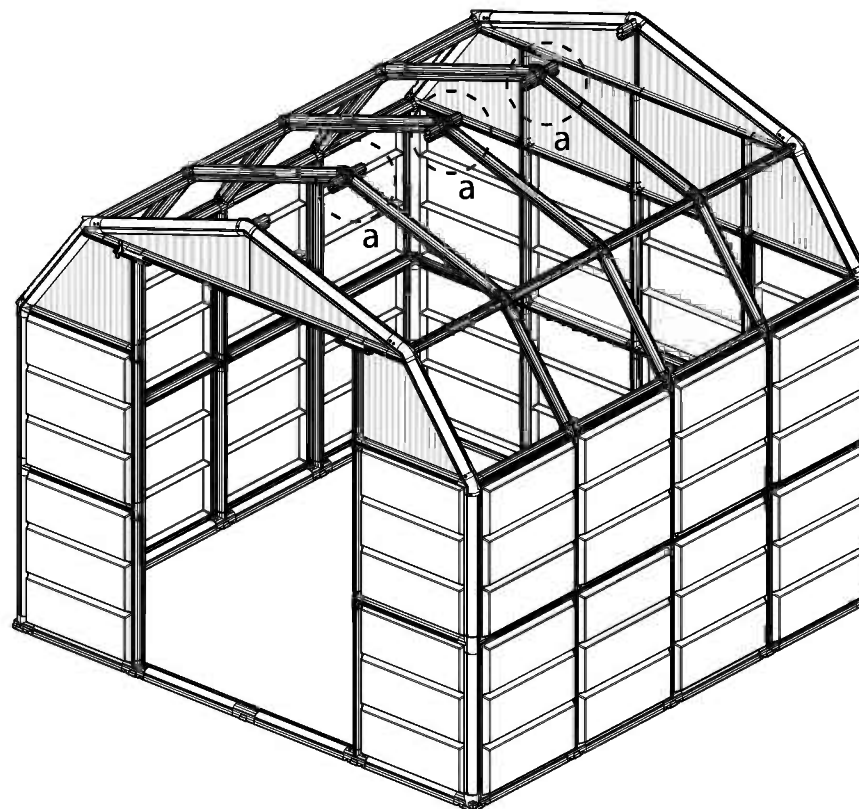
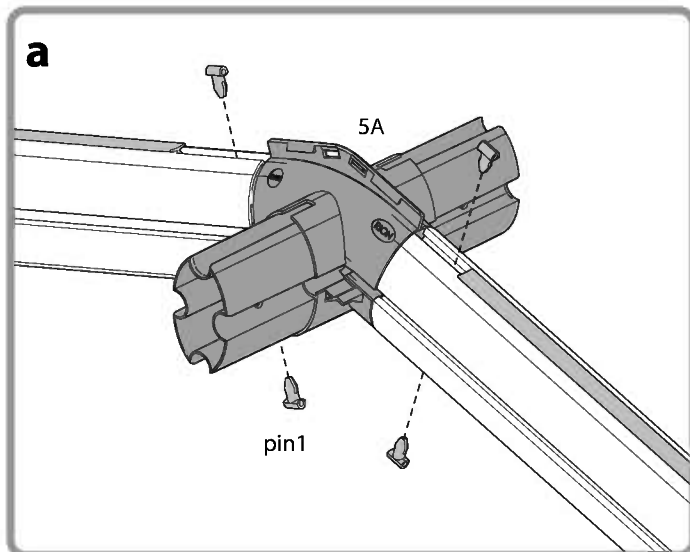
PIN1 ..... 12



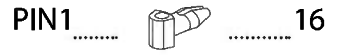
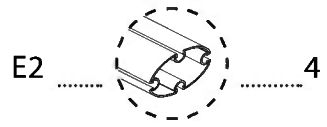
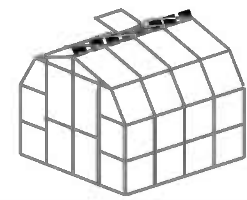
Extension Kit

5A ..... 1

PIN1 ..... 4

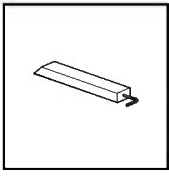
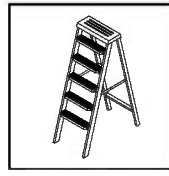
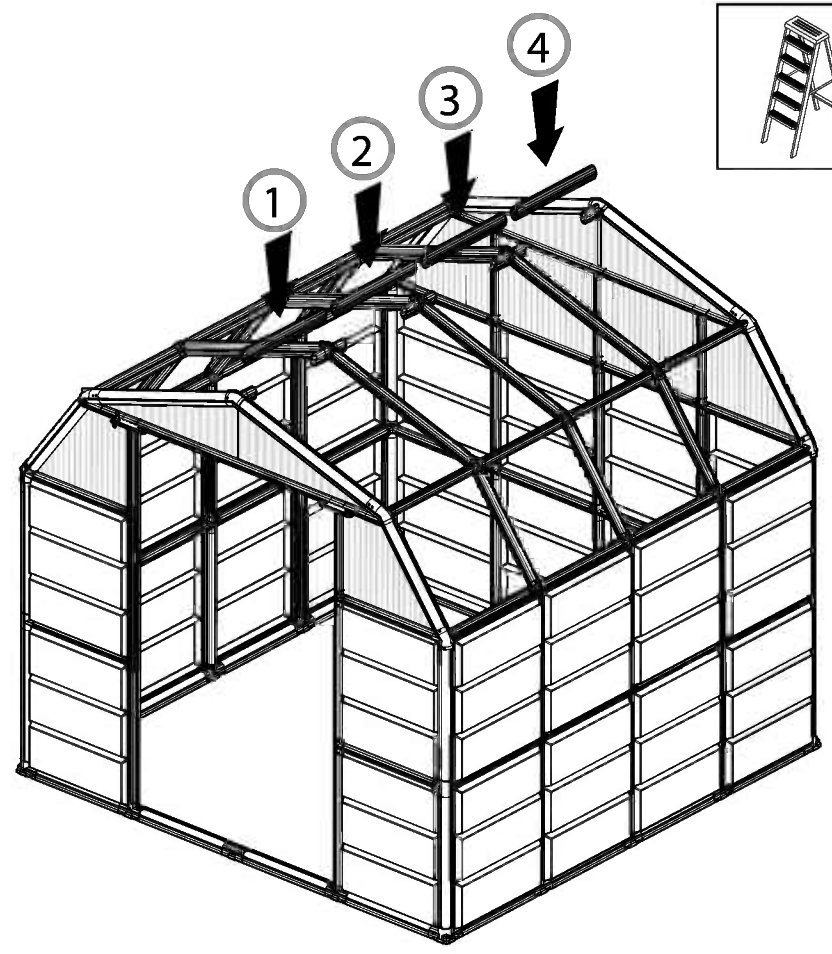
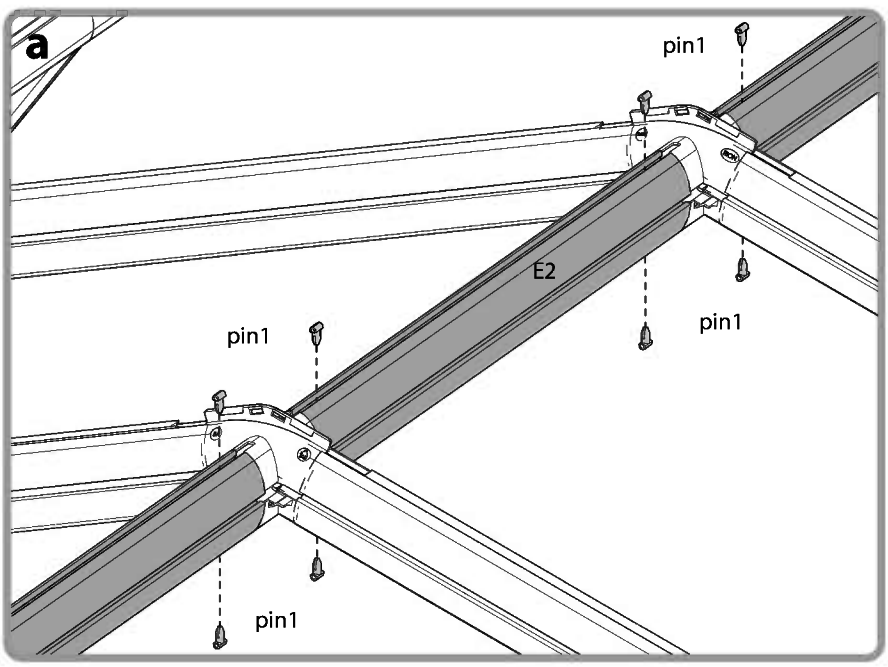


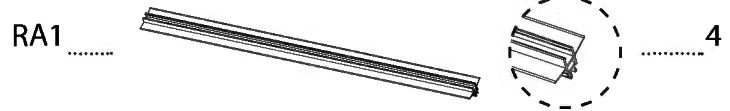
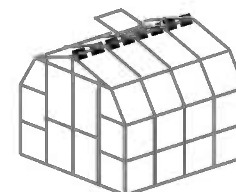




E2 ..... 1

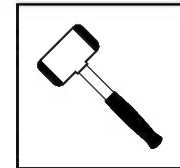
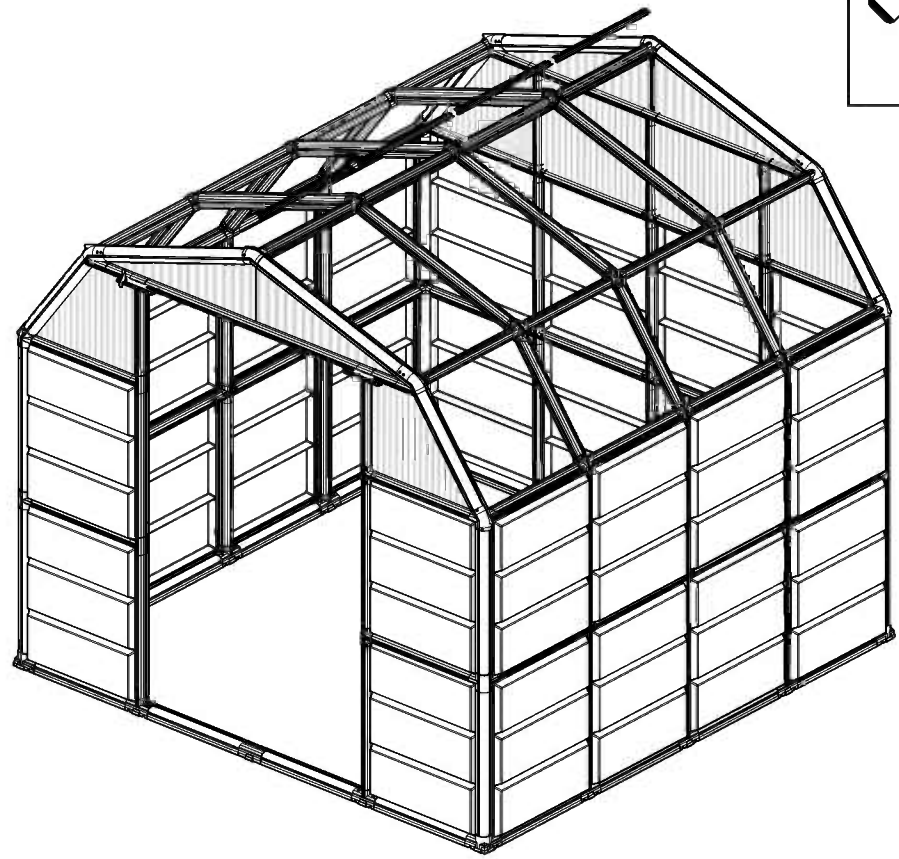
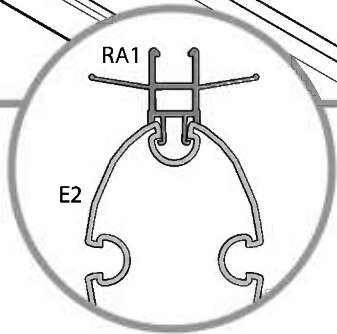
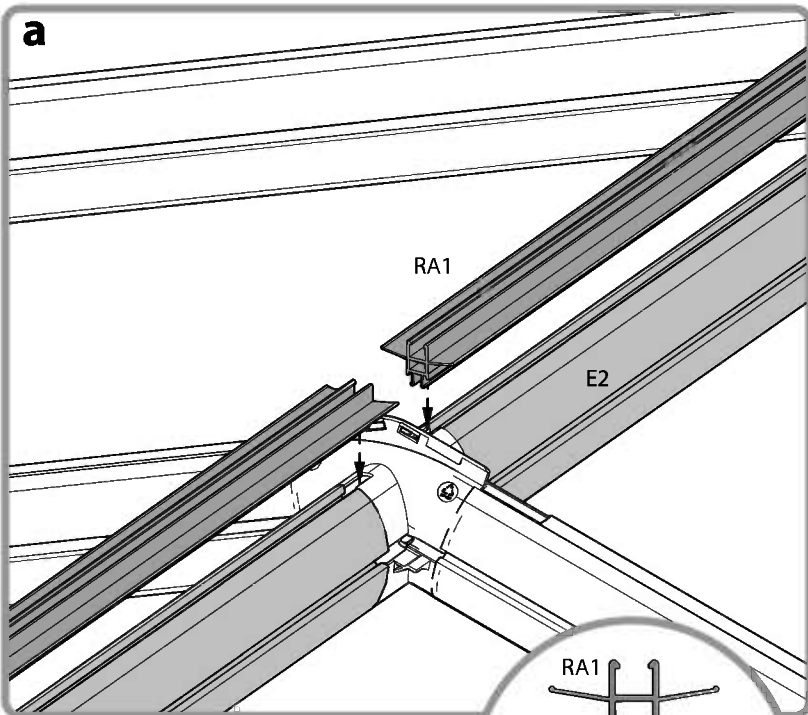
PIN1 ..... 2

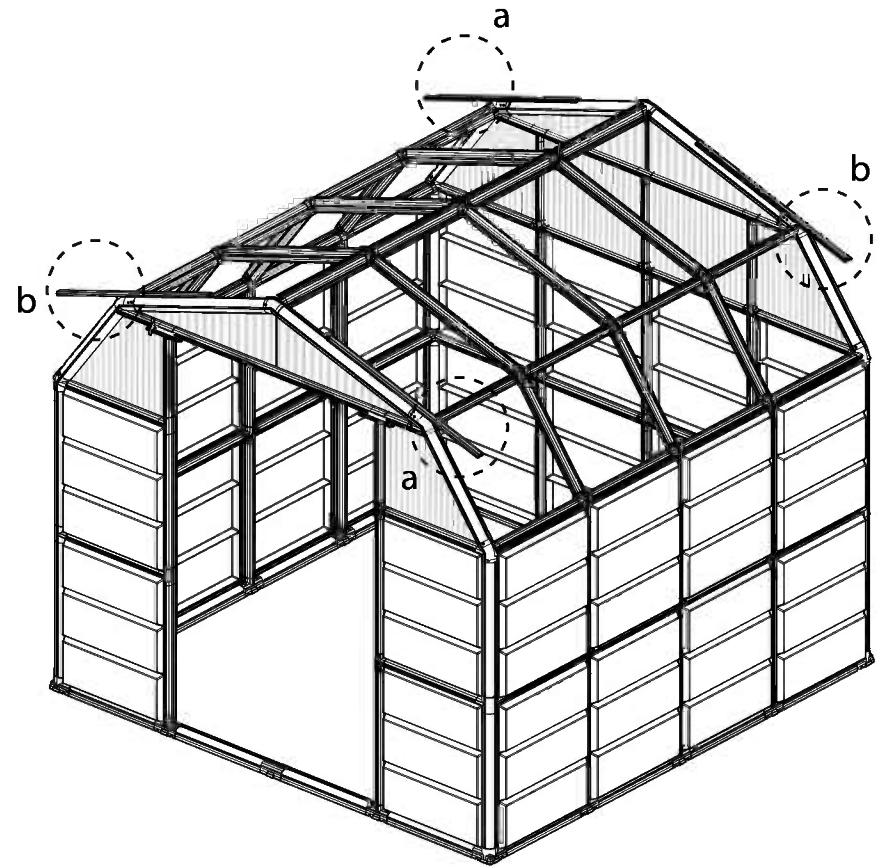
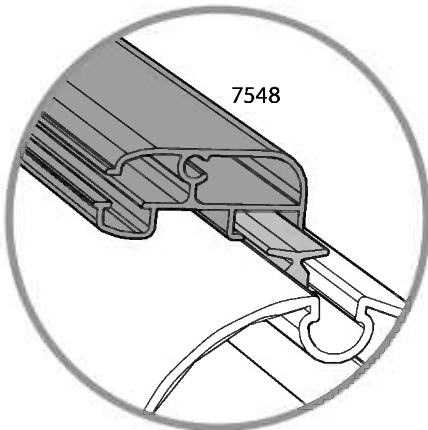
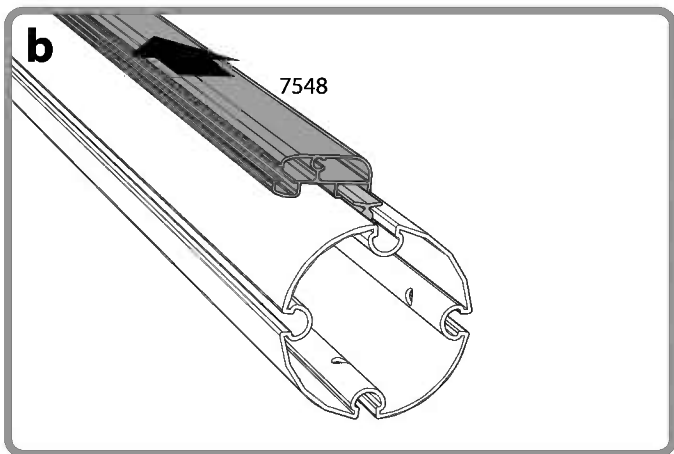
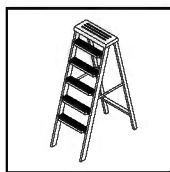
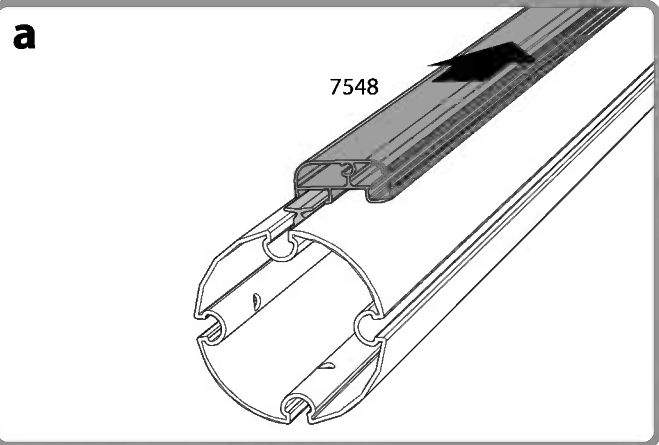
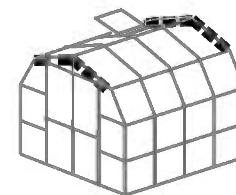


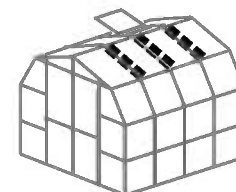


Extension Kit

RA1 ..... 1







7551 .....

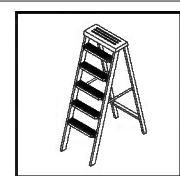
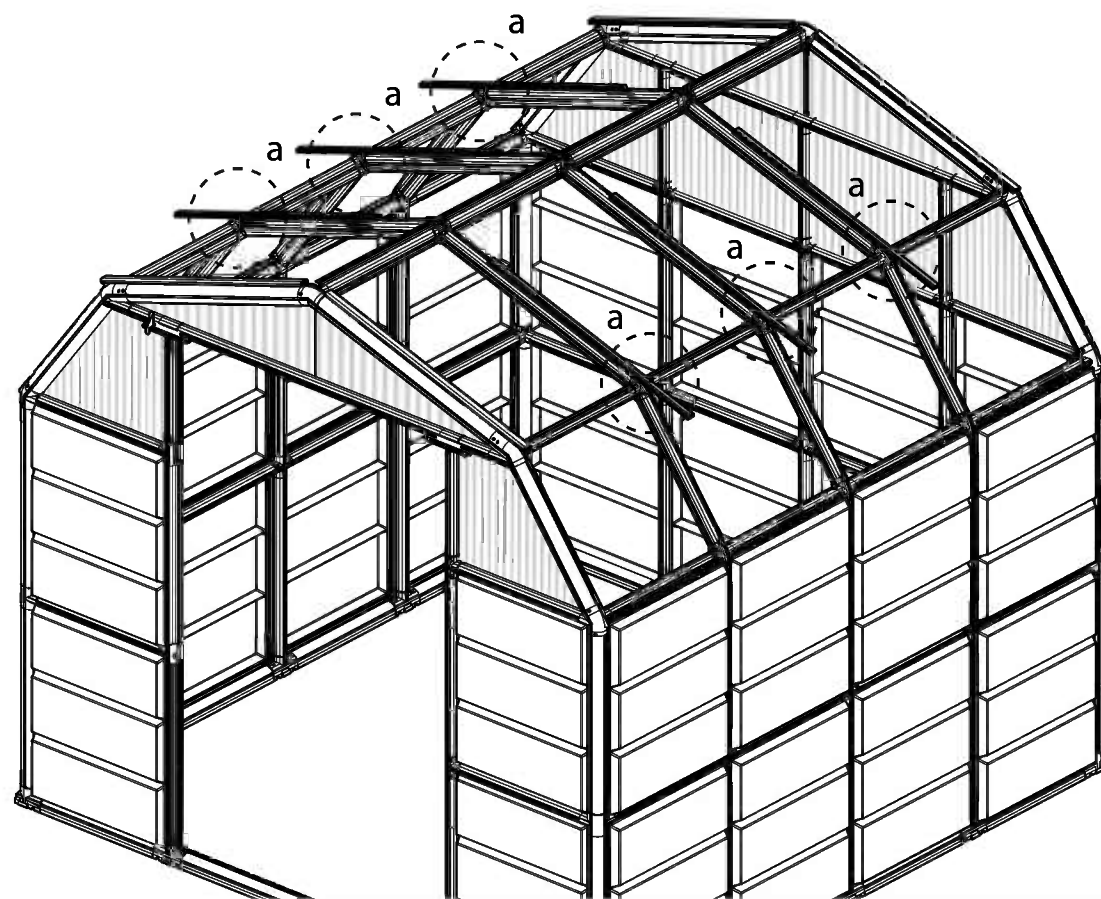
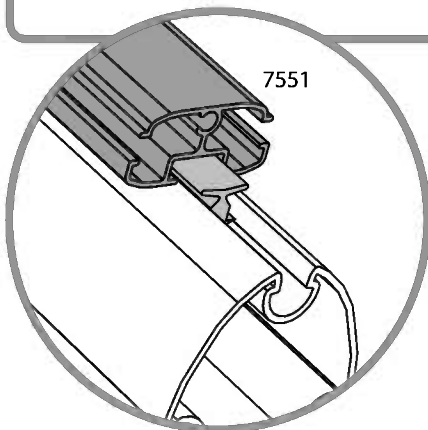
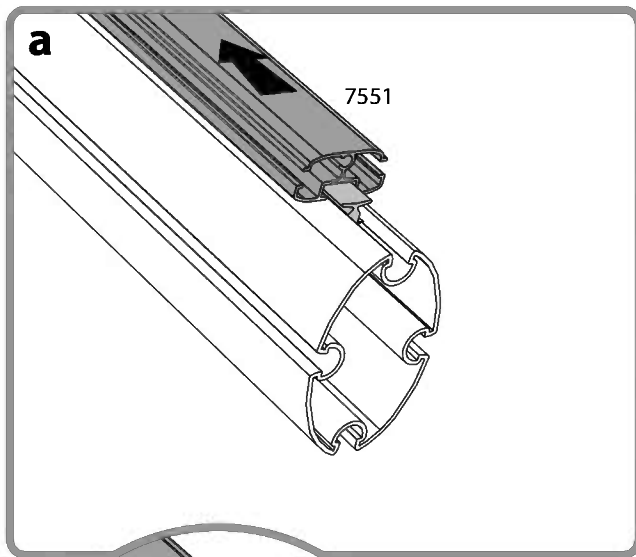


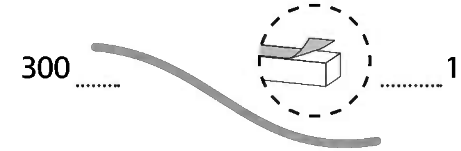
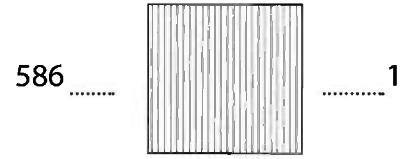
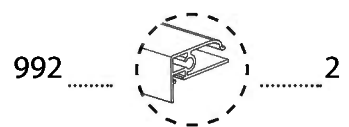
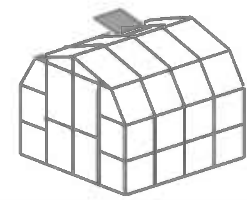
..... 6



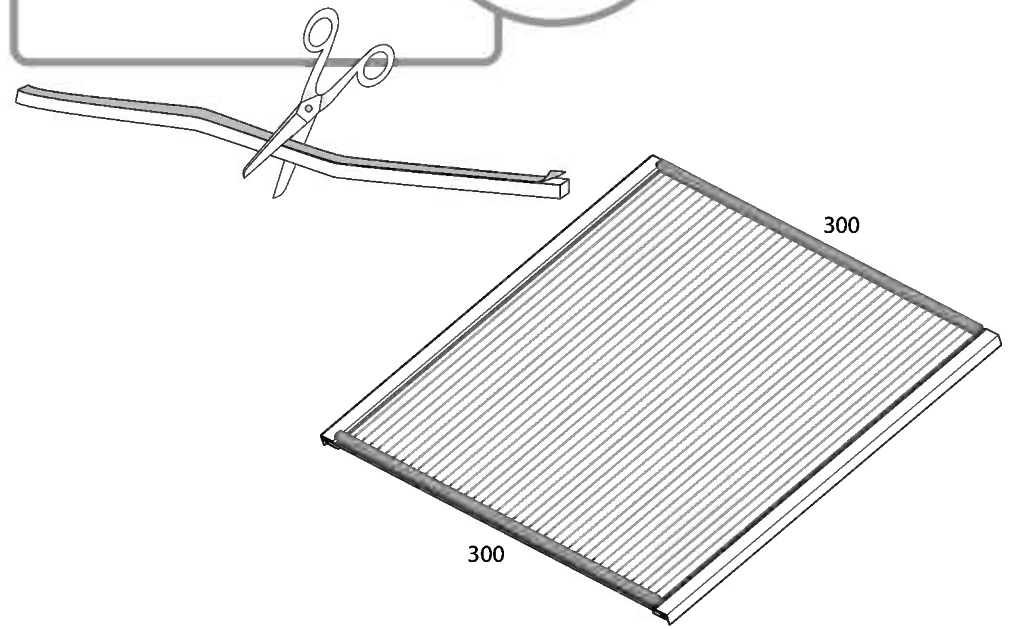
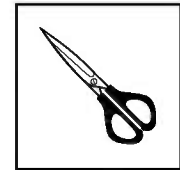
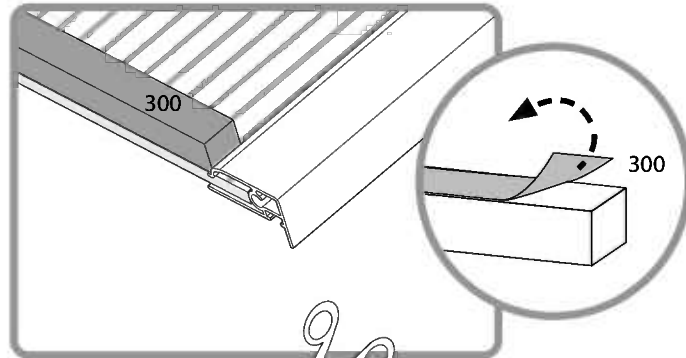
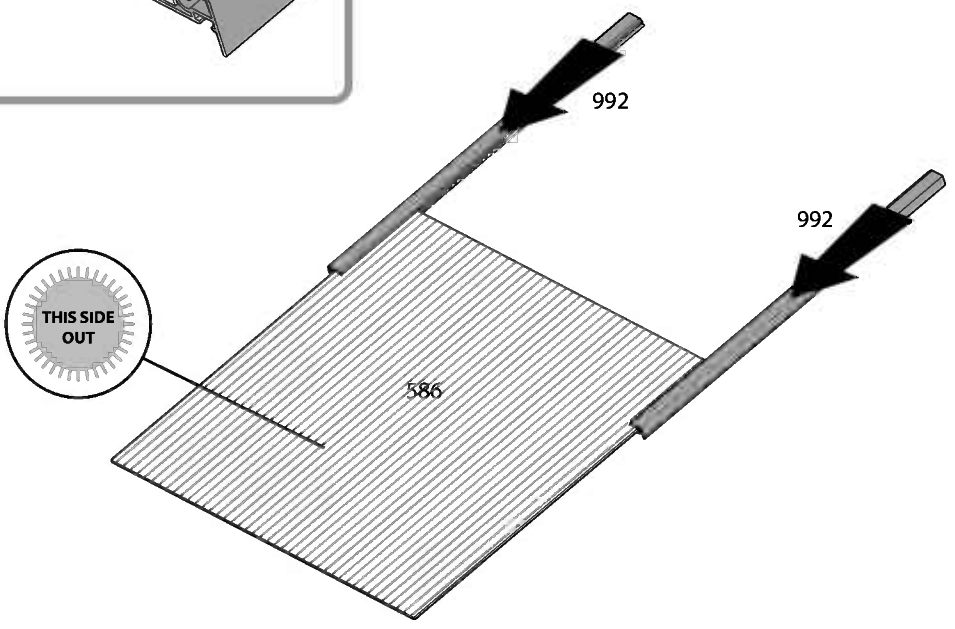
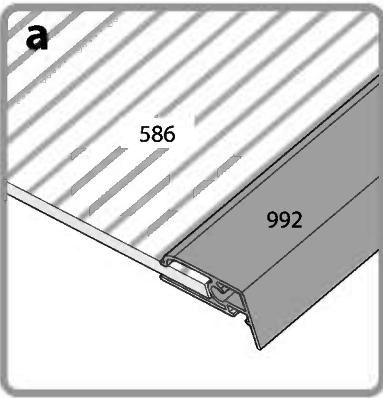
Extension Kit

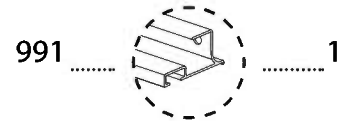
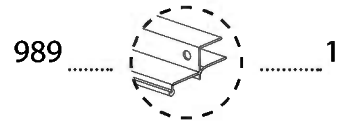
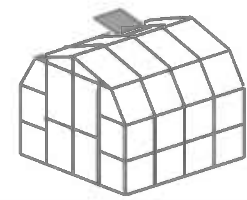
7551 ..... 2



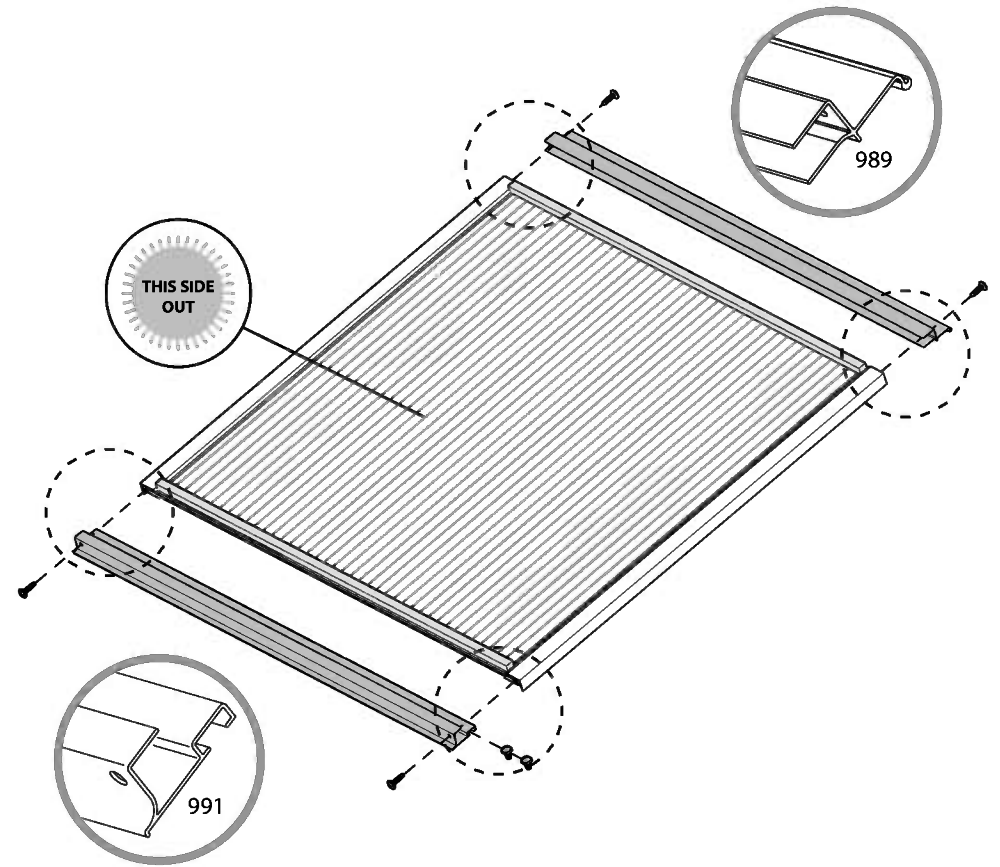
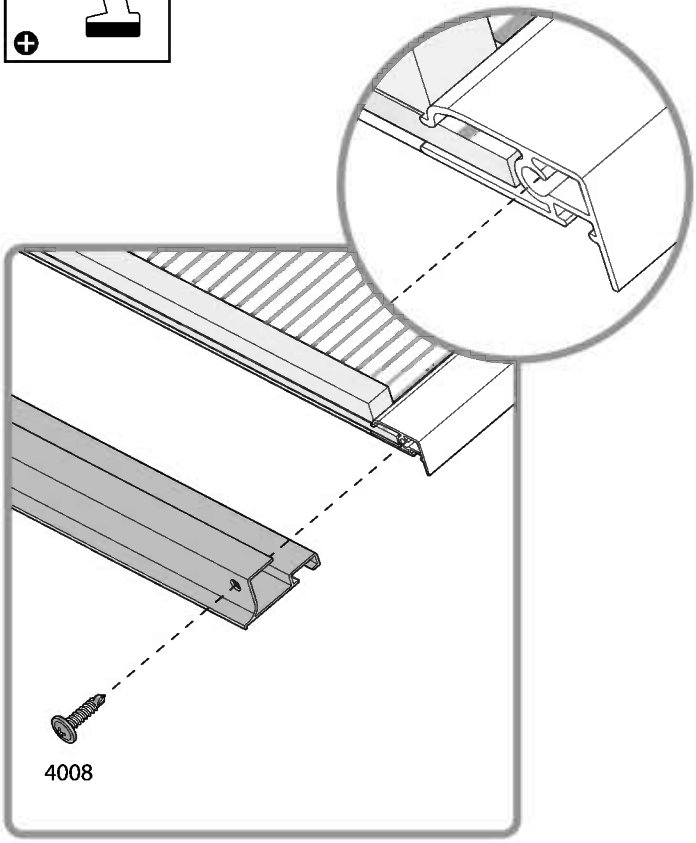
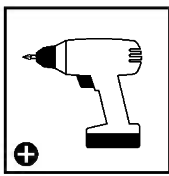


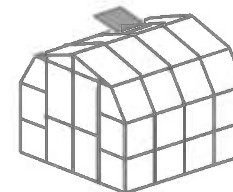
- 992 ..... 2
- 586 ..... 1
- 300 ..... 1






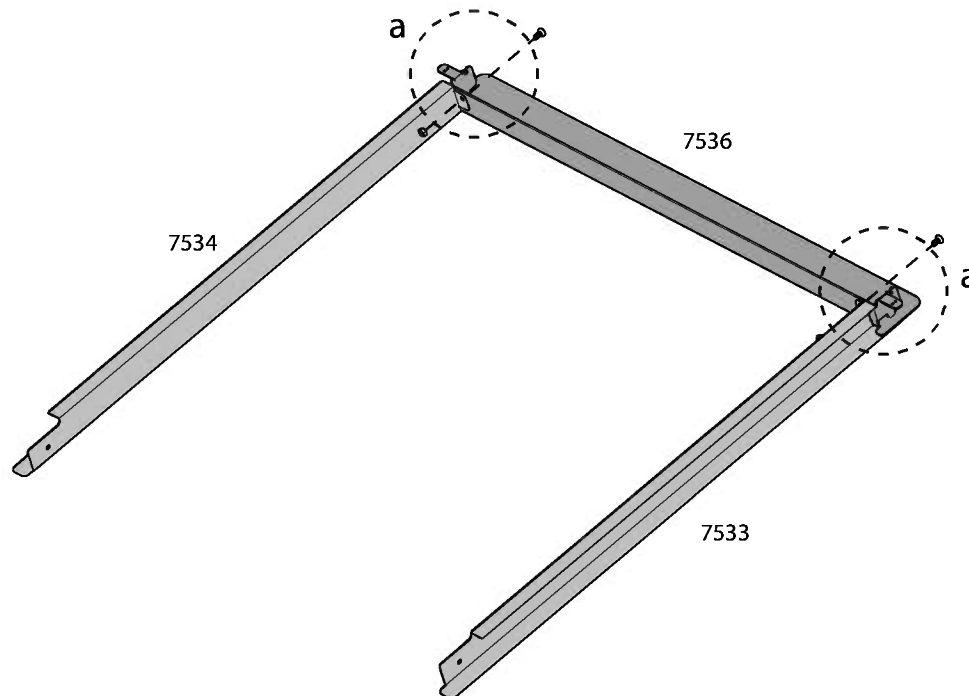
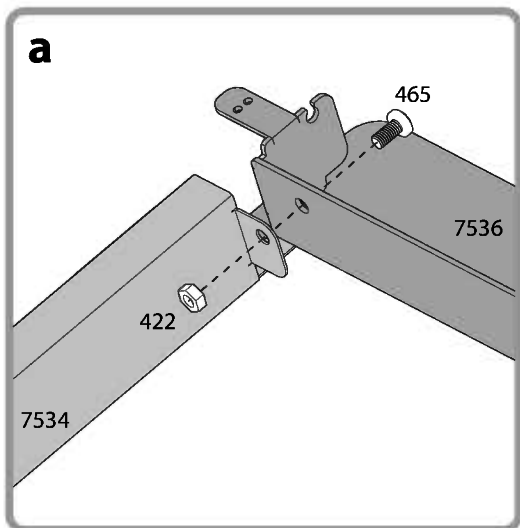
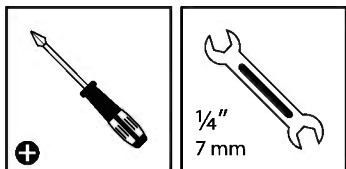
- 989 ..... 1
- 991 ..... 1
- 4008 ..... 4

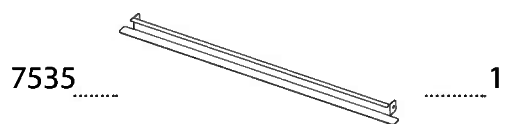
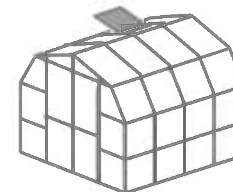





7536 .....		..... 1	7534 .....		..... 1	465 .....		..... 2	 <p>Extension Kit</p>
7533 .....		..... 1				422 .....		..... 2	
							M4x8mm		
							M4		

7536 .....	1
7533 .....	1
7534 .....	1
465 .....	2
422 .....	2



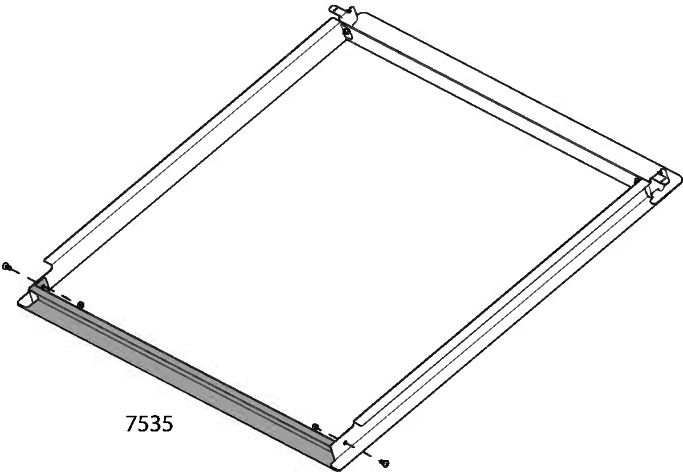


 Extension Kit

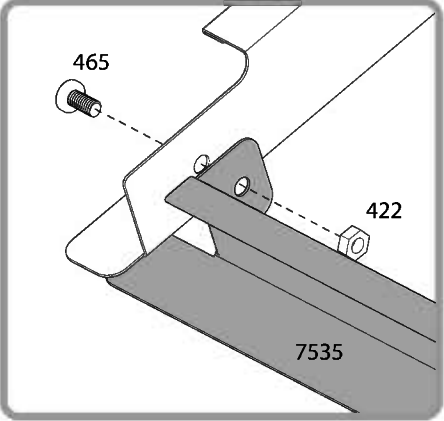
7535 ..... 1

465 ..... 2

422 ..... 2



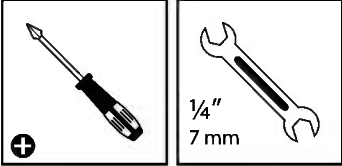
7535



465

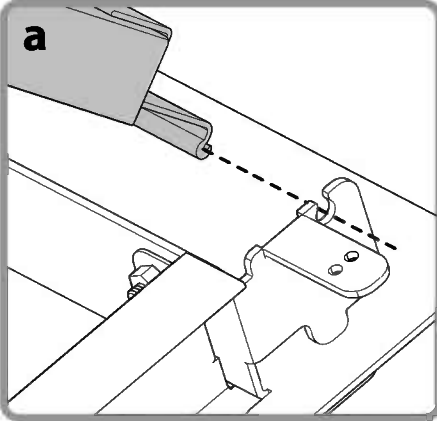
422

7535

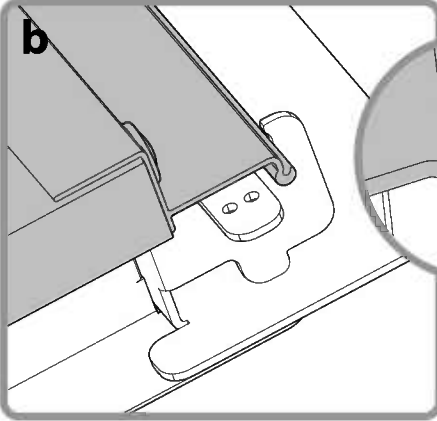


+

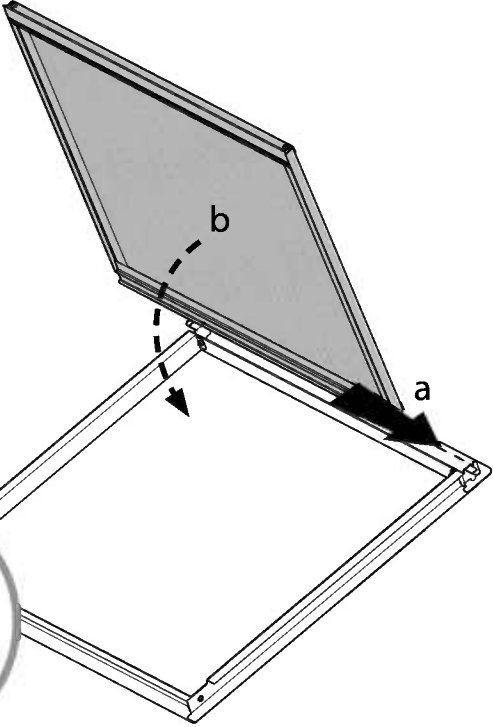
1/4" 7 mm



a



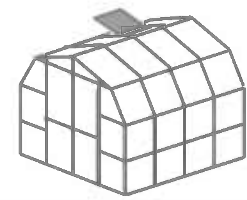
b



a

b





7540.....



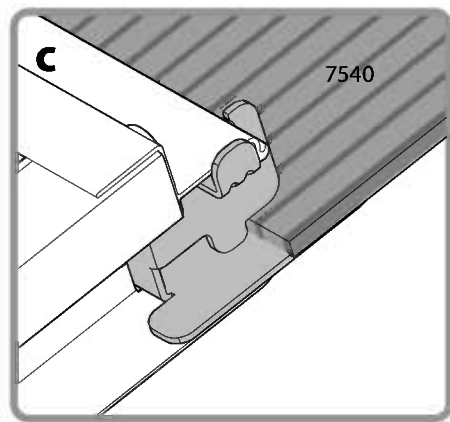
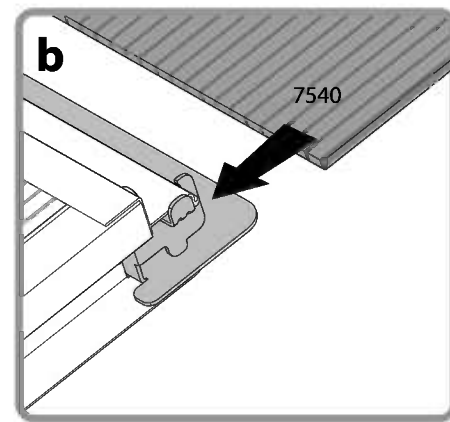
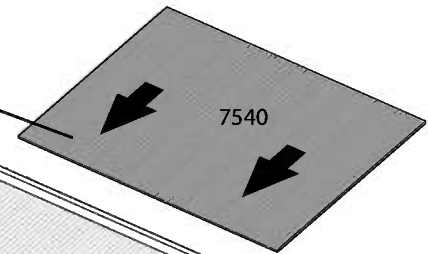
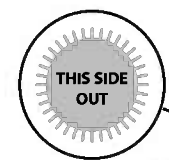
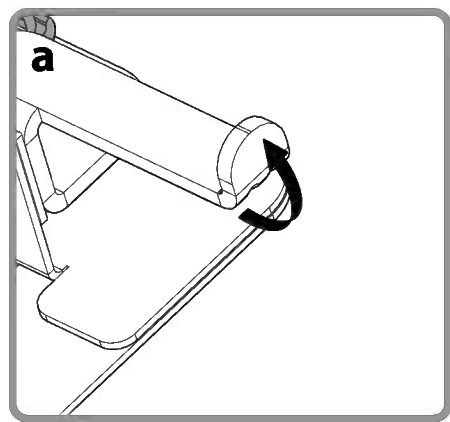
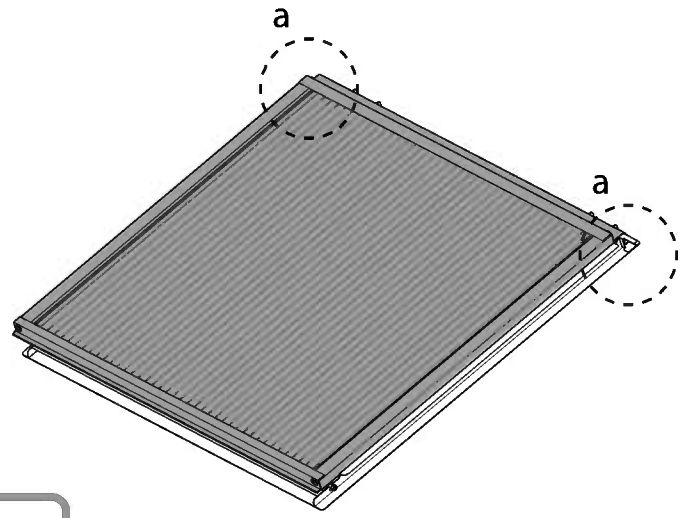
.....1

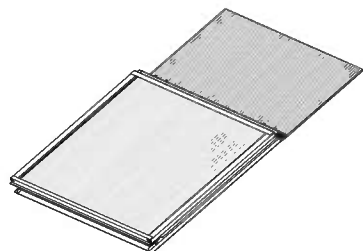
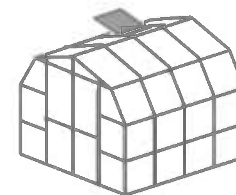


Extension Kit

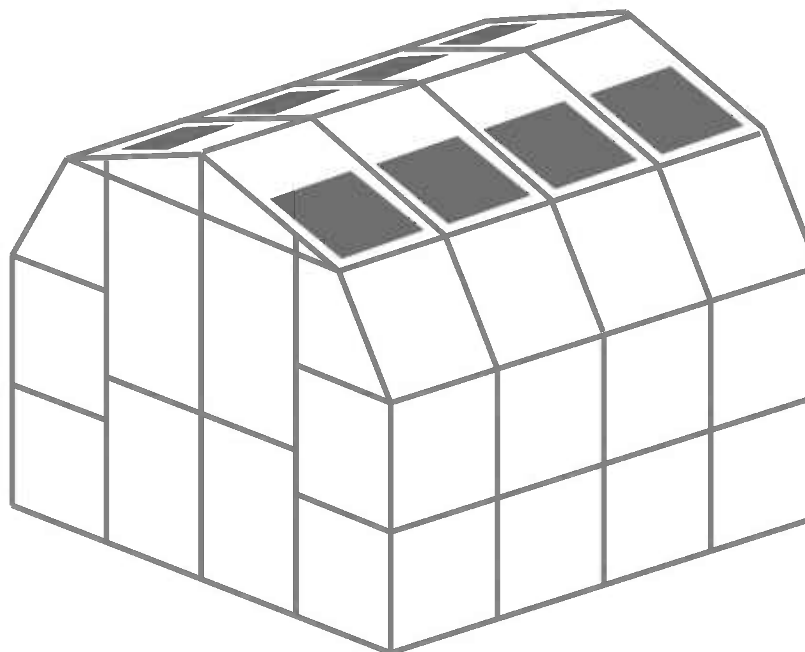
7540.....

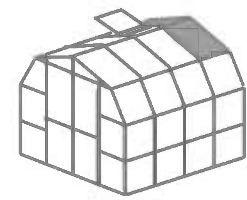
.....1



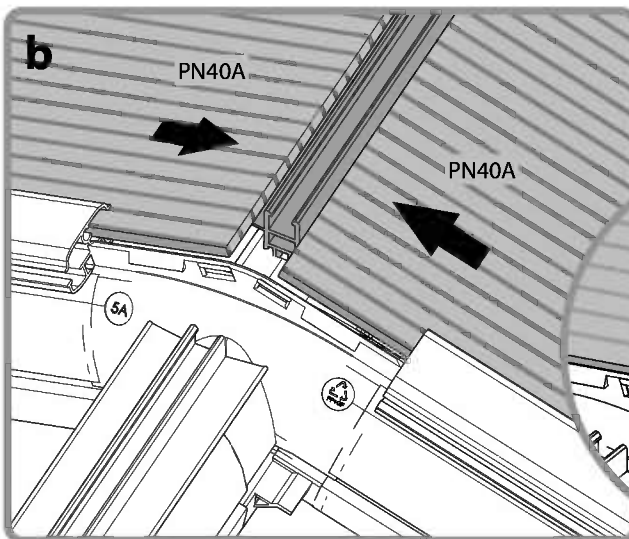
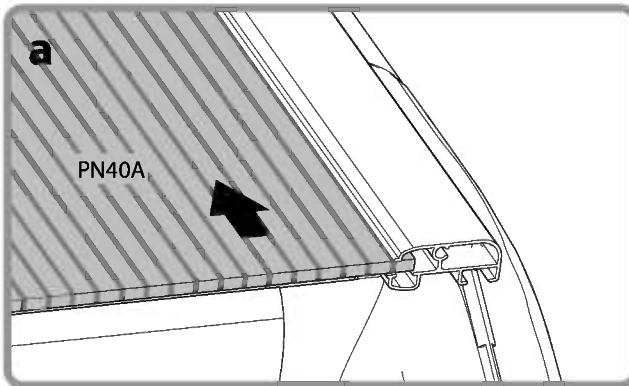
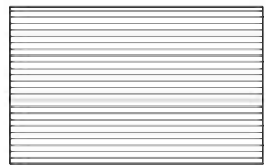


- EN** Windows Location
- DE** Fenster Standort
- FR** Fenêtre Emplacement
- ES** Ventana Ubicación

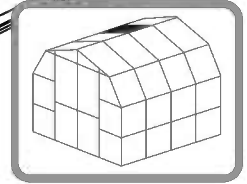
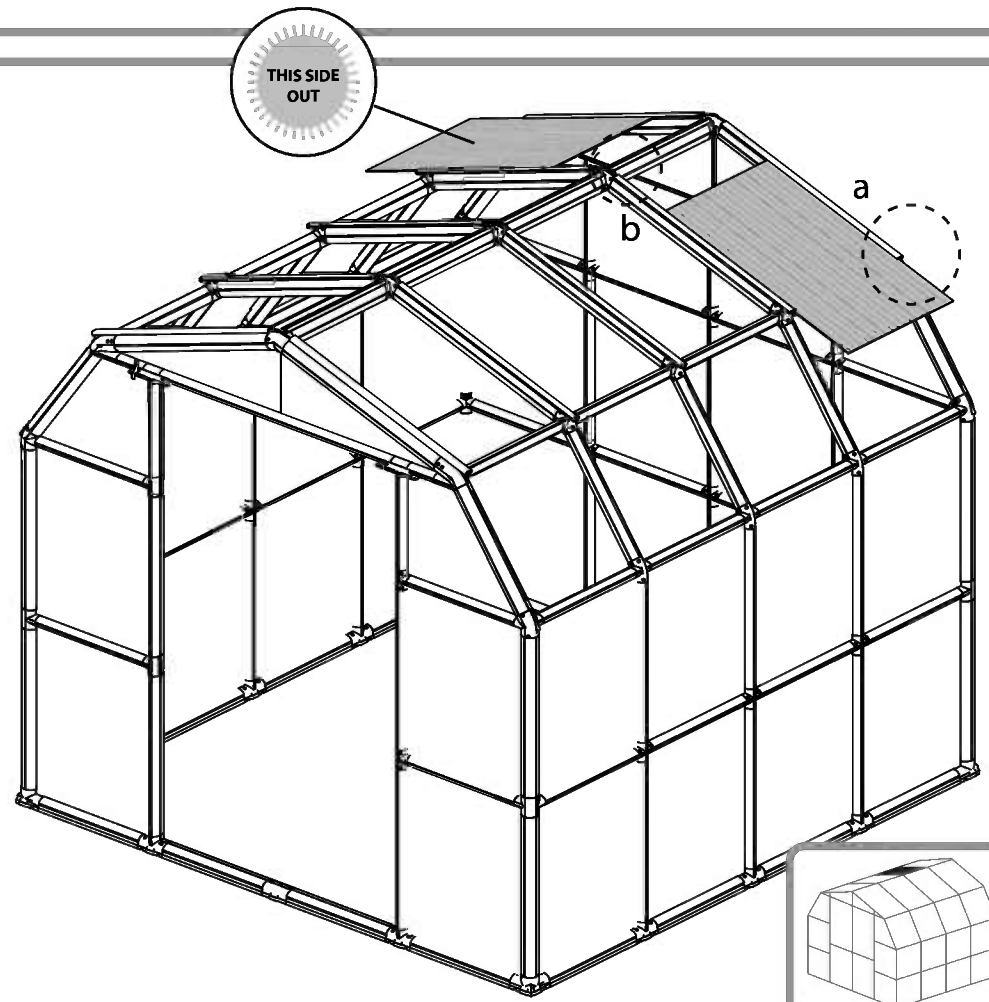




PN40A ..... 2



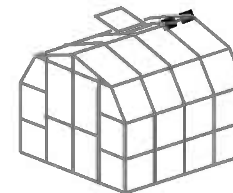
THIS SIDE OUT



46



Panels are inserted between RA1 and RC3.

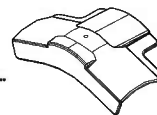


RC3

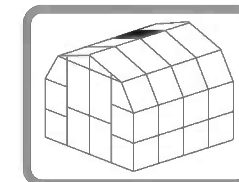
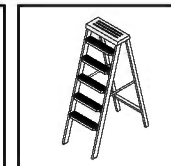
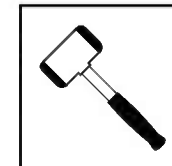
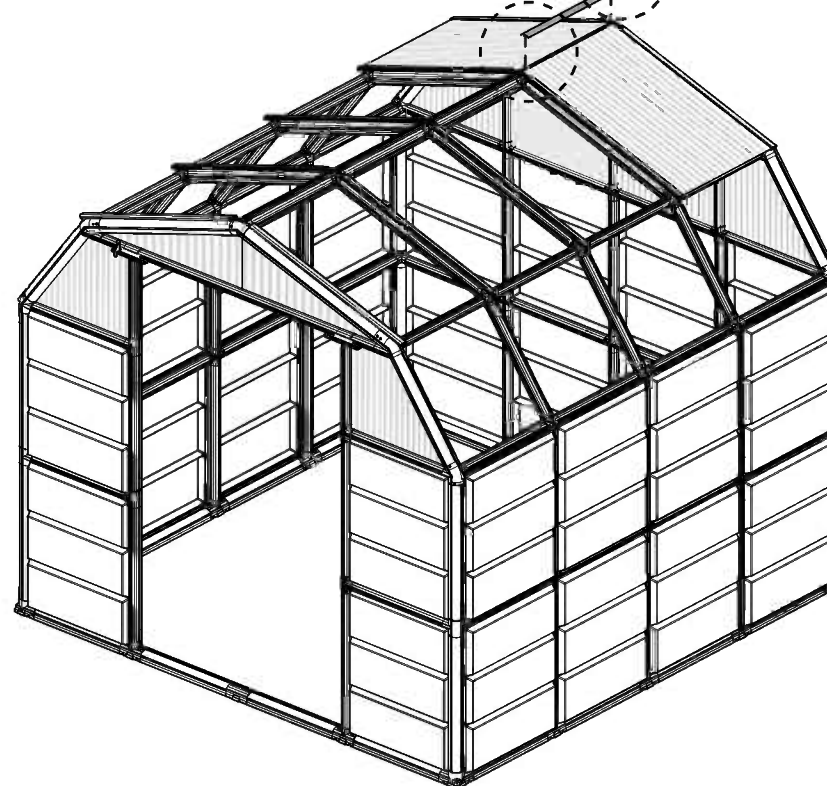
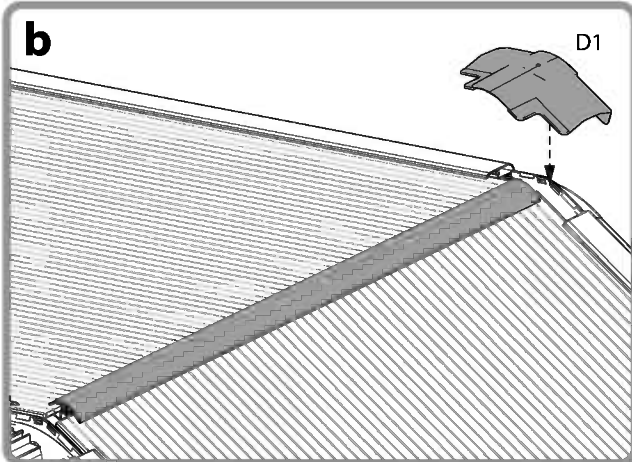
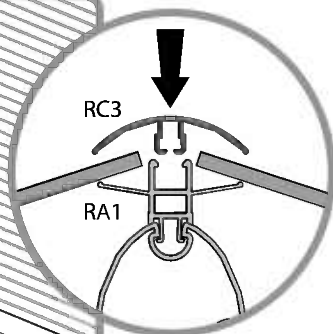
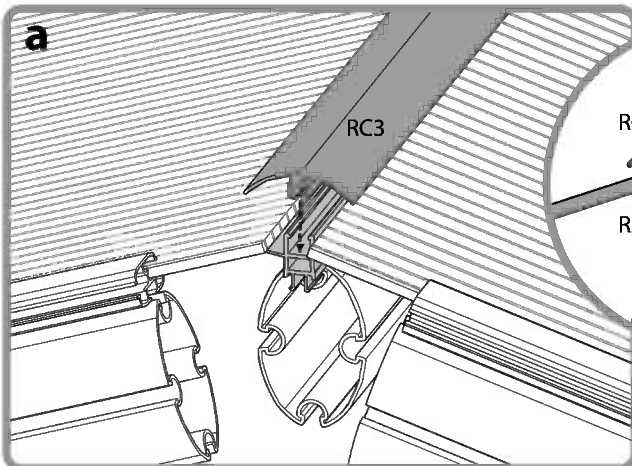


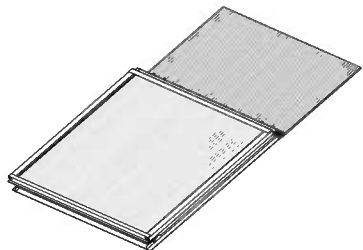
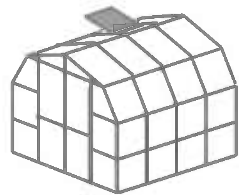
1

D1

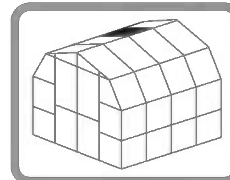
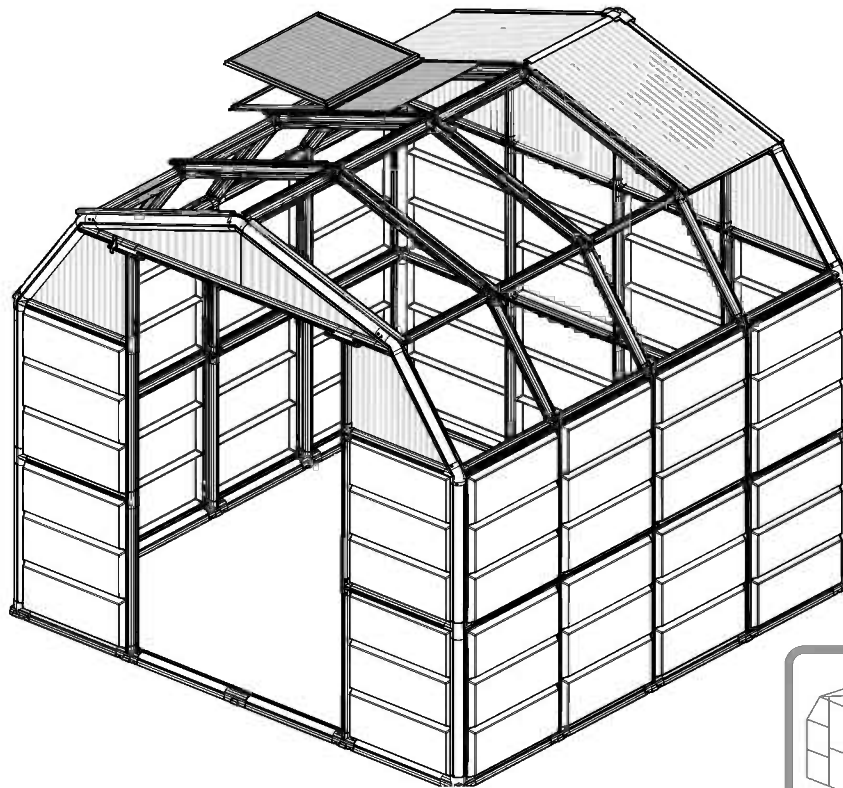
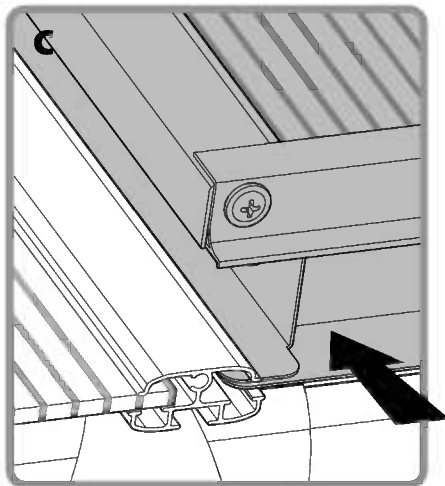
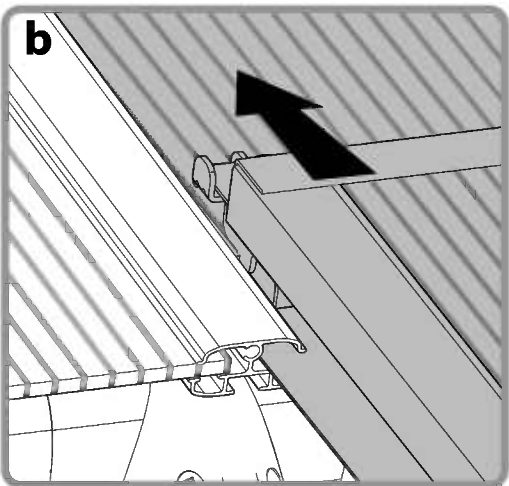
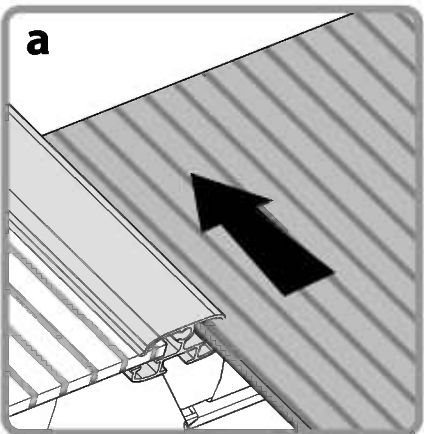
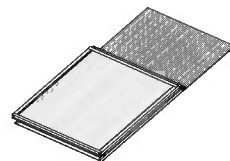


1



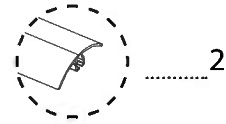
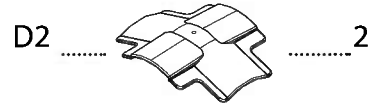
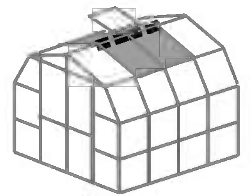


Extension Kit

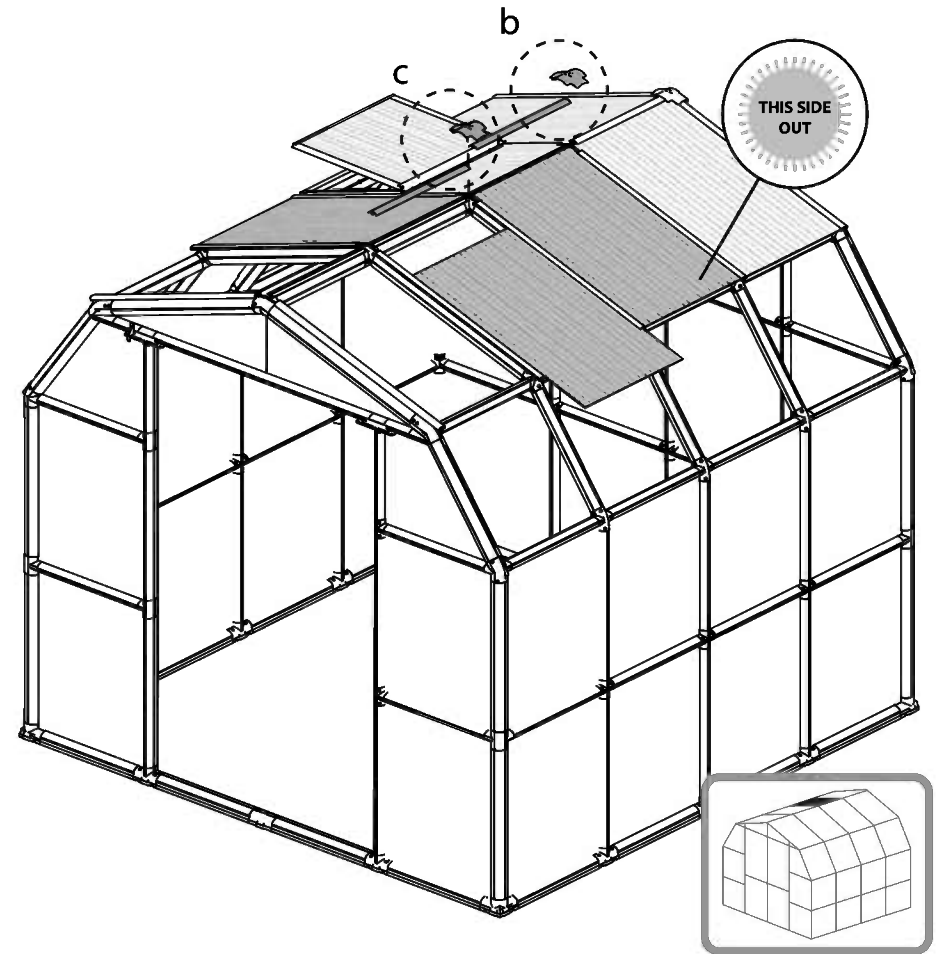
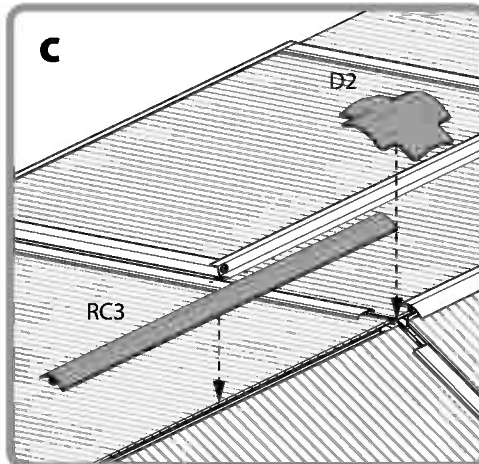
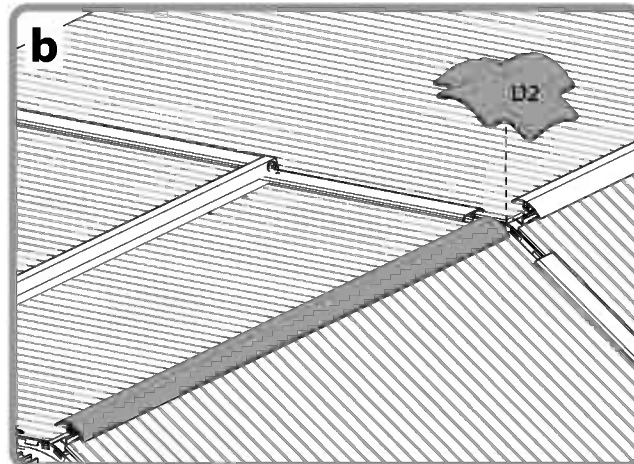
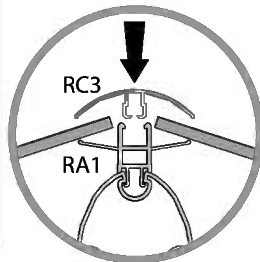
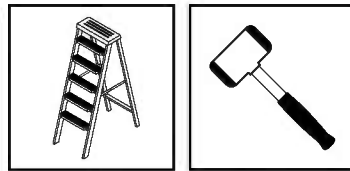
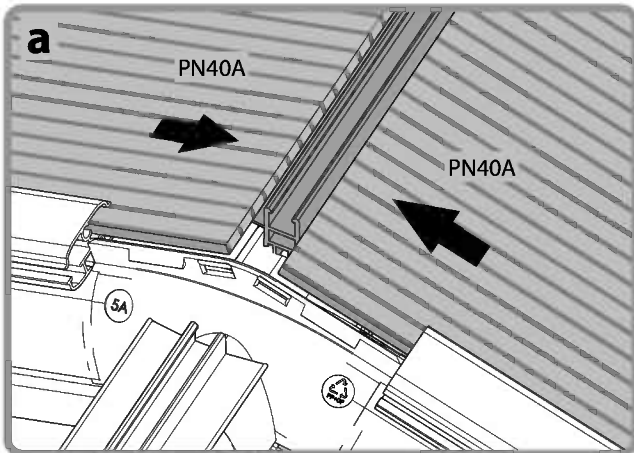




Panels are inserted between RA1 and RC3.

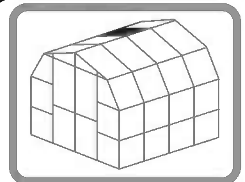
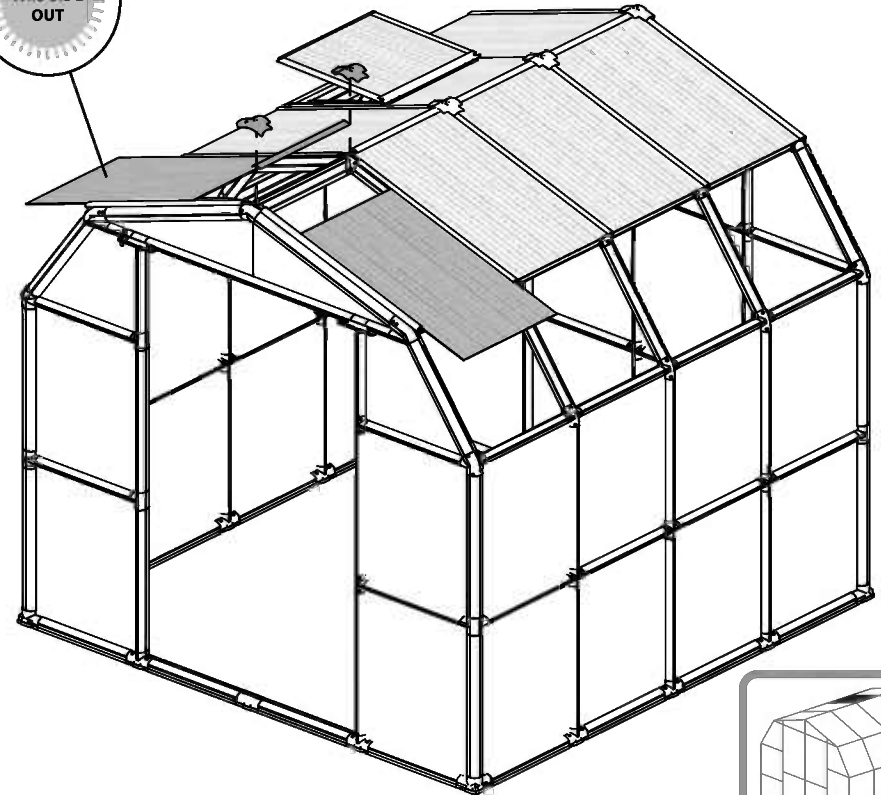
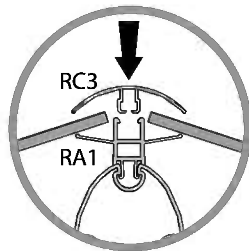
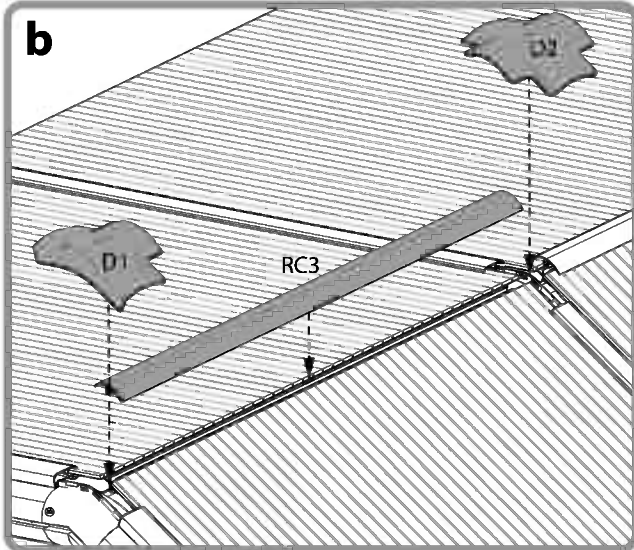
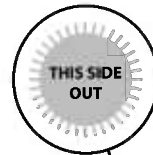
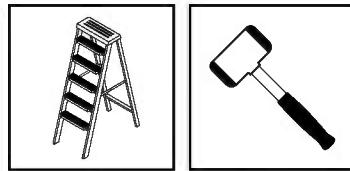
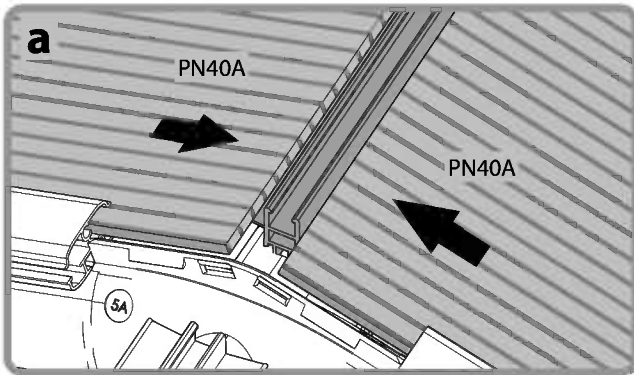
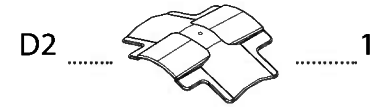
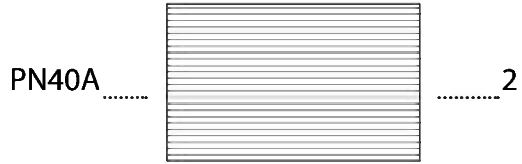
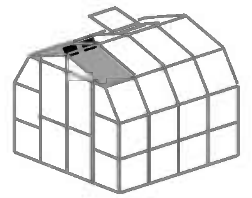


- PN40A ..... 1
- RC3 ..... 1
- D1 ..... 1

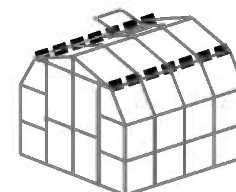




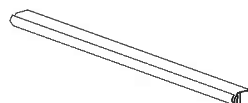
Panels are inserted between RA1 and RC3.







7552 .....

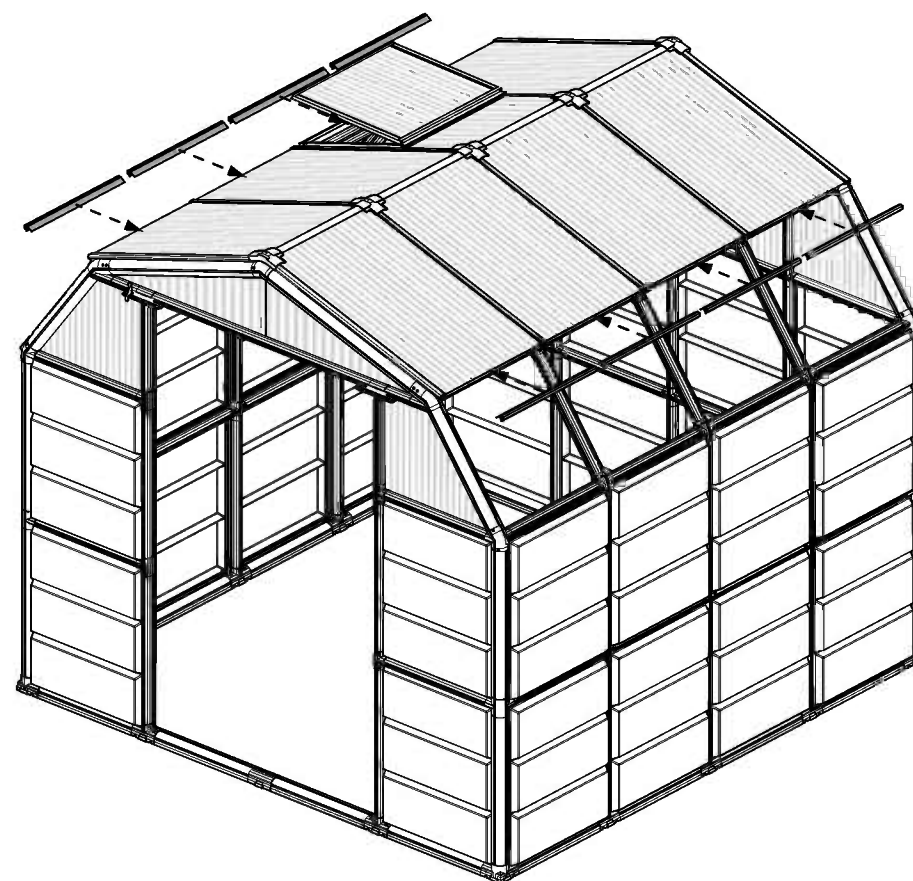
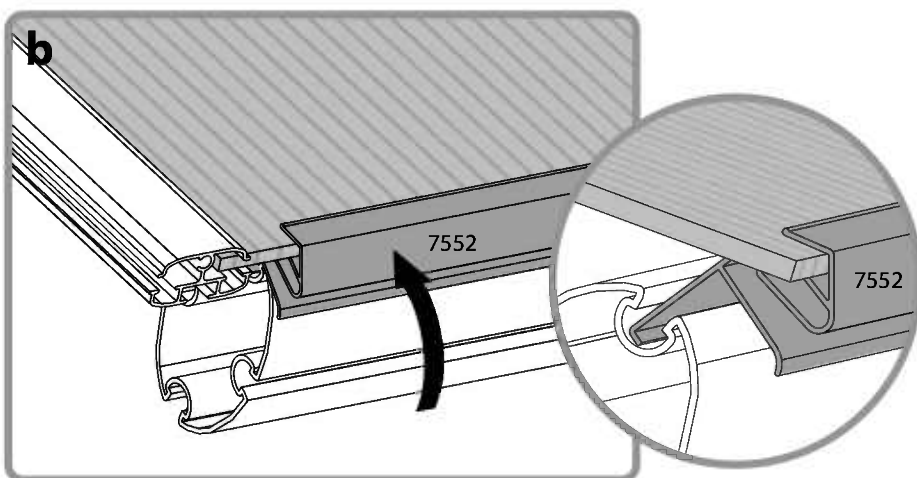
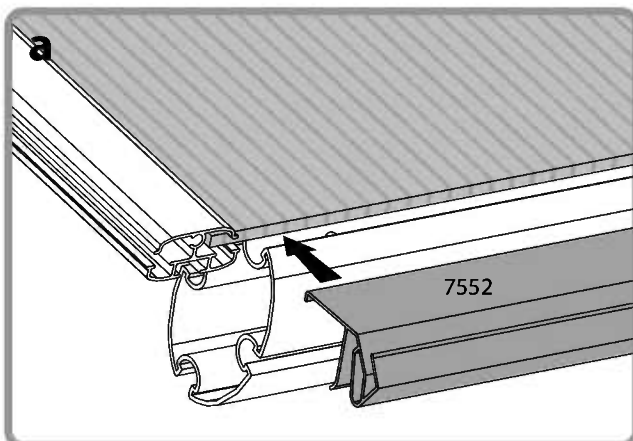


..... 8



Extension Kit

7552 ..... 2

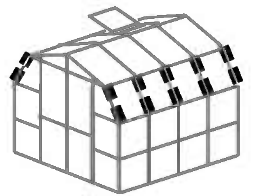




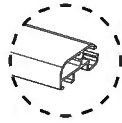
51



Before connecting to the profiles, the connectors should be pressed until a hinge is formed.

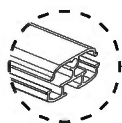


7446



4

7549



6

72



2

73



2

74



6

4043



10



Extension Kit

7549

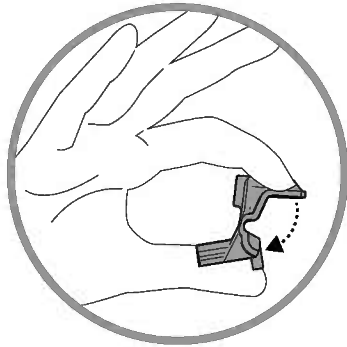
2

74

2

4043

2



a



b



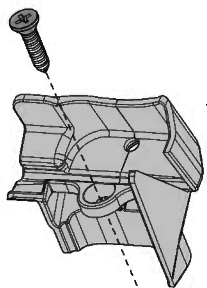
c



a

x2

4043



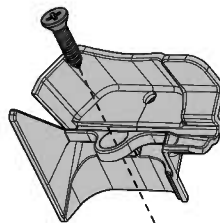
72

7446

b

x2

4043



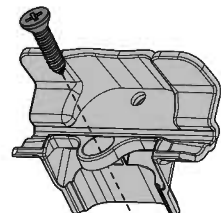
73

7446

c

x6

4043



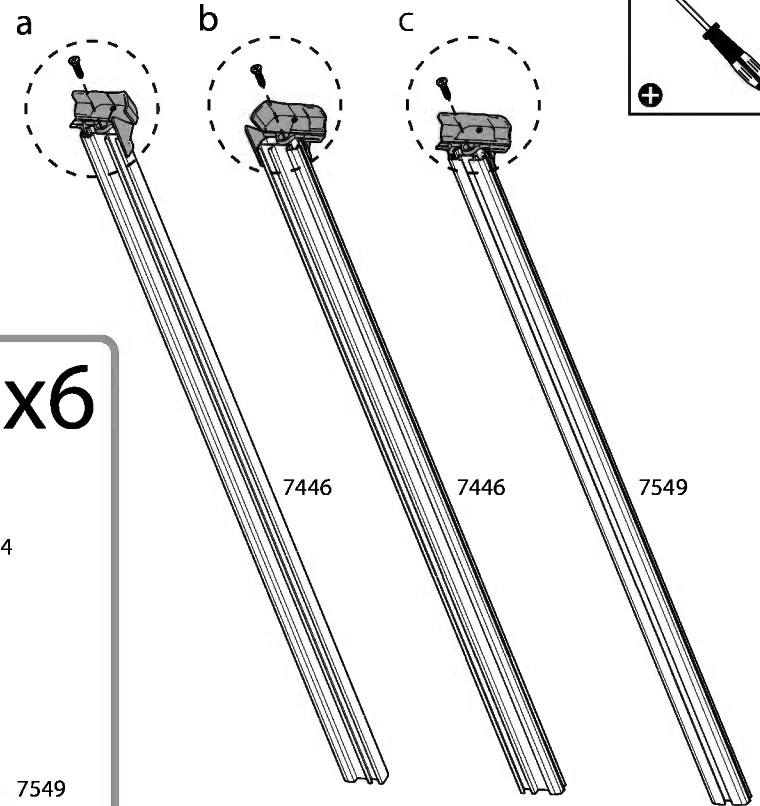
74

7549

7446

7446

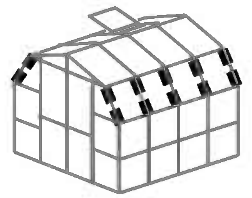
7549



52



Make sure the connector is tight - Drawing B.

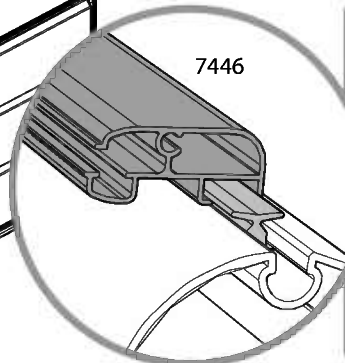
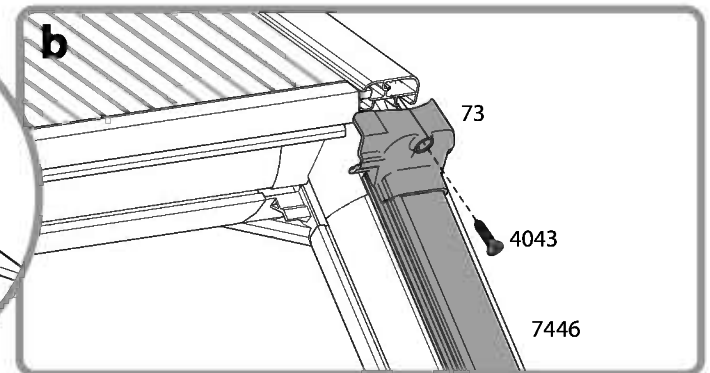
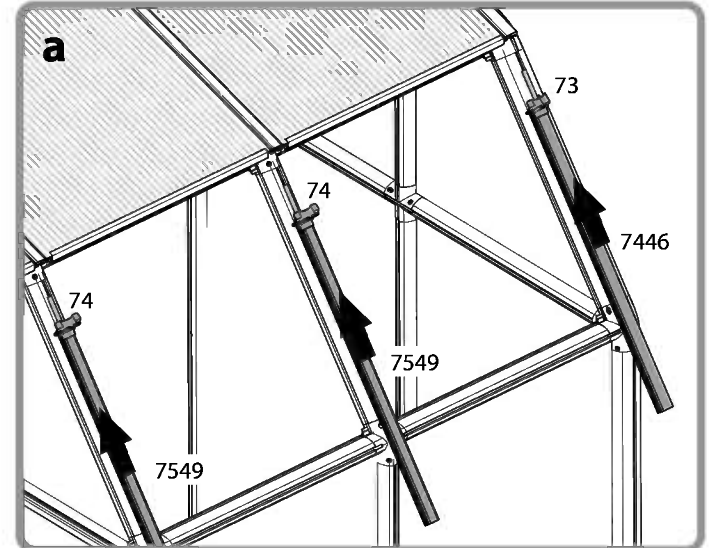
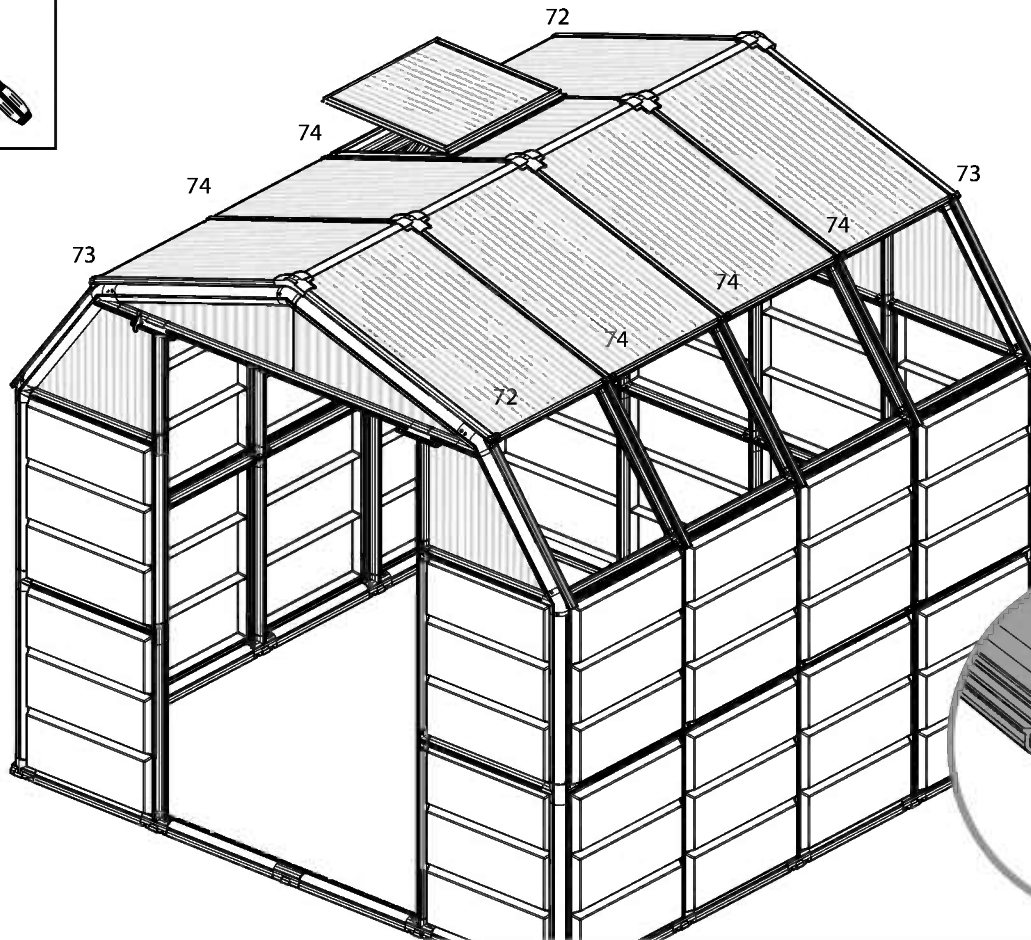
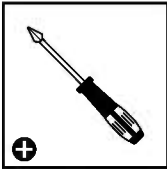


4043 ..... 10



Extension Kit

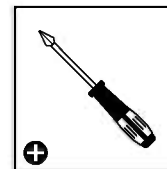
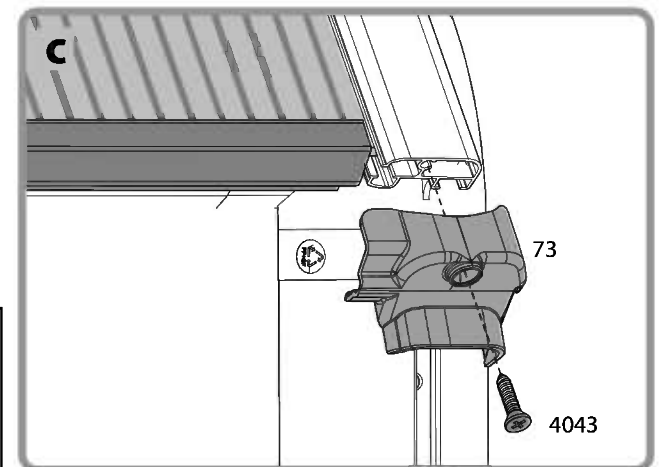
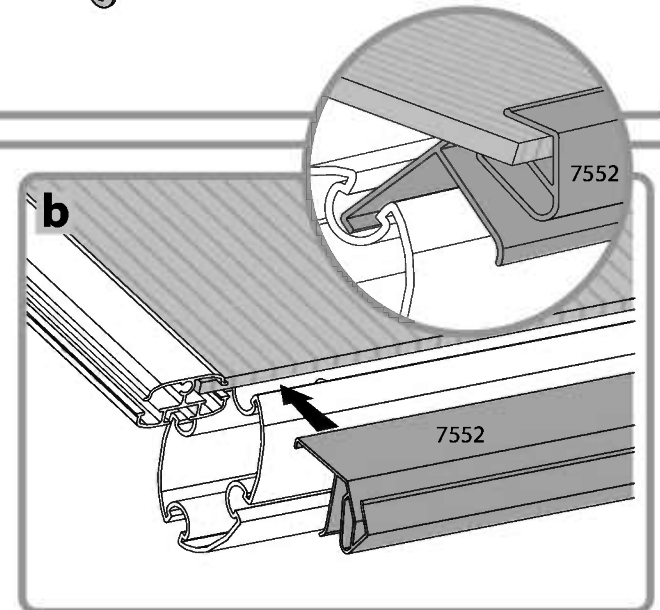
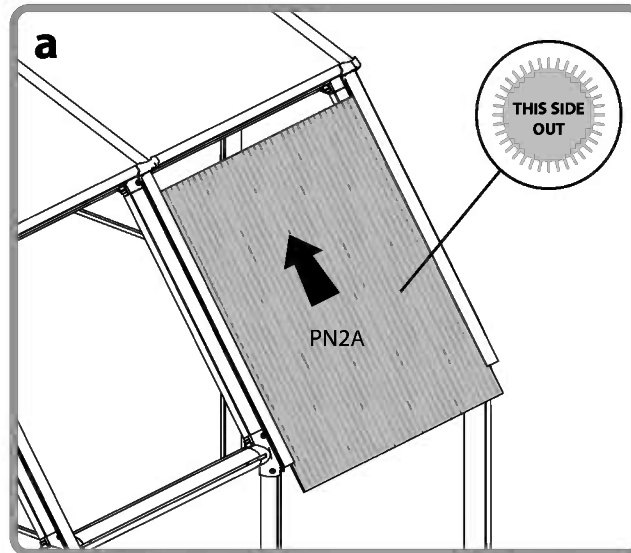
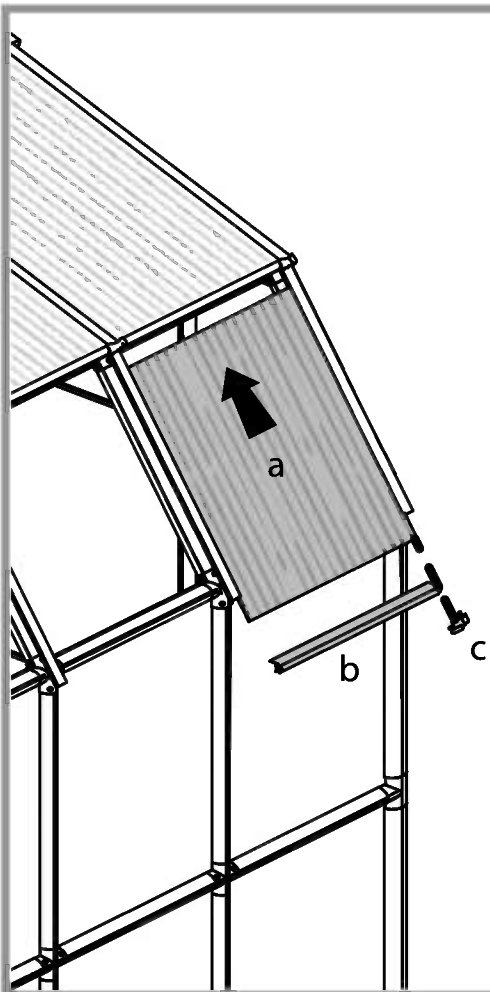
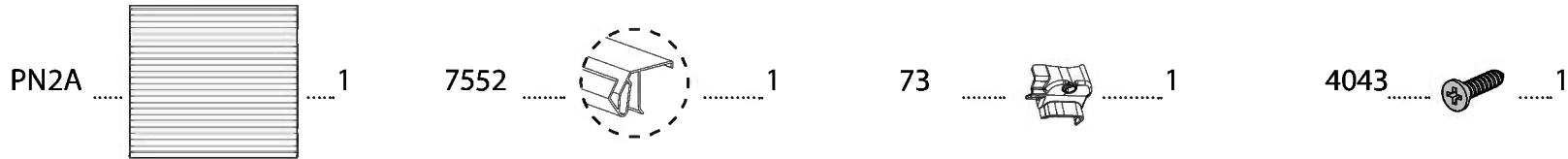
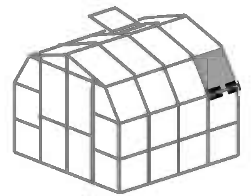
4043 ..... 2



53

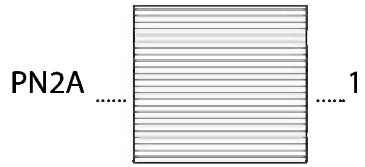
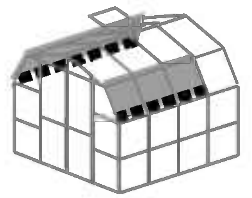


Make sure the connector is tight - Drawing C.





Fully assemble one side, then begin the other side.



PN2A ..... 1      7552 ..... 7



72 ..... 2



73 ..... 1



74 ..... 6



4043 ..... 9



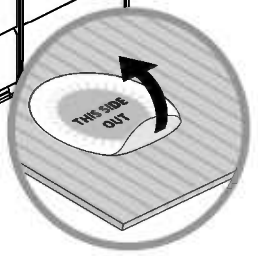
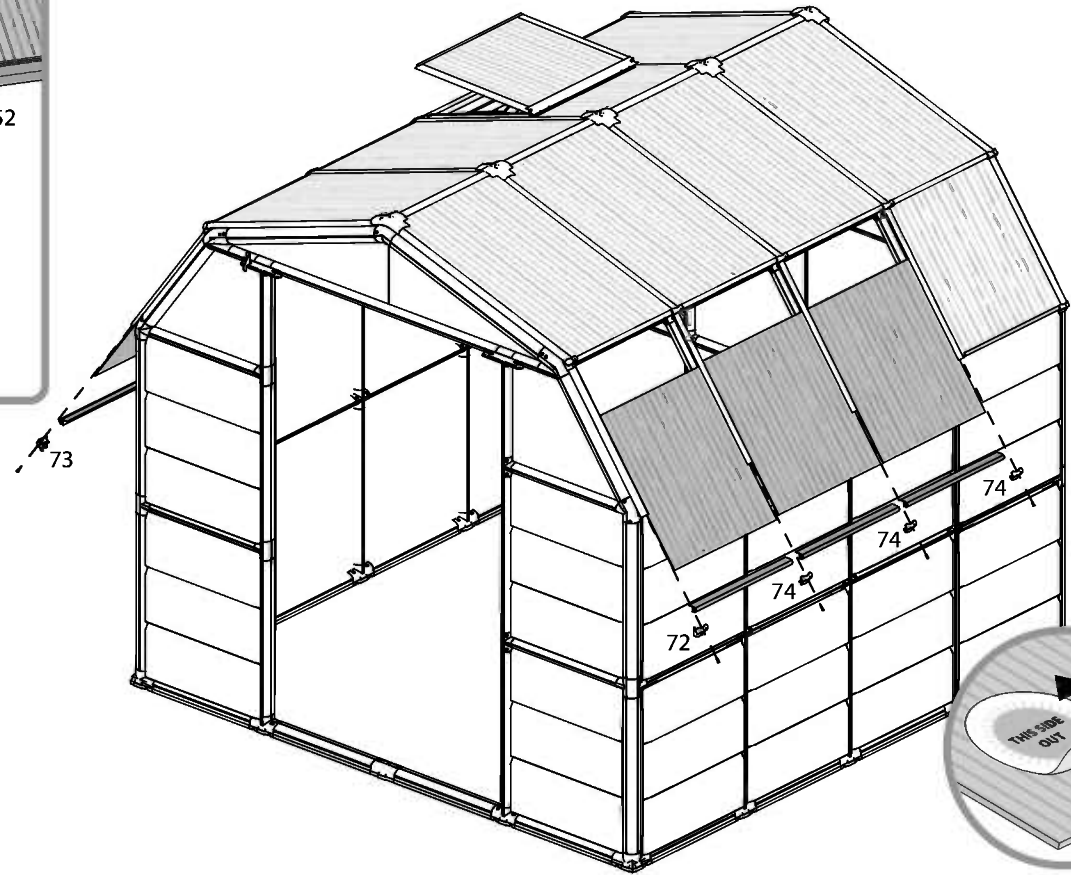
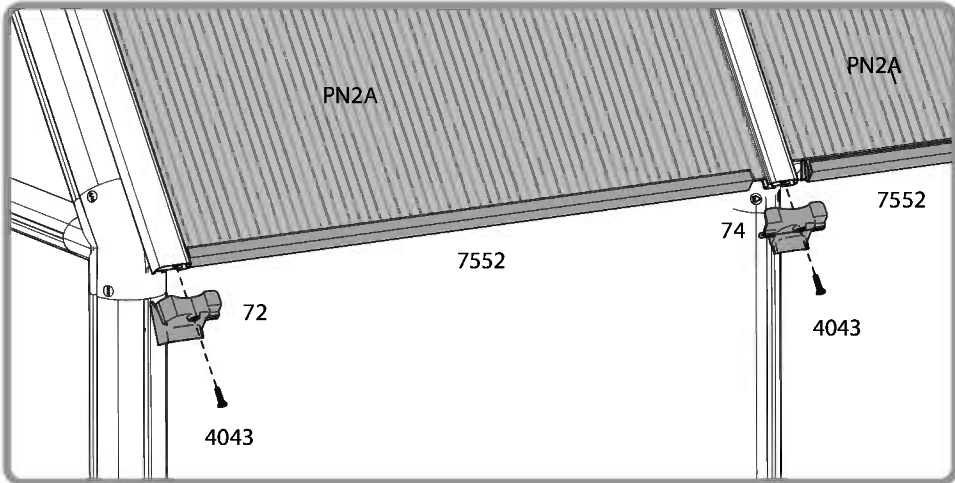
Extension Kit

PN2A ..... 2

74 ..... 2

7552 ..... 2

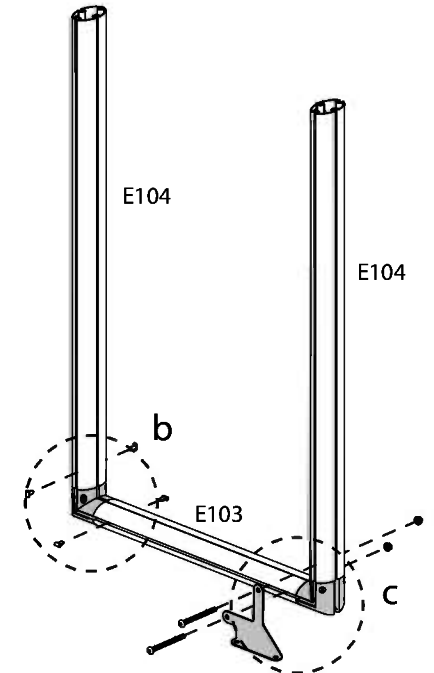
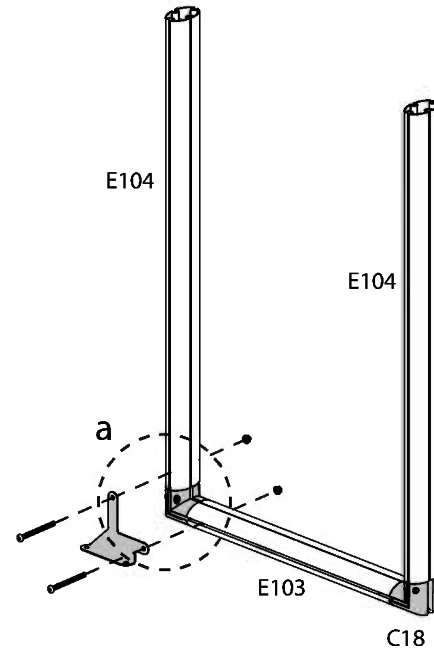
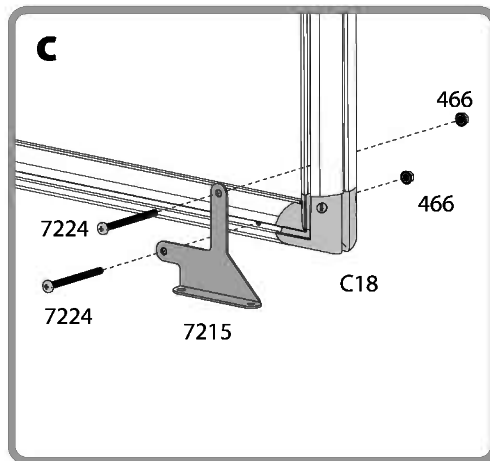
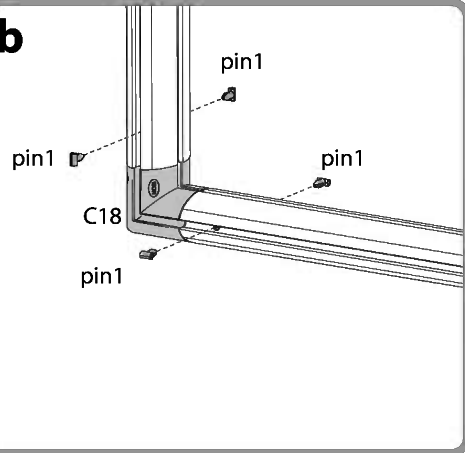
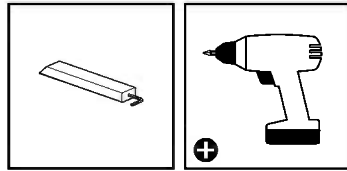
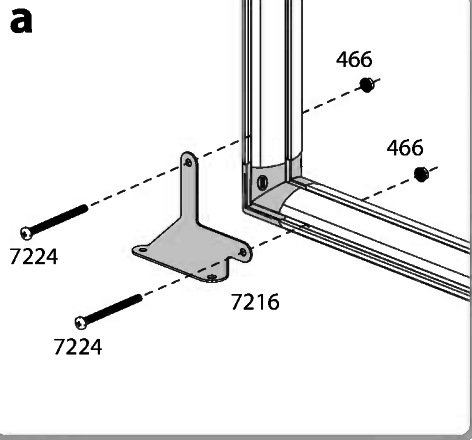
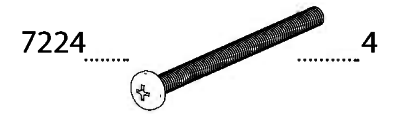
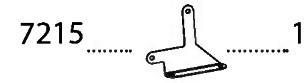
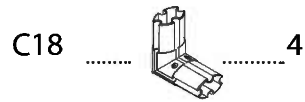
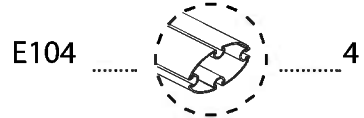
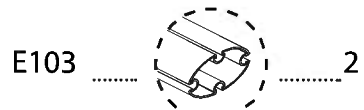
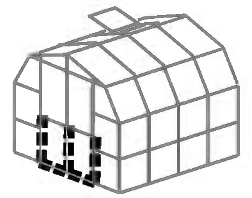
4043 ..... 2

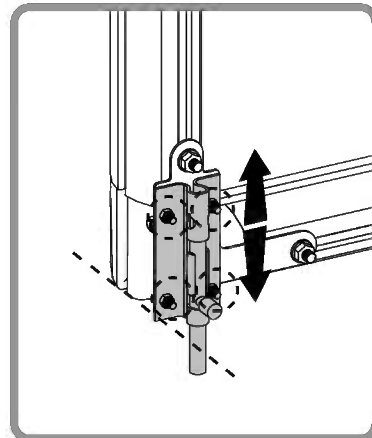
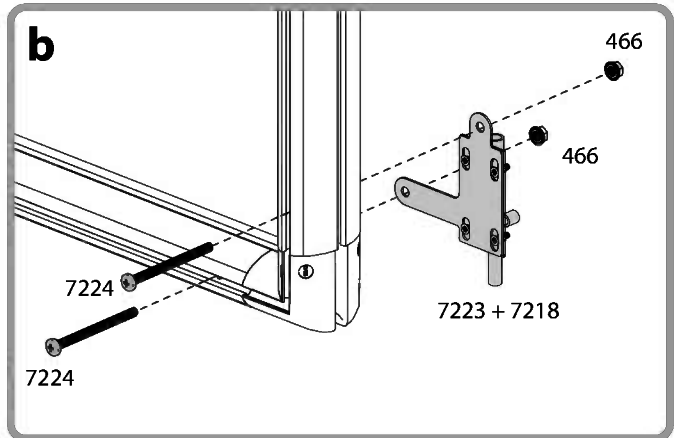
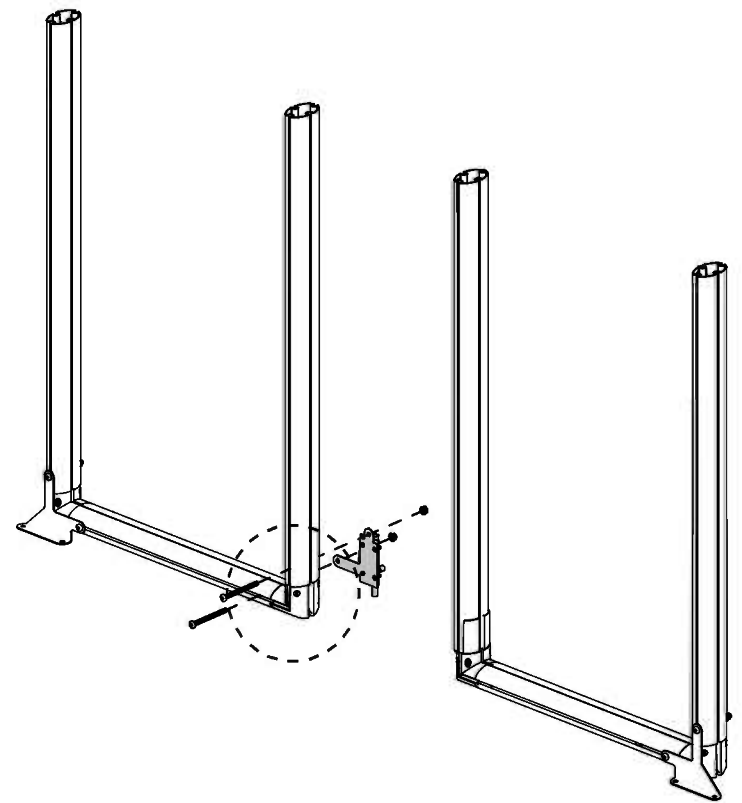
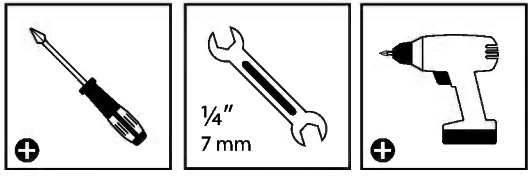
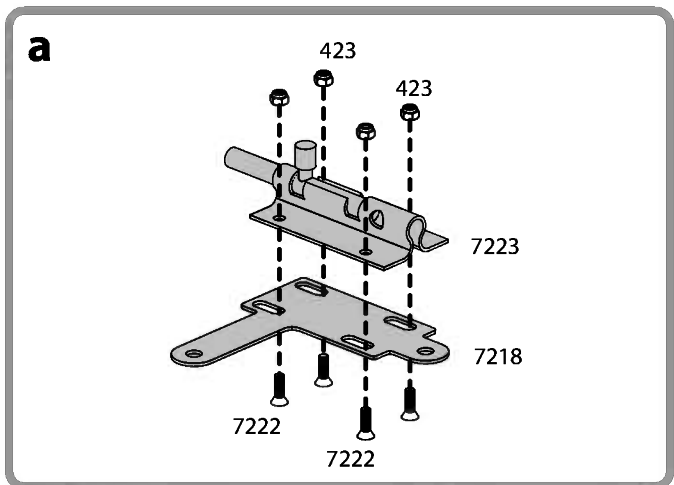
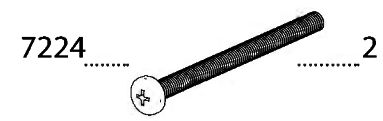
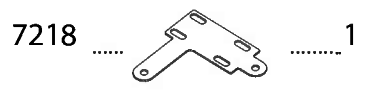
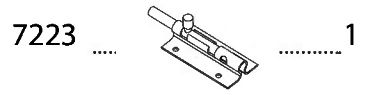
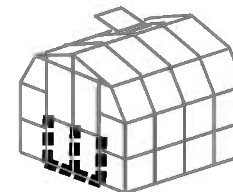


55



Do not connect the corner that is not marked in the illustration!

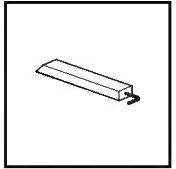
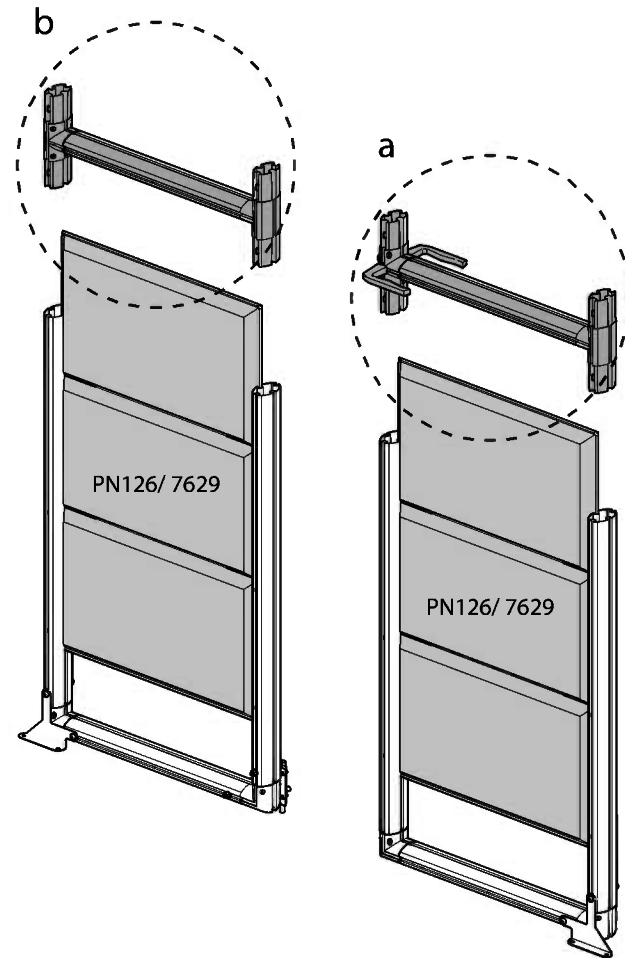
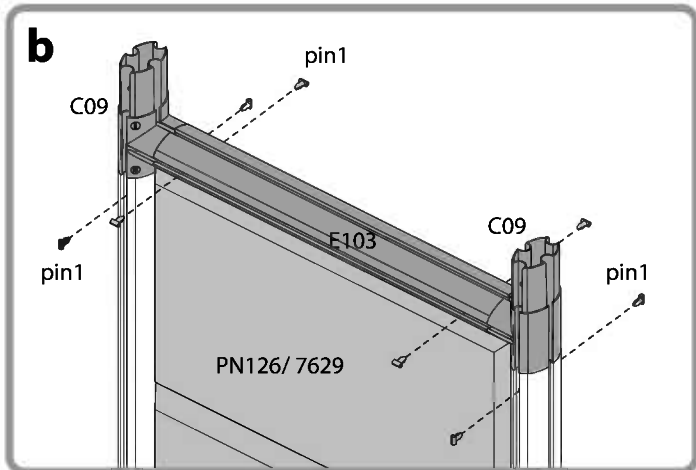
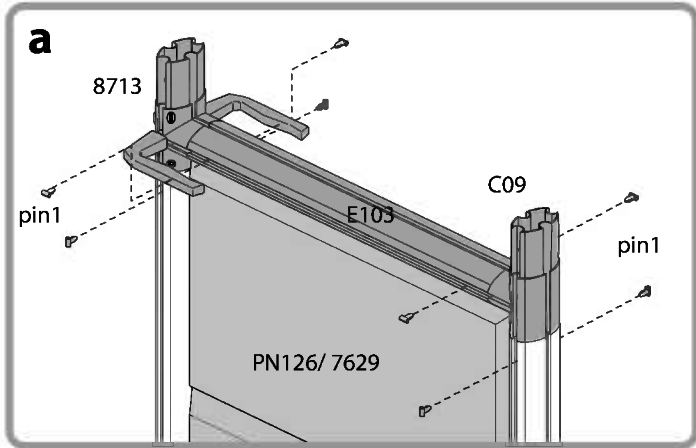
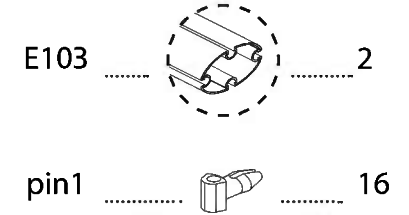
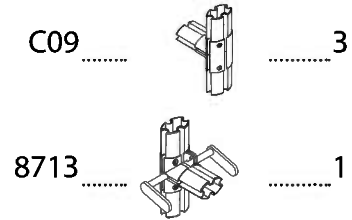
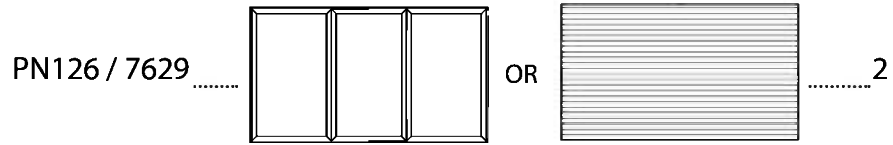
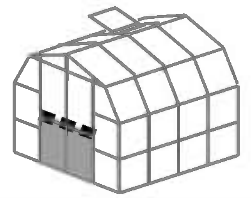




57



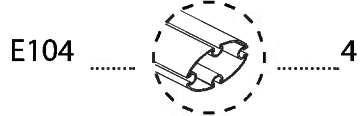
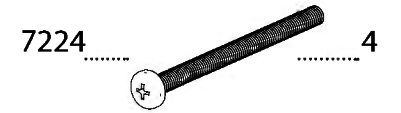
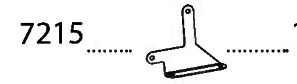
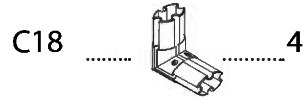
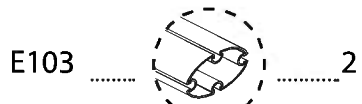
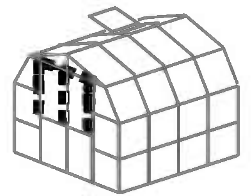
The door opening can be reversed by mounting the handle on the opposite door.



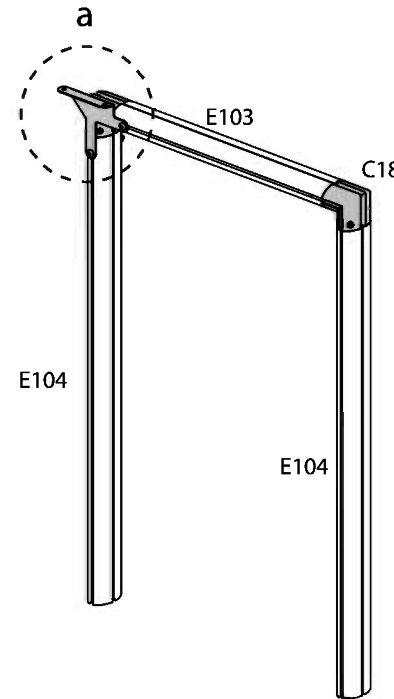
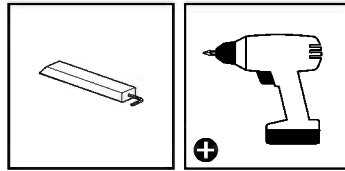
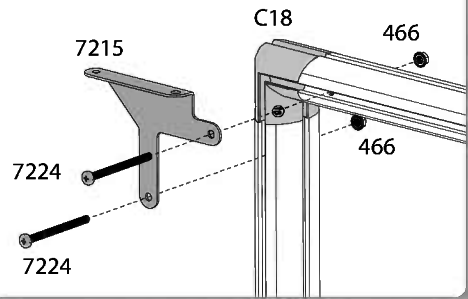
58



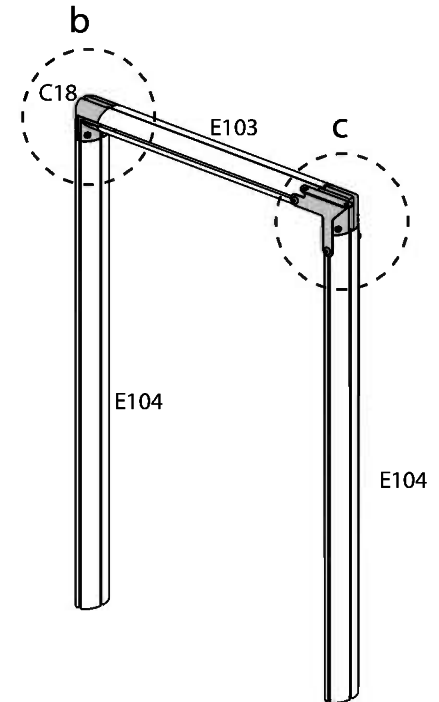
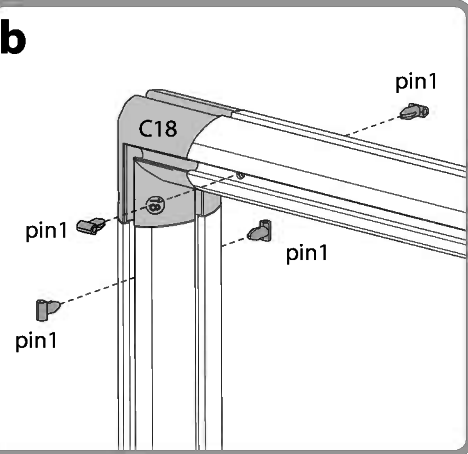
Do not connect the corner that is not marked in the illustration!



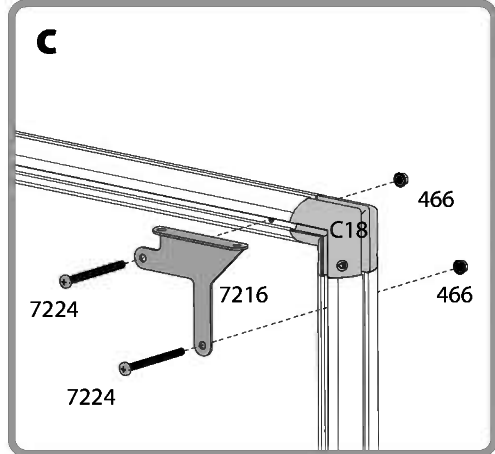
**a**



**b**

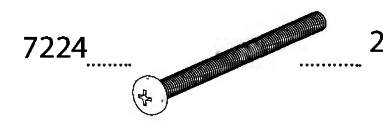
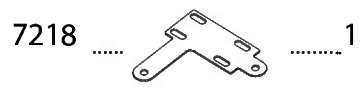
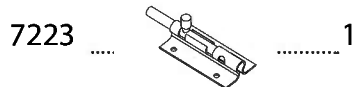


**c**

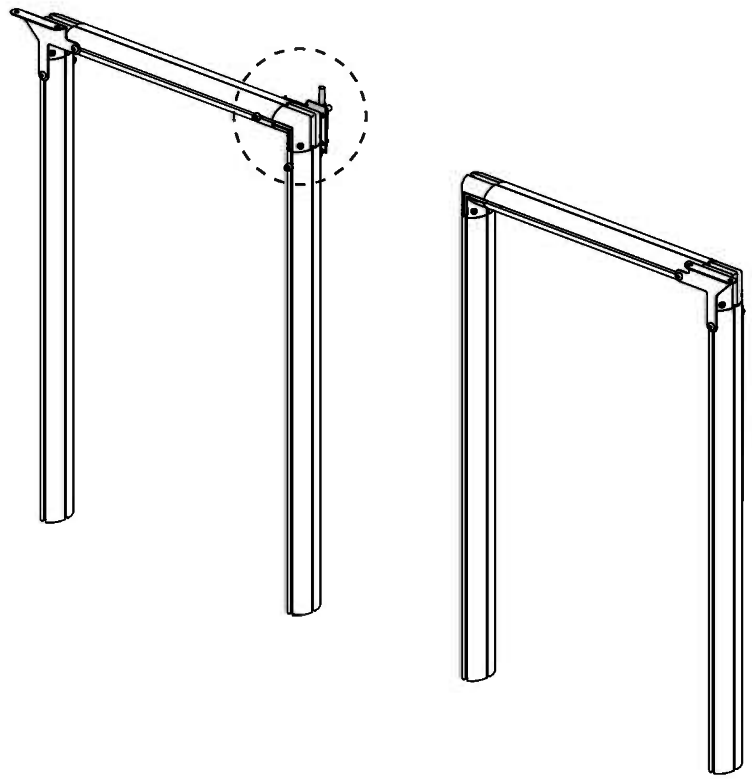
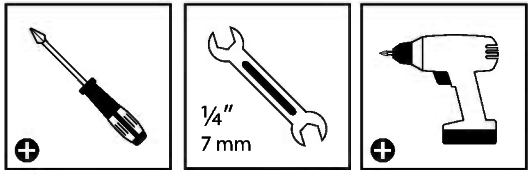
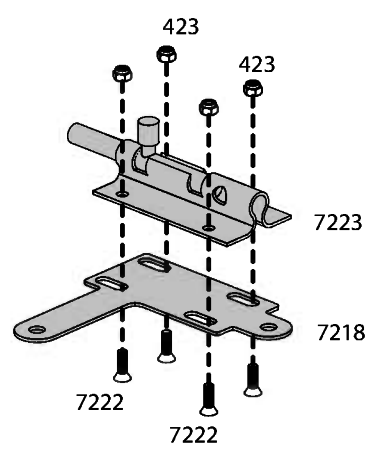


E104

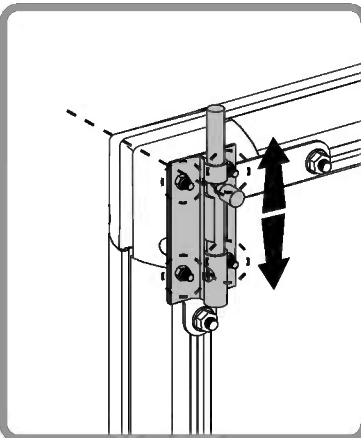
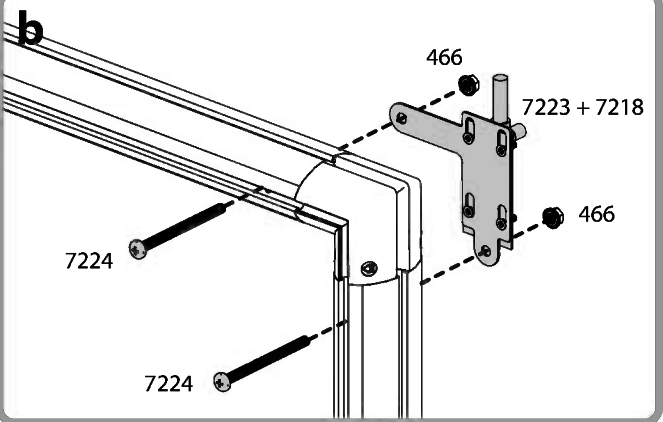


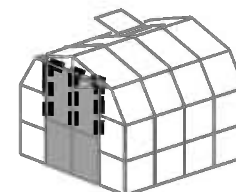


**a**

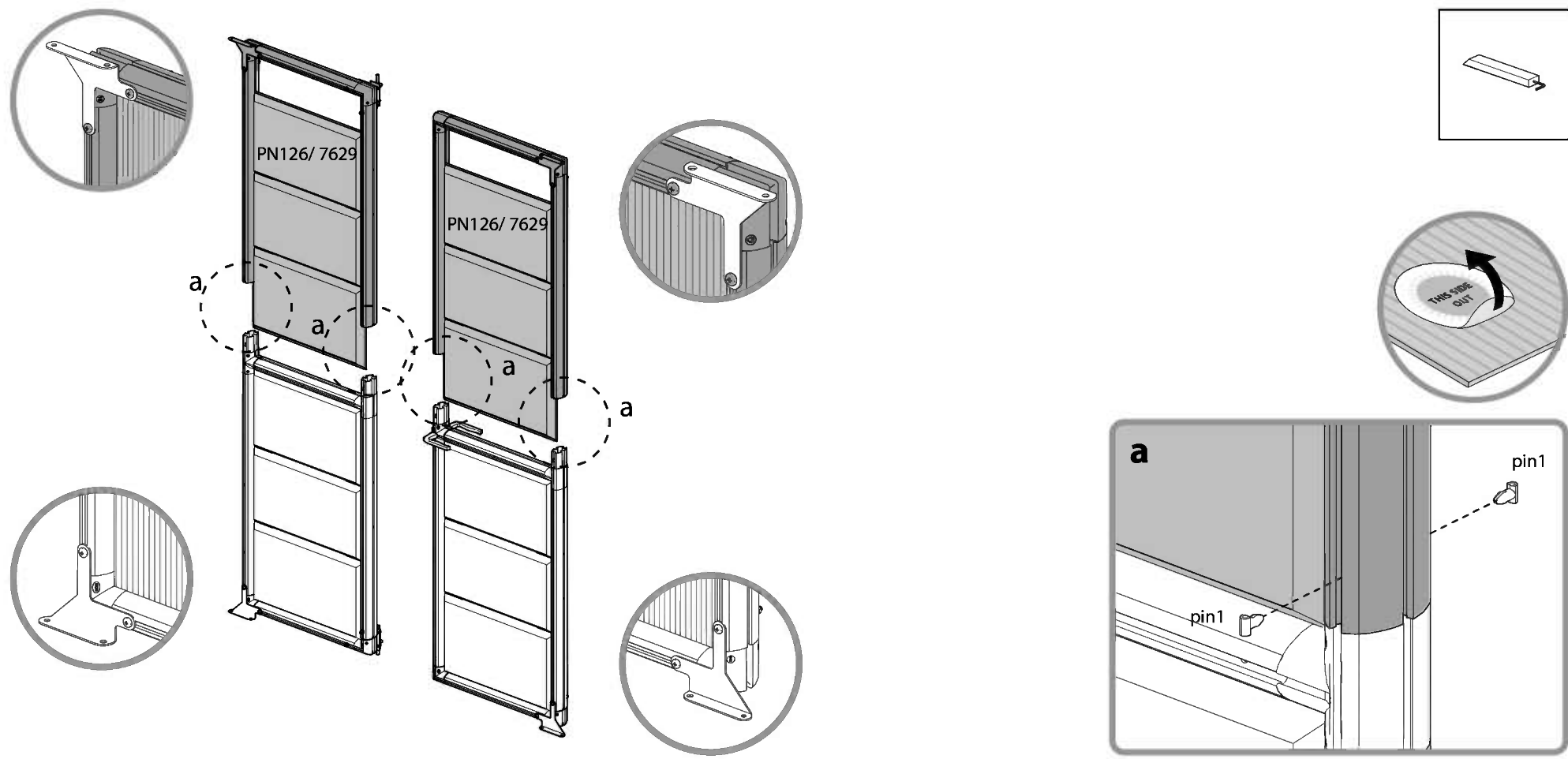


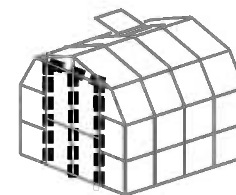
**b**



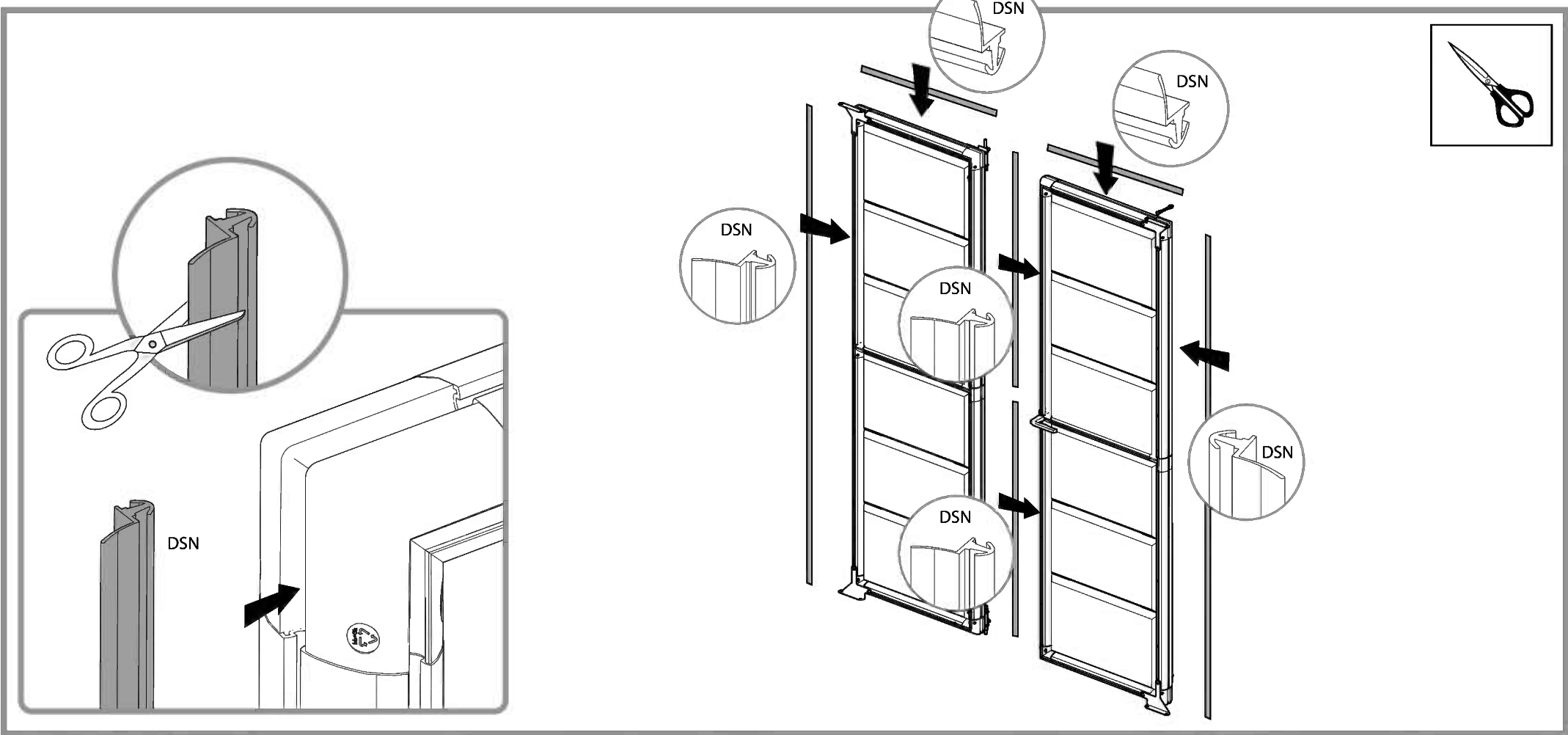


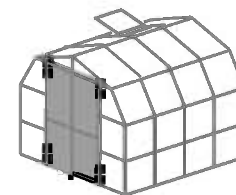
PN126 / 7629 .....  OR  ..... 2      pin1 .....  ..... 16





DSN .....   ..... 1





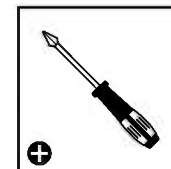
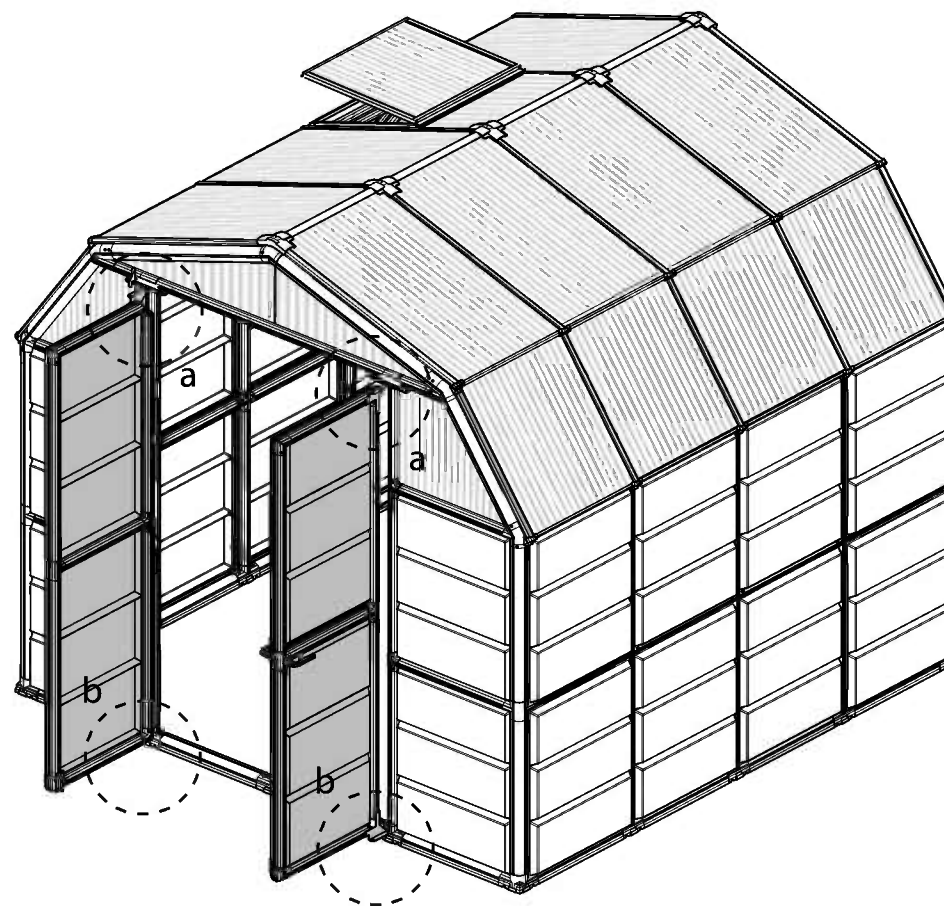
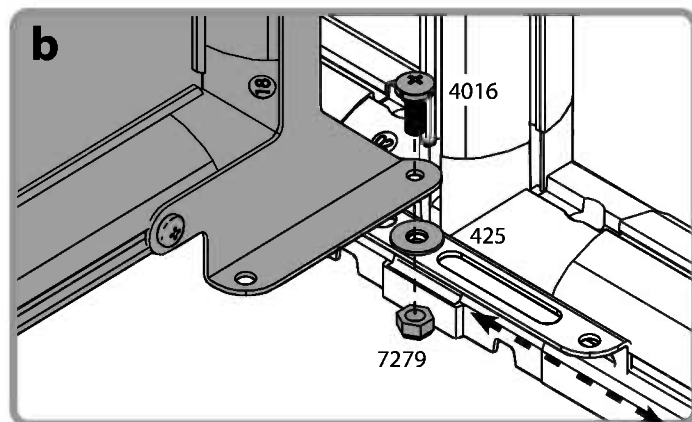
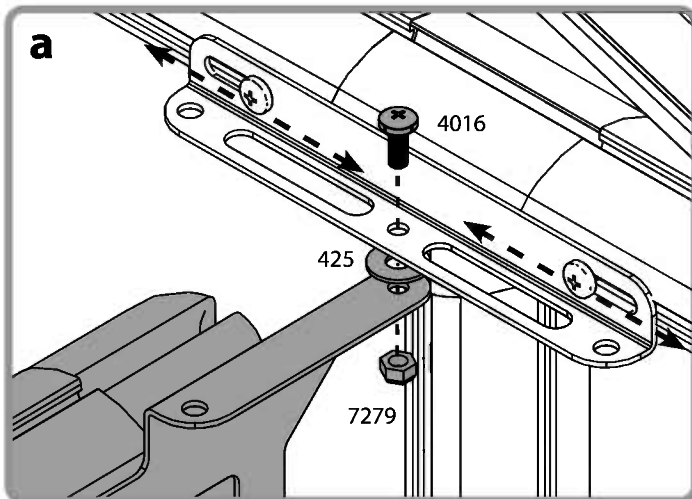
4016 ..... 4

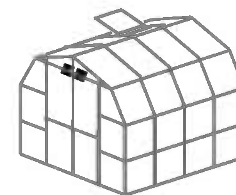


7279 ..... 4

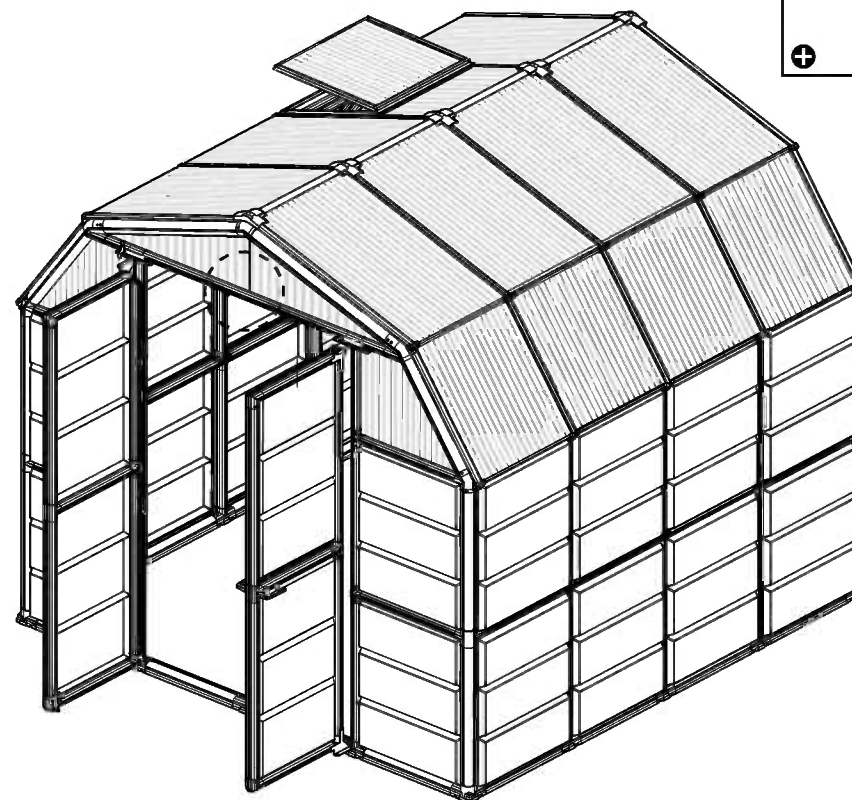
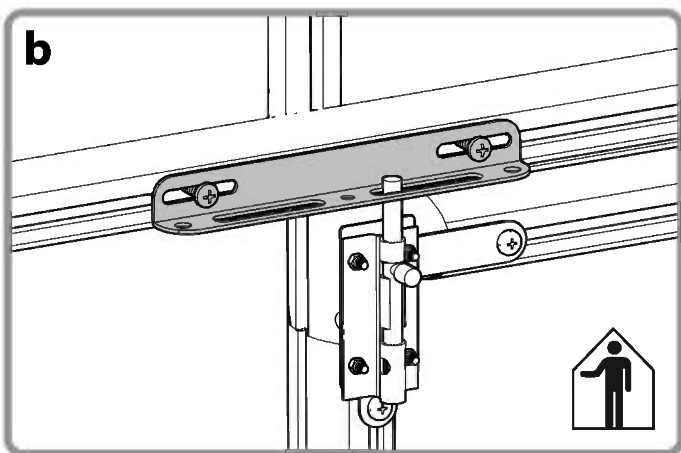
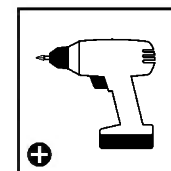
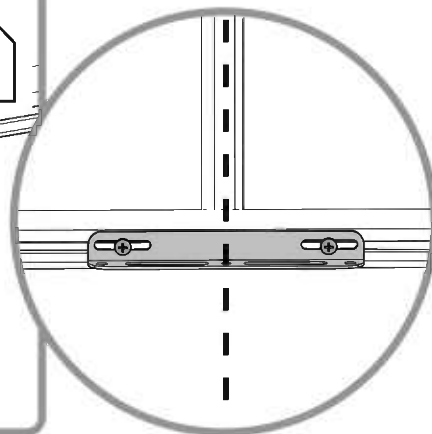
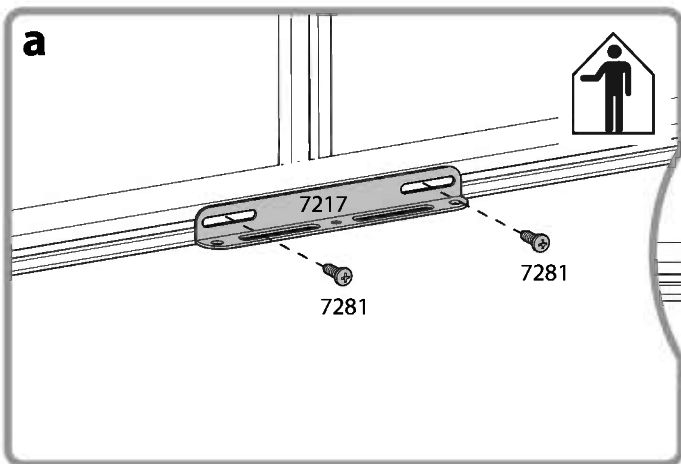


425 ..... 4





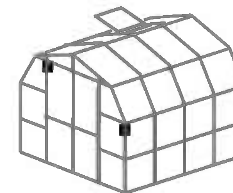
7217 ..... 1      7281 ..... 2



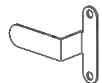
64



Part 7273 should be assembled on the side to which the door opens with the handle.



7273.....

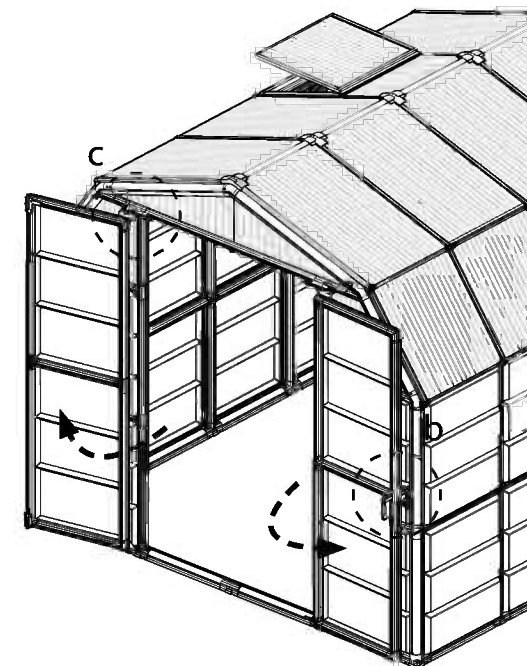
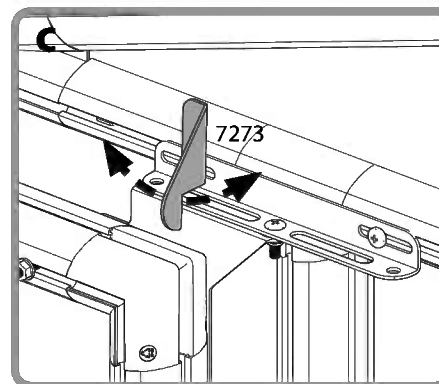
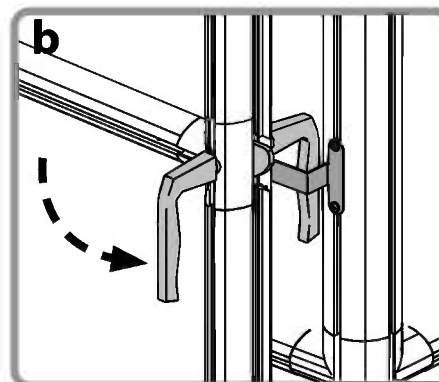
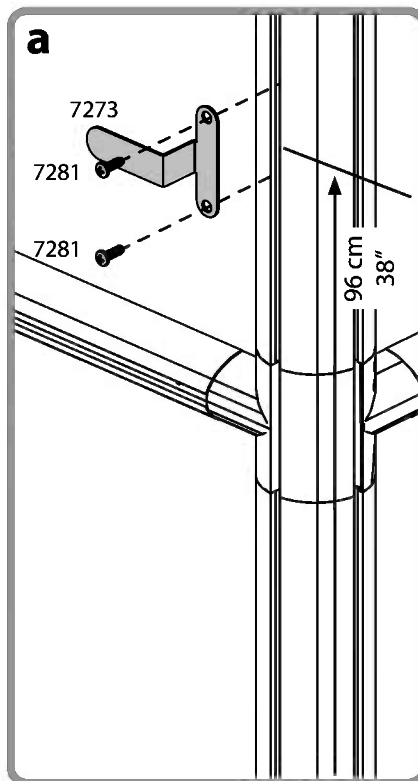
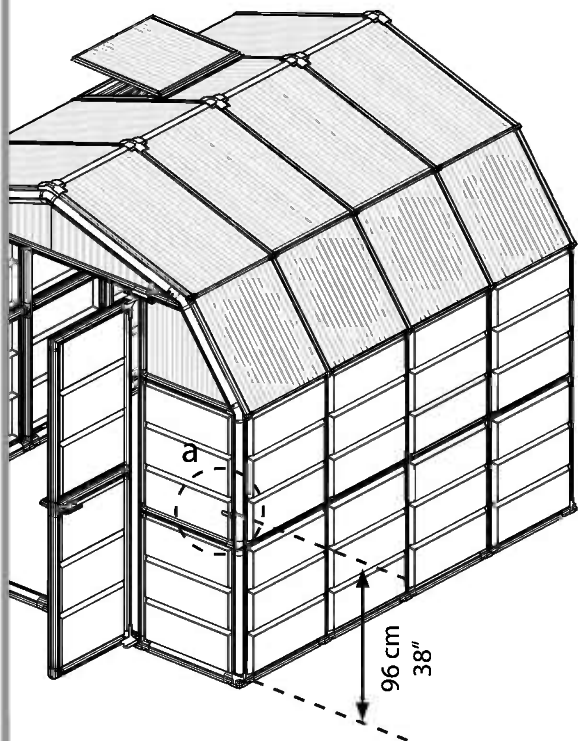


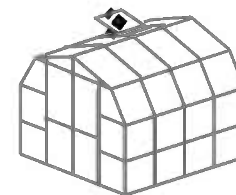
.....1

7281.....

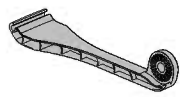


.....2





8797 ..... 1



8801 ..... 1



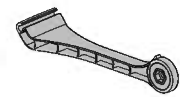
8800 ..... 1



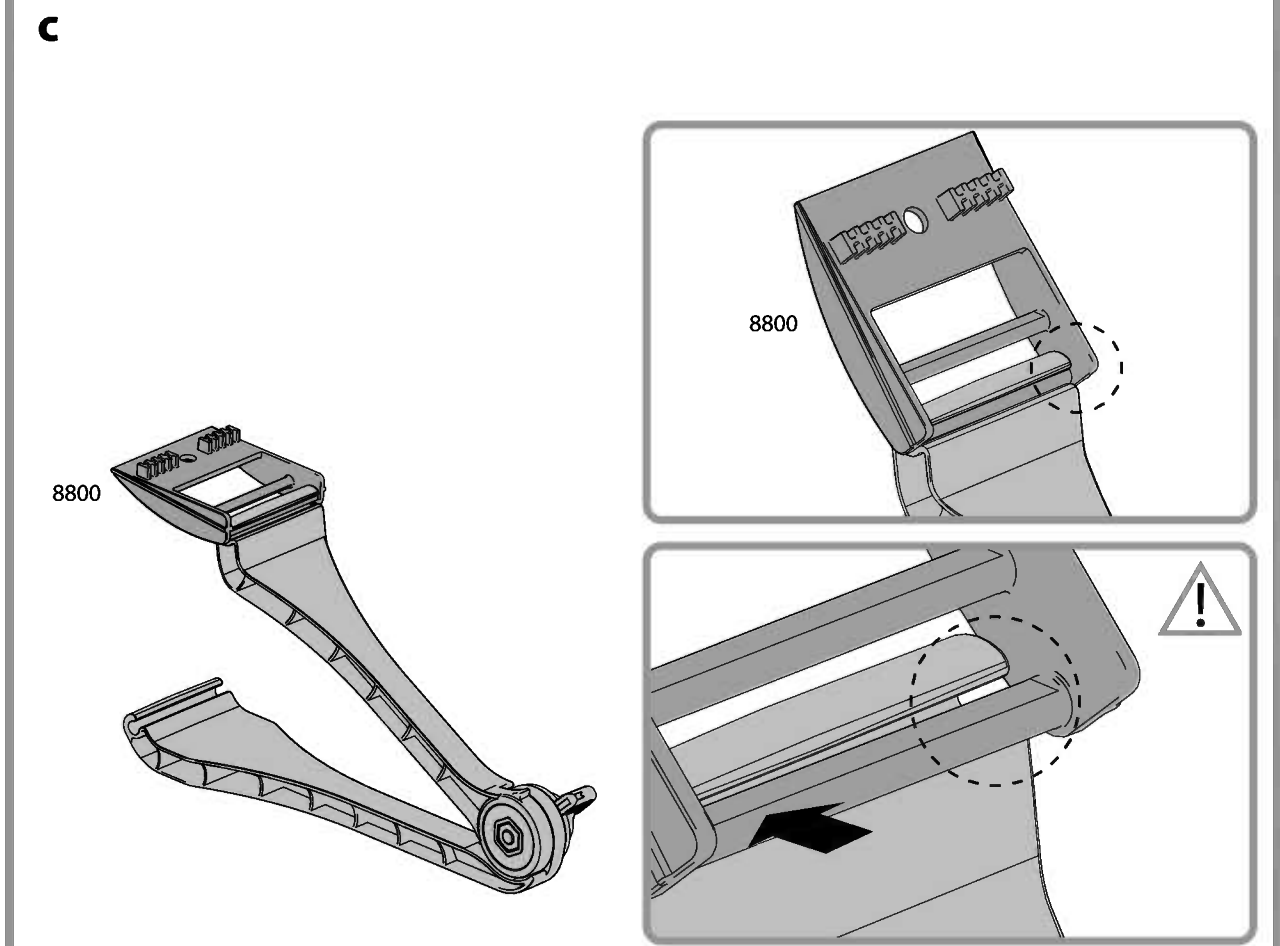
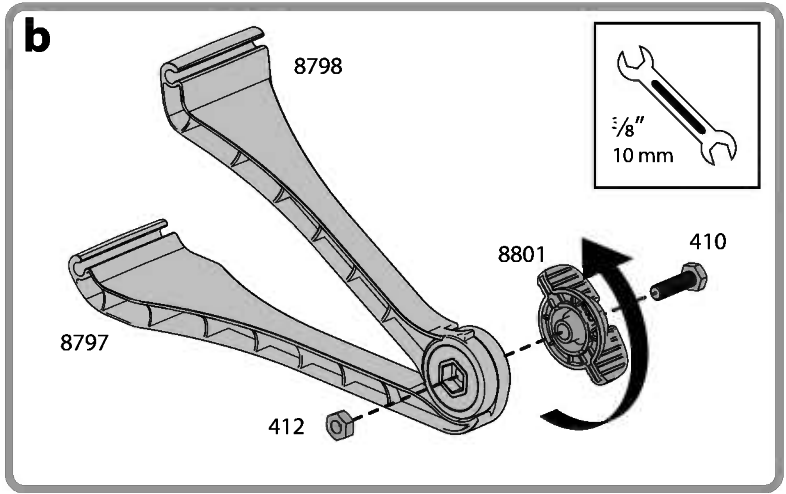
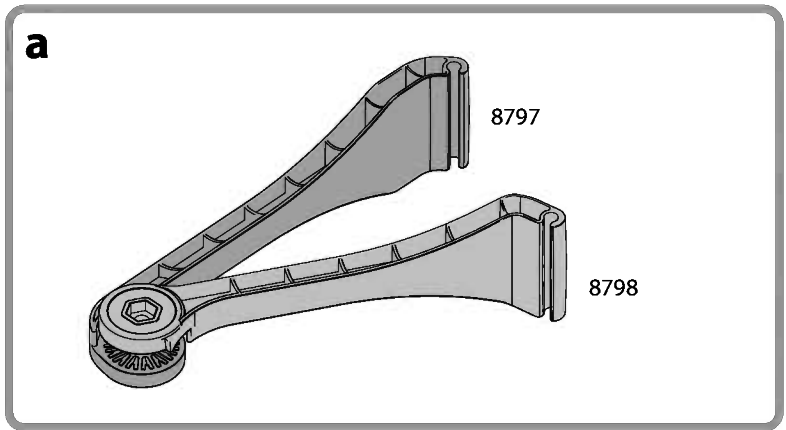
410 ..... 1

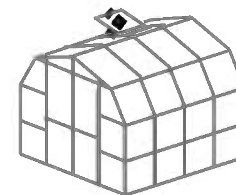


8798 ..... 1

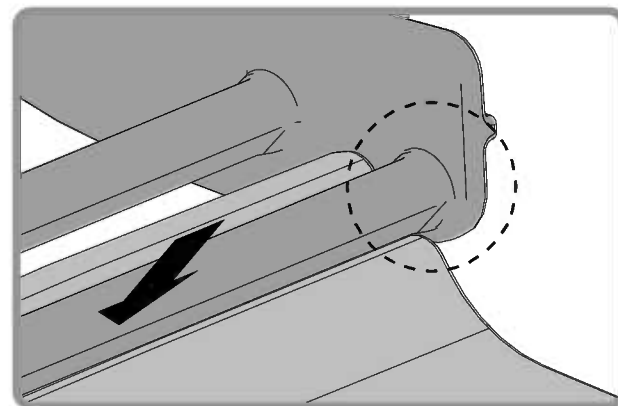
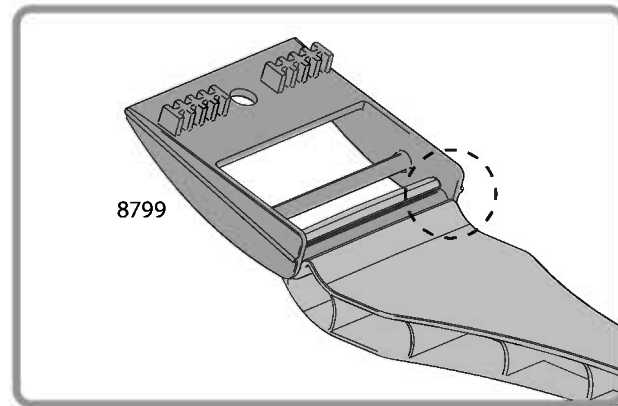
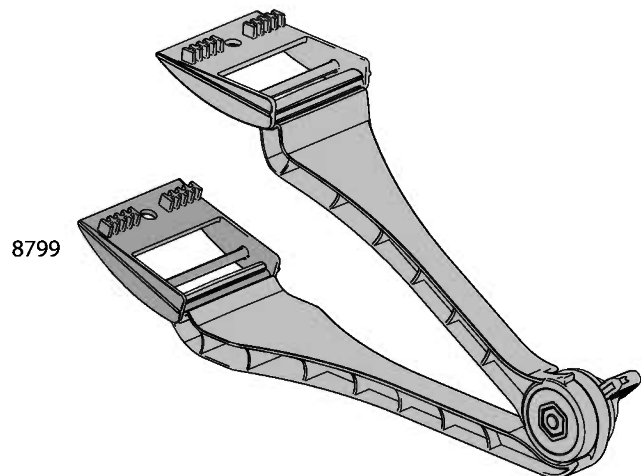


412 ..... 1

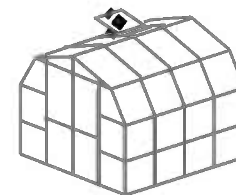




8799 ..... 1







67



If the window doesn't close properly, please release the screws, adjust the profile and re-tighten the screws.

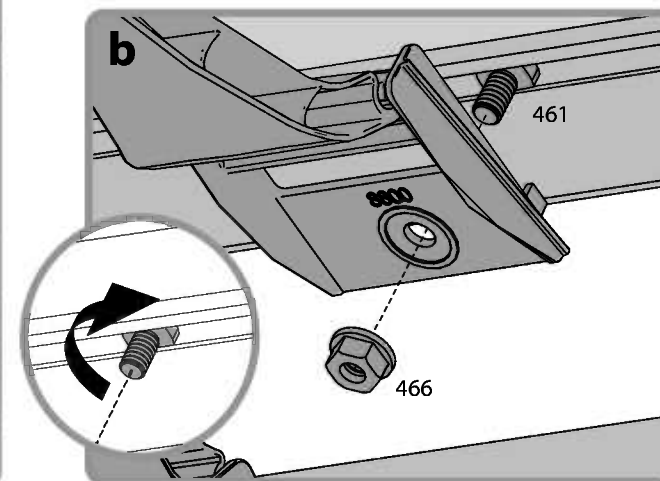
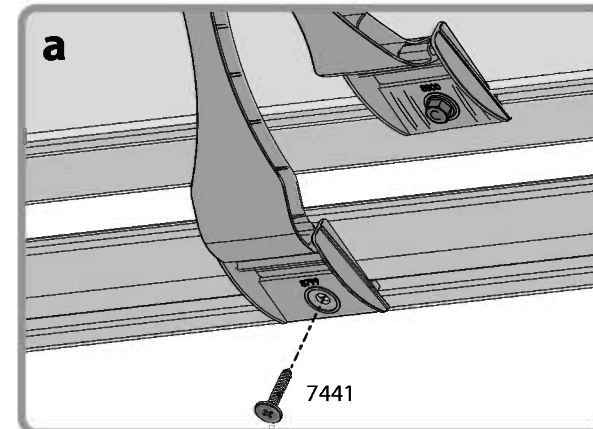
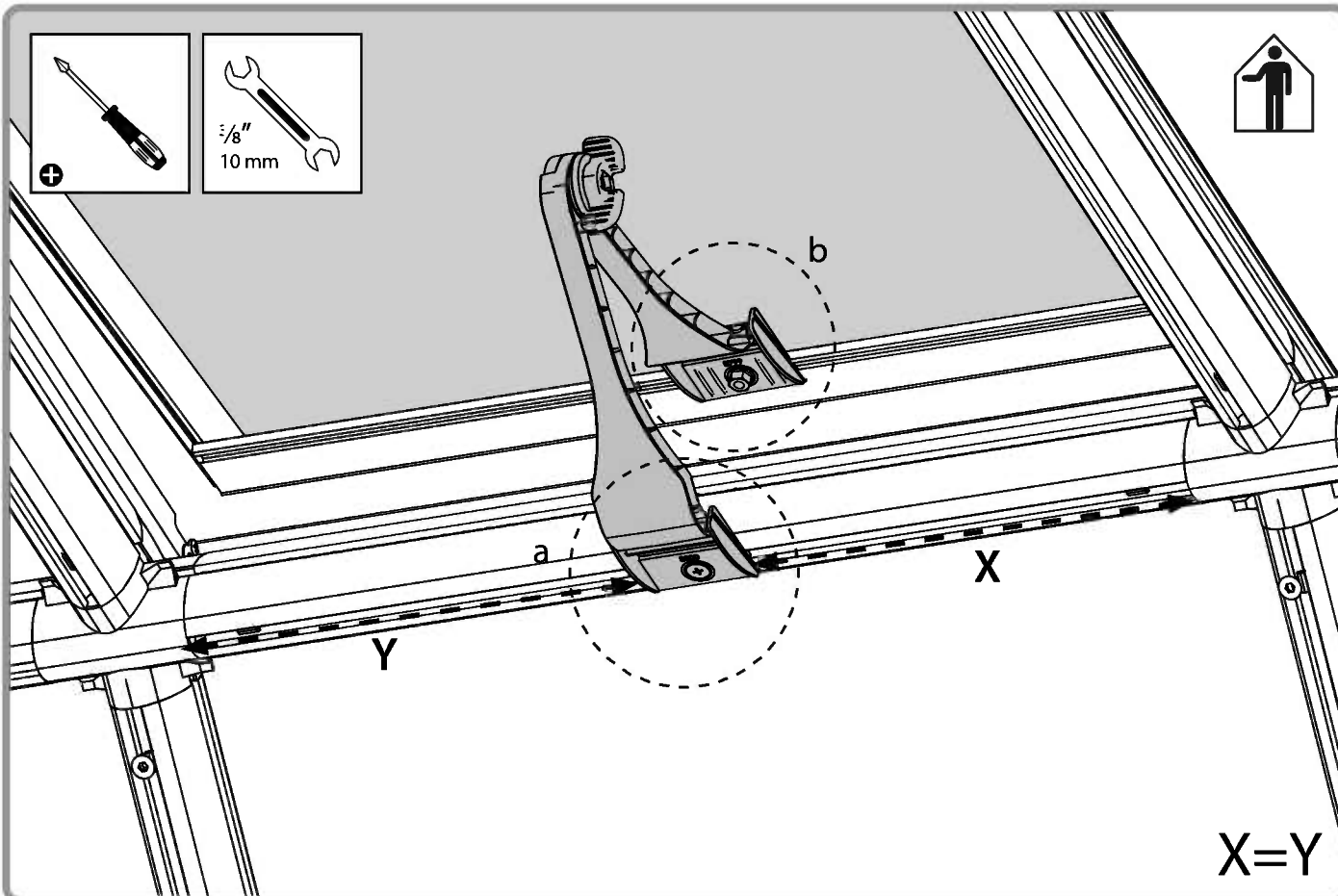
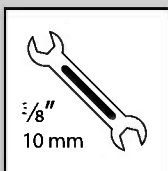
7441 ..... 1

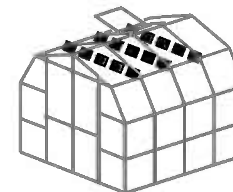


461 ..... 1



466 ..... 1

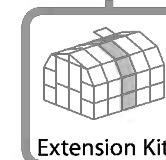




CAB40 ..... 3

HOOK1 ..... 3

AS70 ..... 6

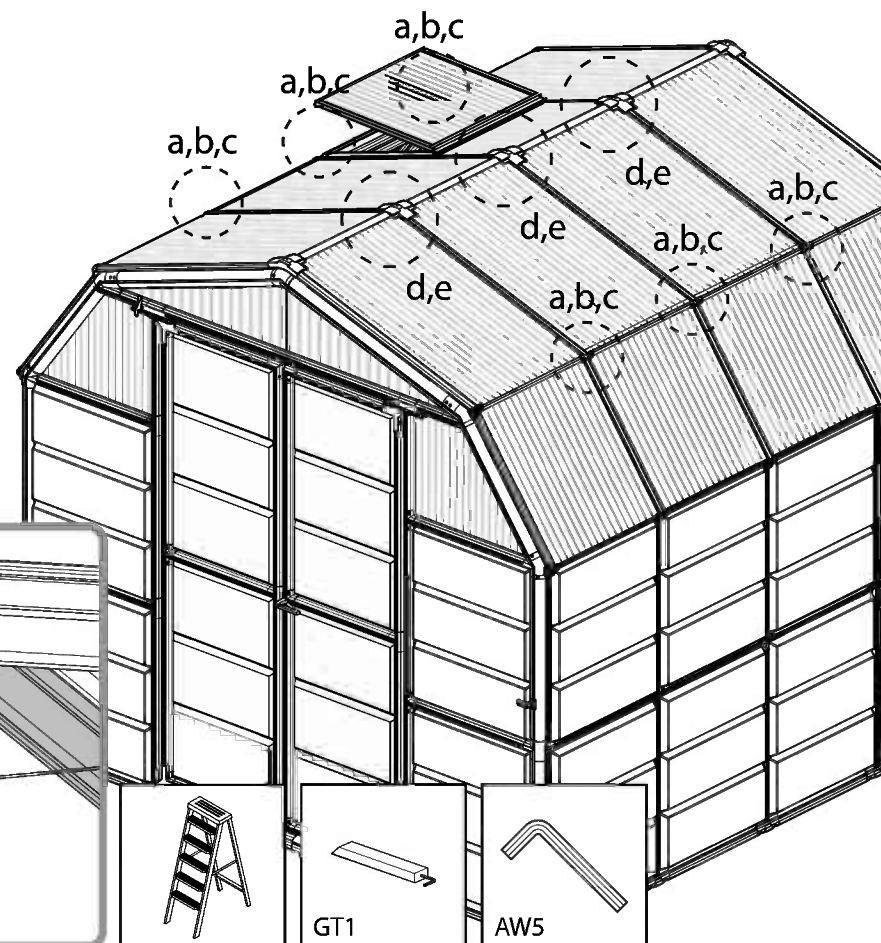
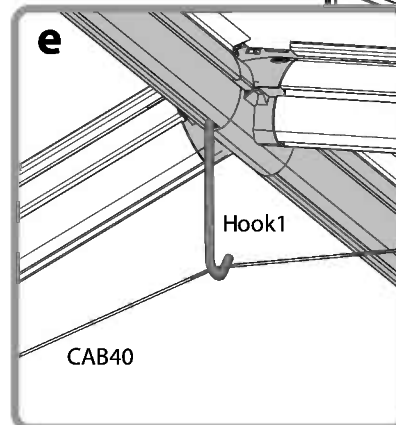
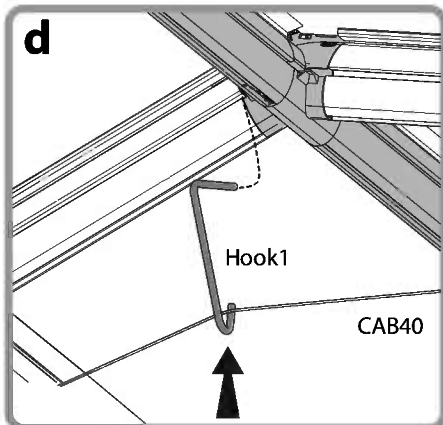
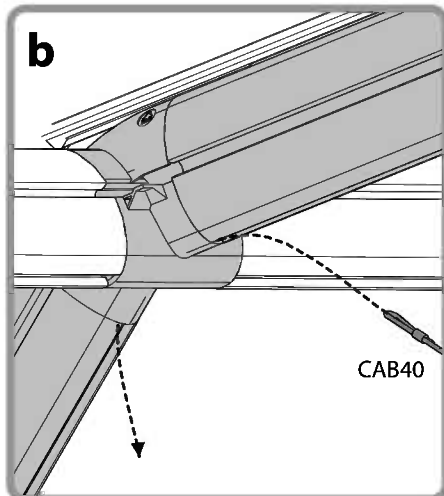
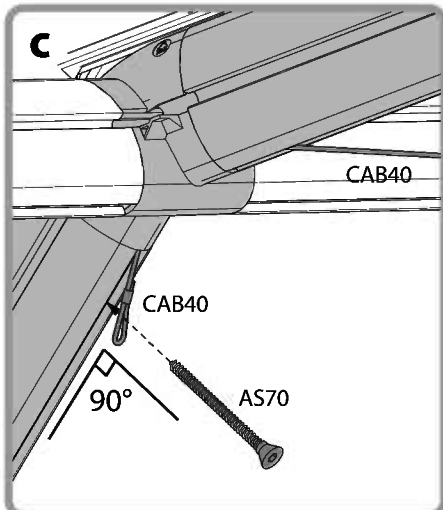
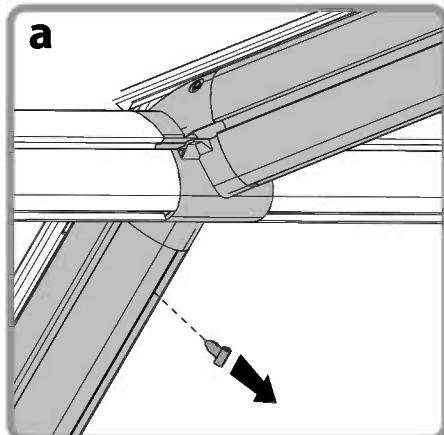


Extension Kit

CAB40 ..... 2

HOOK1 ..... 2

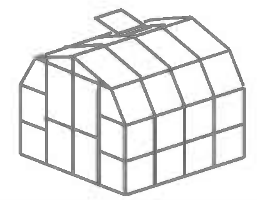
AS70 ..... 4



69



This step refers only to Grand Gardener/Prestige - Clear.



SR



8



Extension Kit

SR

2

