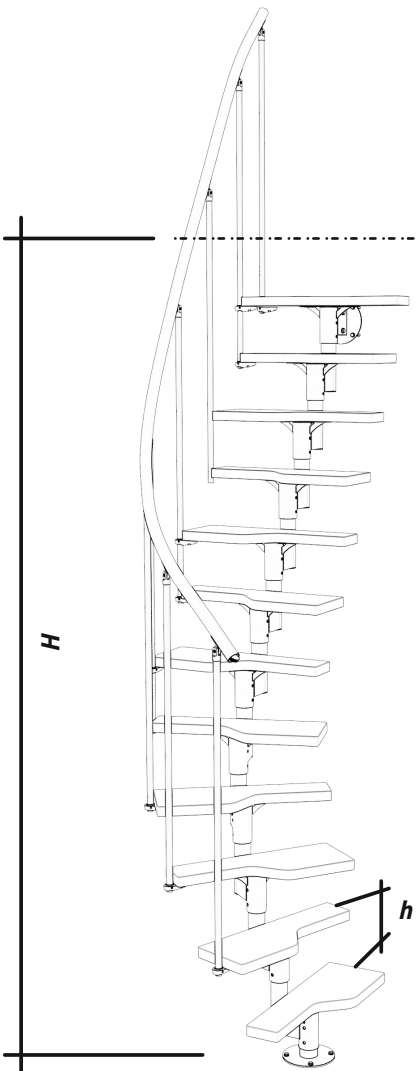
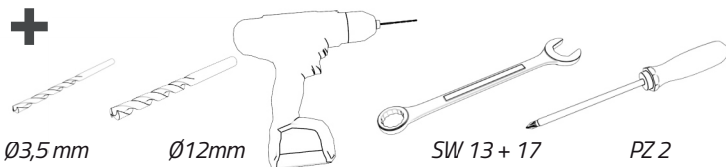


Vienna

1

V1		11x	V2		1x	V3		1x	V4		1x	V5		11x	V6		11x						
V7		12x	V8		10x	V9		20x	V10		4x	V11		8x	V12		20x	V13		24x			
V14		2x	V15		72x	V16		60x	V17		10x	V18		20x	V19		10x	V20		10x	V21		20x
V22		8x	V23		2x	V24		8x	V25		1x	V26		2x	V27		10x	V28		10x	V1-B28 OK? ↓ START		



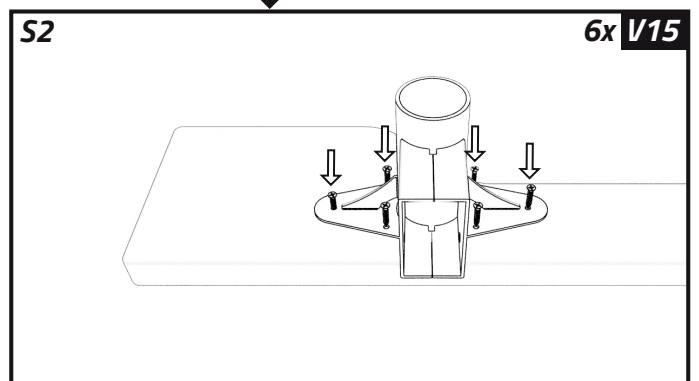
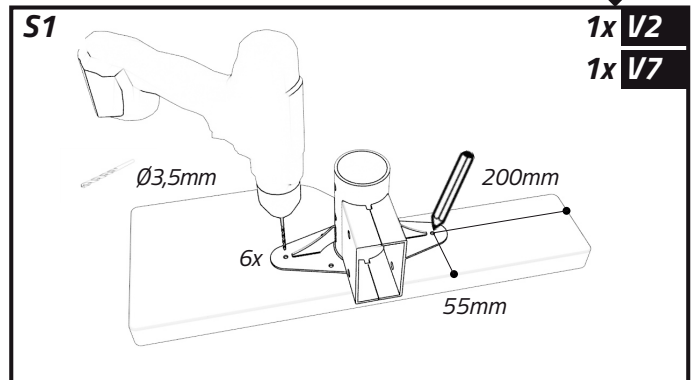
H:h

$$h_{\max} = 226\text{mm}$$

$$h_{\min} = 172\text{mm}$$

$$H_{\max} = 2938\text{mm} (13 \times h_{\max})$$

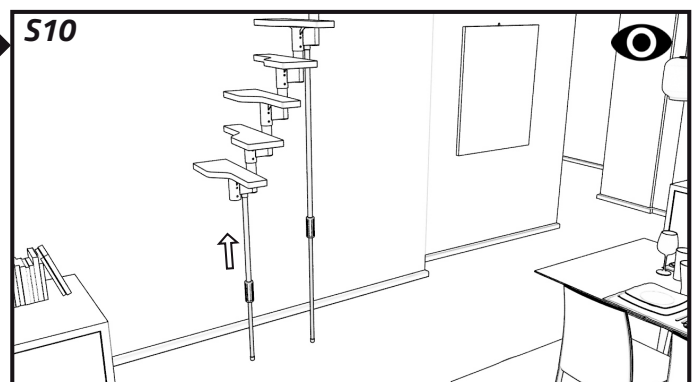
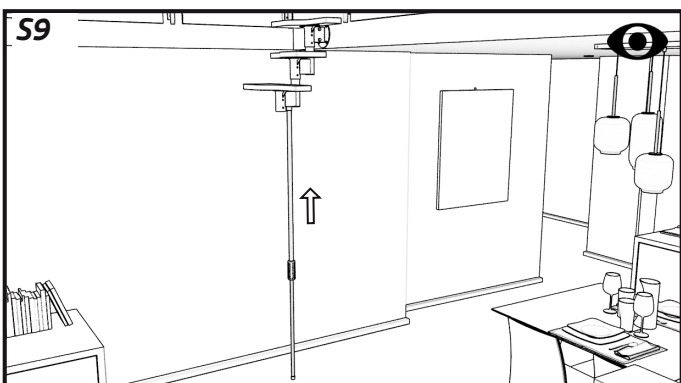
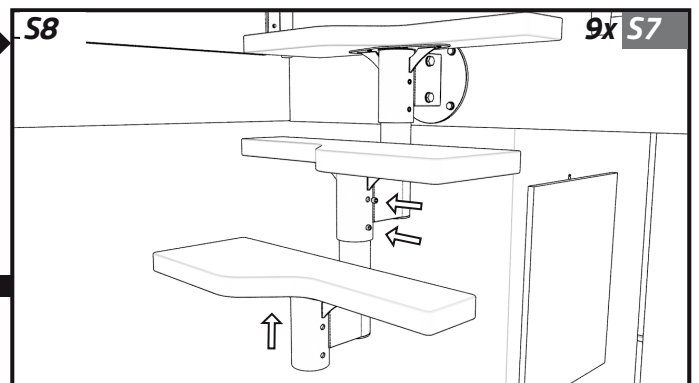
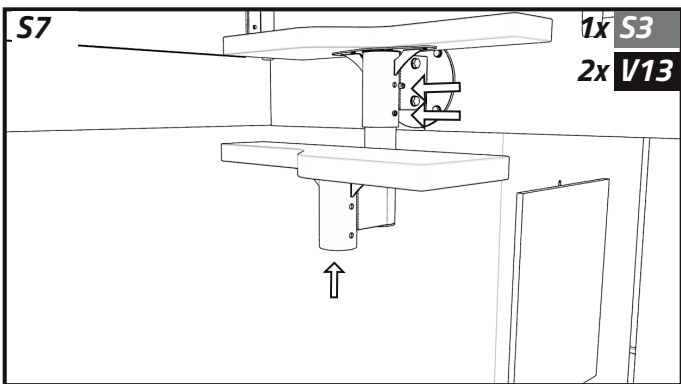
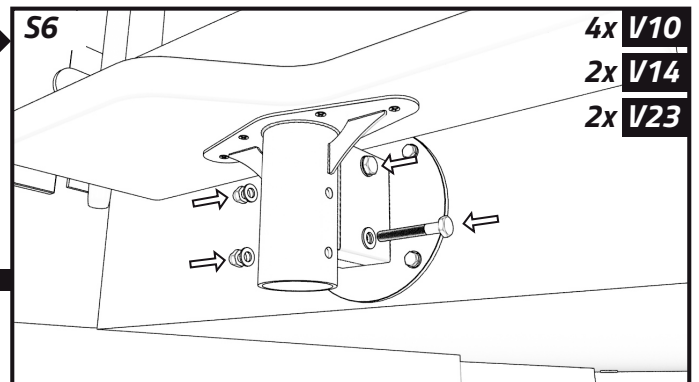
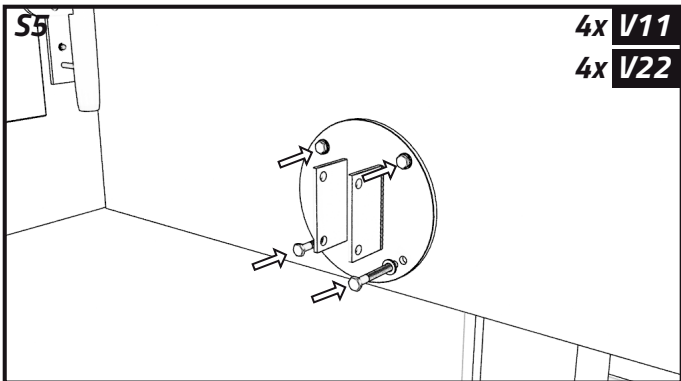
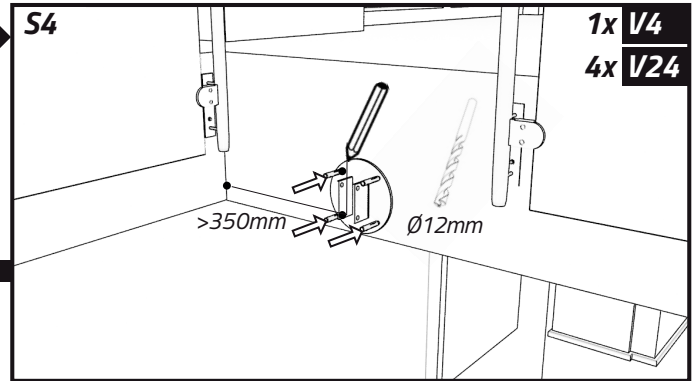
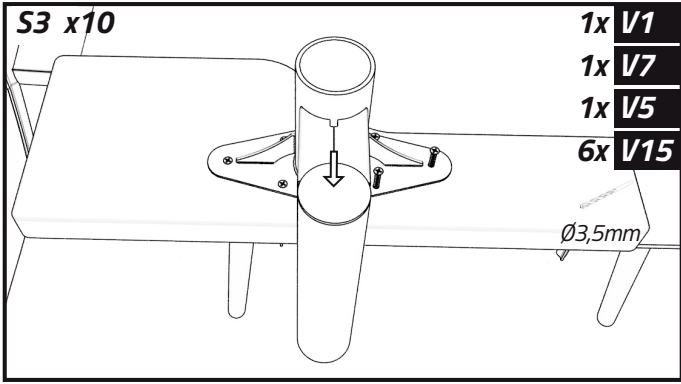
$$H_{\min} = 2236\text{mm} (13 \times h_{\min})$$



4

Vienna

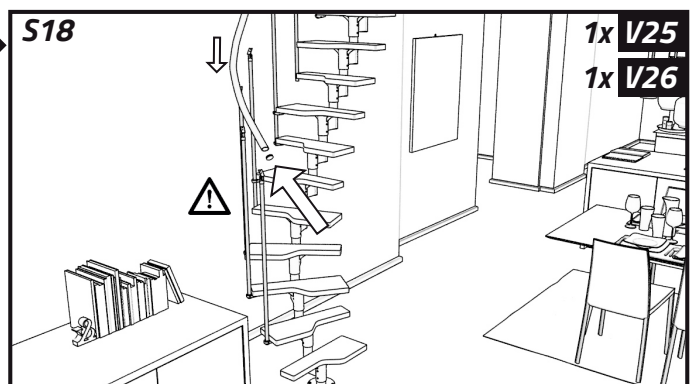
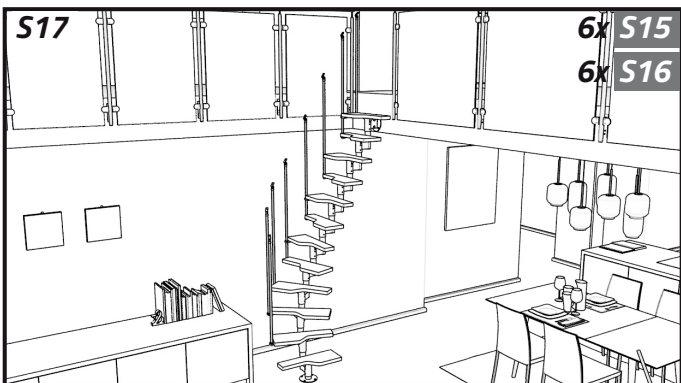
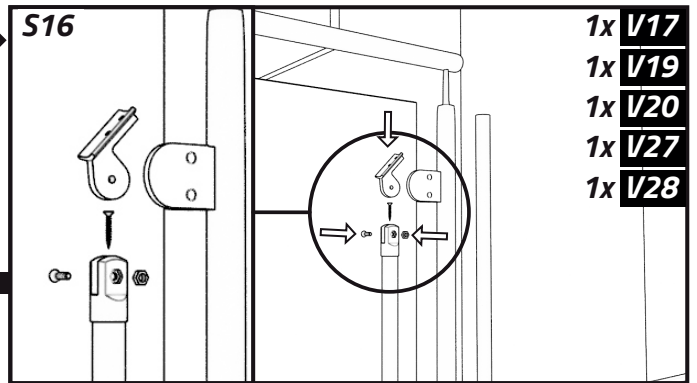
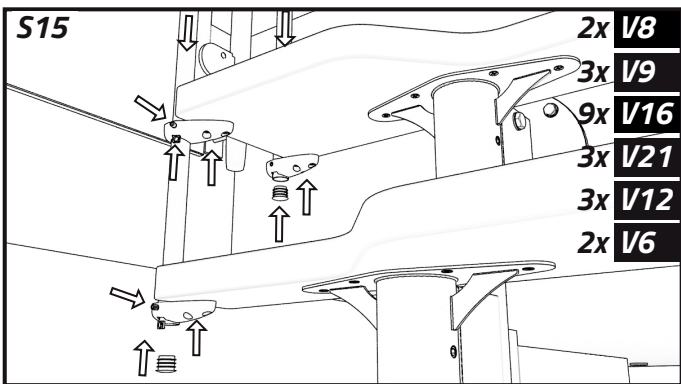
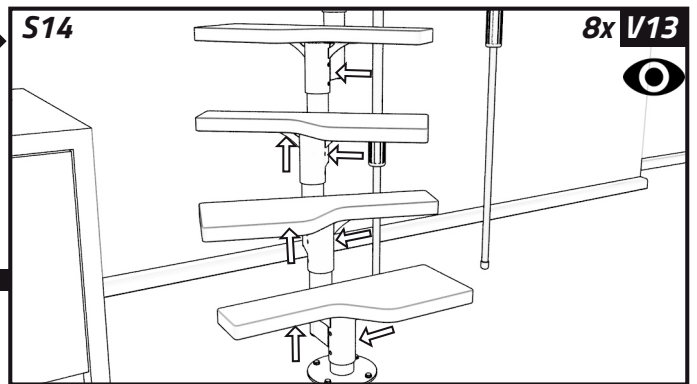
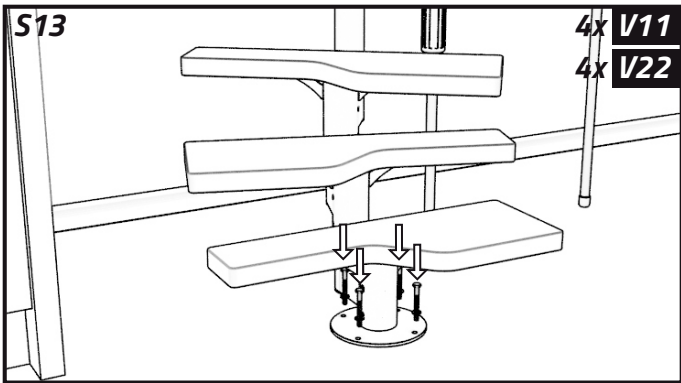
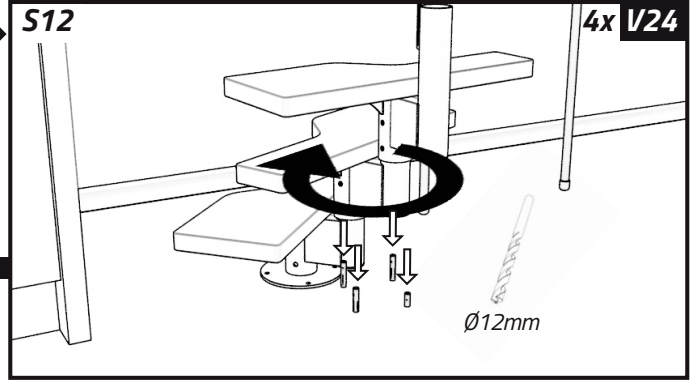
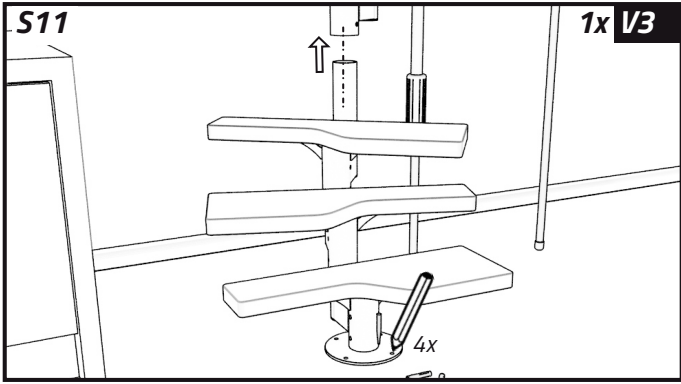
2



3

Vienna

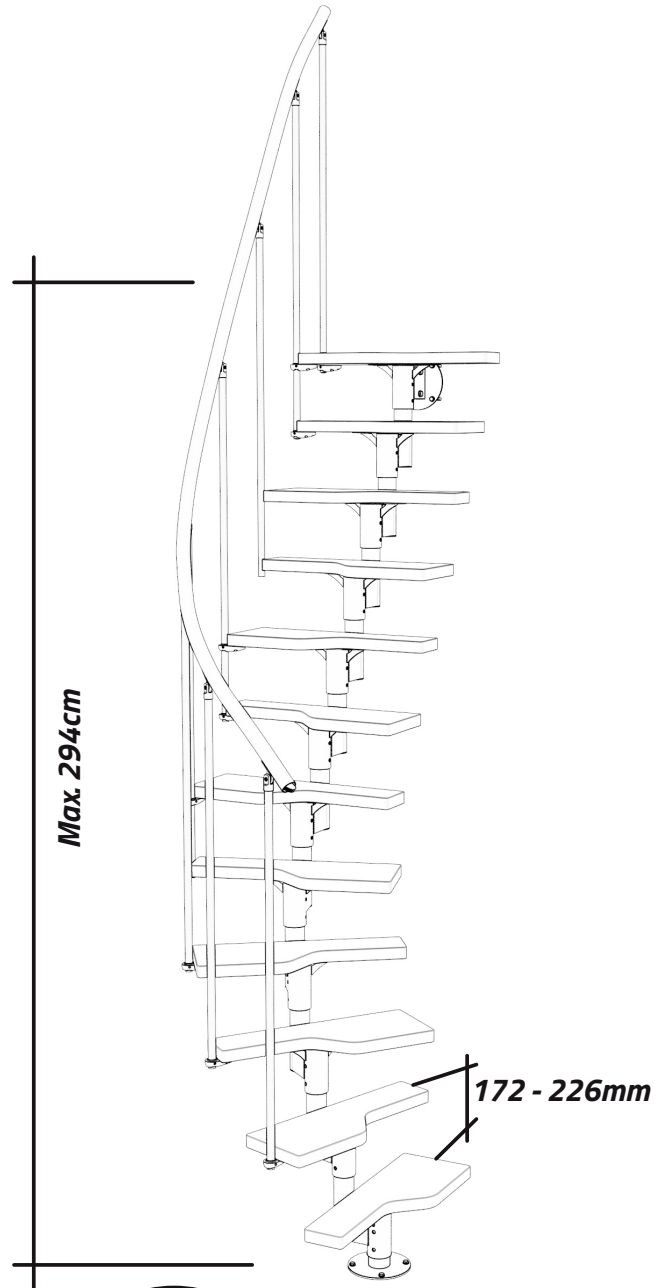
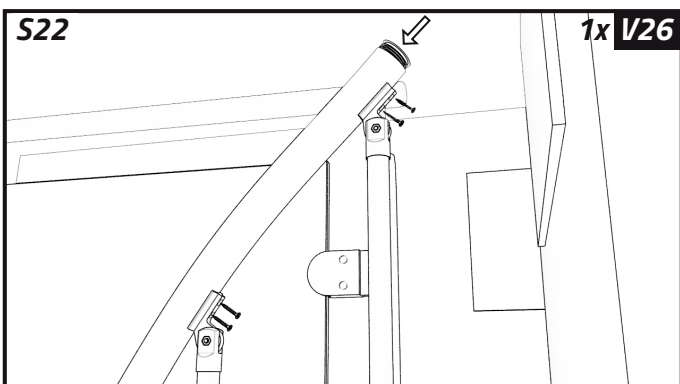
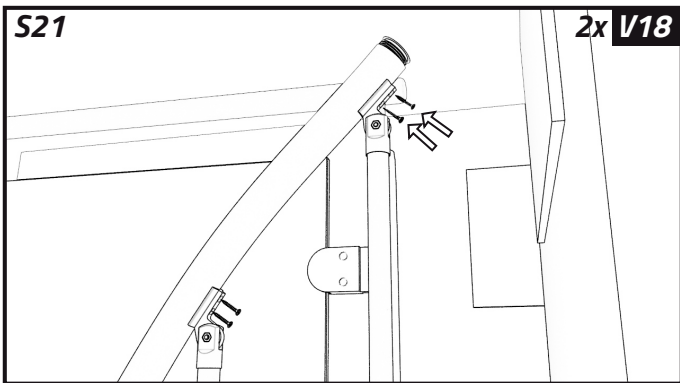
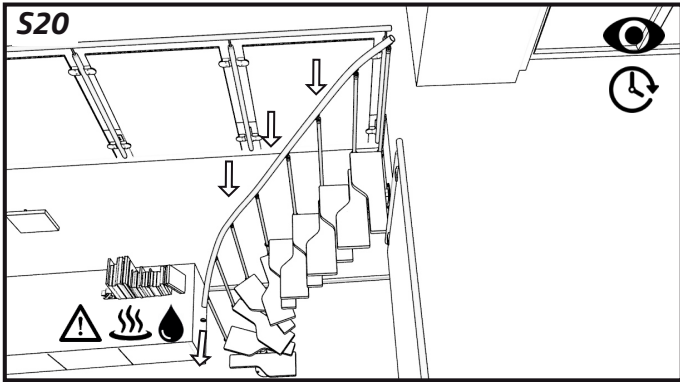
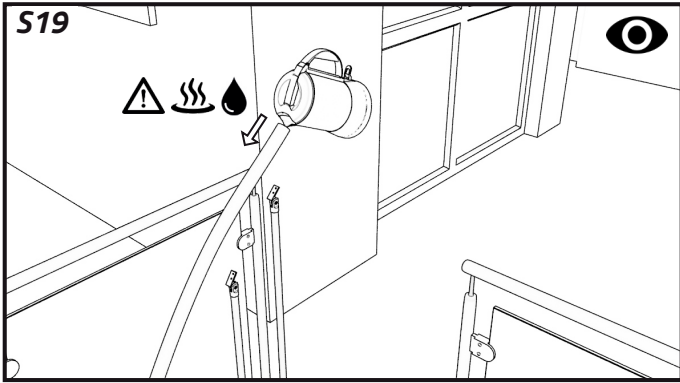
3



4

Vienna

4



OK!