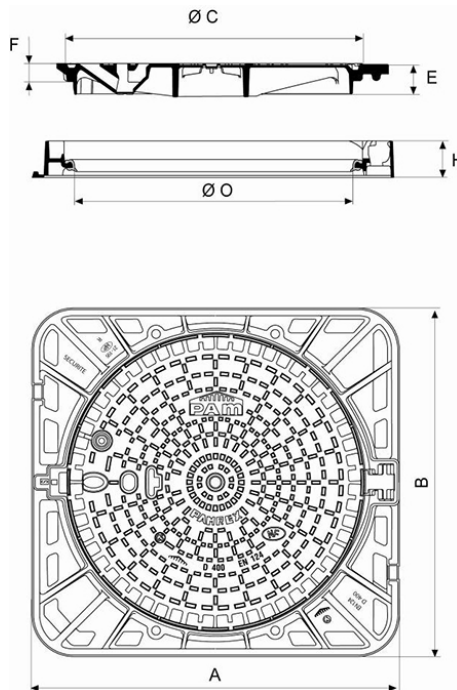


**Poklop PAMREX 700 Safety D400 class Square frame – Bez ventilace**



AxB	C	E	F	H	O	Celková hmotnost	Hmotnost víka	Balení	Kód
mm	mm	mm	mm	mm	mm	kg	kg		
940x900	763	85	50	100	700	118.0	71.0	10	CDPA70MF

**Material and coating:**

- Frame and cover in Ductile Iron EN GJS 400-15: water base coating
- Ring in elastomer

**Field of application:**

- D400 class (Group 4) according to standard EN124-2, carriageways of roads, hard shoulders and parking areas for all types of road vehicles.
- Heavy traffic zones and frequent visits.

**Main characteristics:**

- Hinged cover and ergonomic handling box

<b>PAMREX</b> MUNICIPAL CASTINGS		09/17/2021
		<b>VD40RENPMX423</b>

- Interchangeable covers
- Frame fitted for optimized bedding
- Opens to 130°, blocks at 90° when closing
- Identification of the versions
- Operating Key C24

**Security:**

- Anti-theft pins
- Quarter turn locking system
- Limitation of the run-off water entries