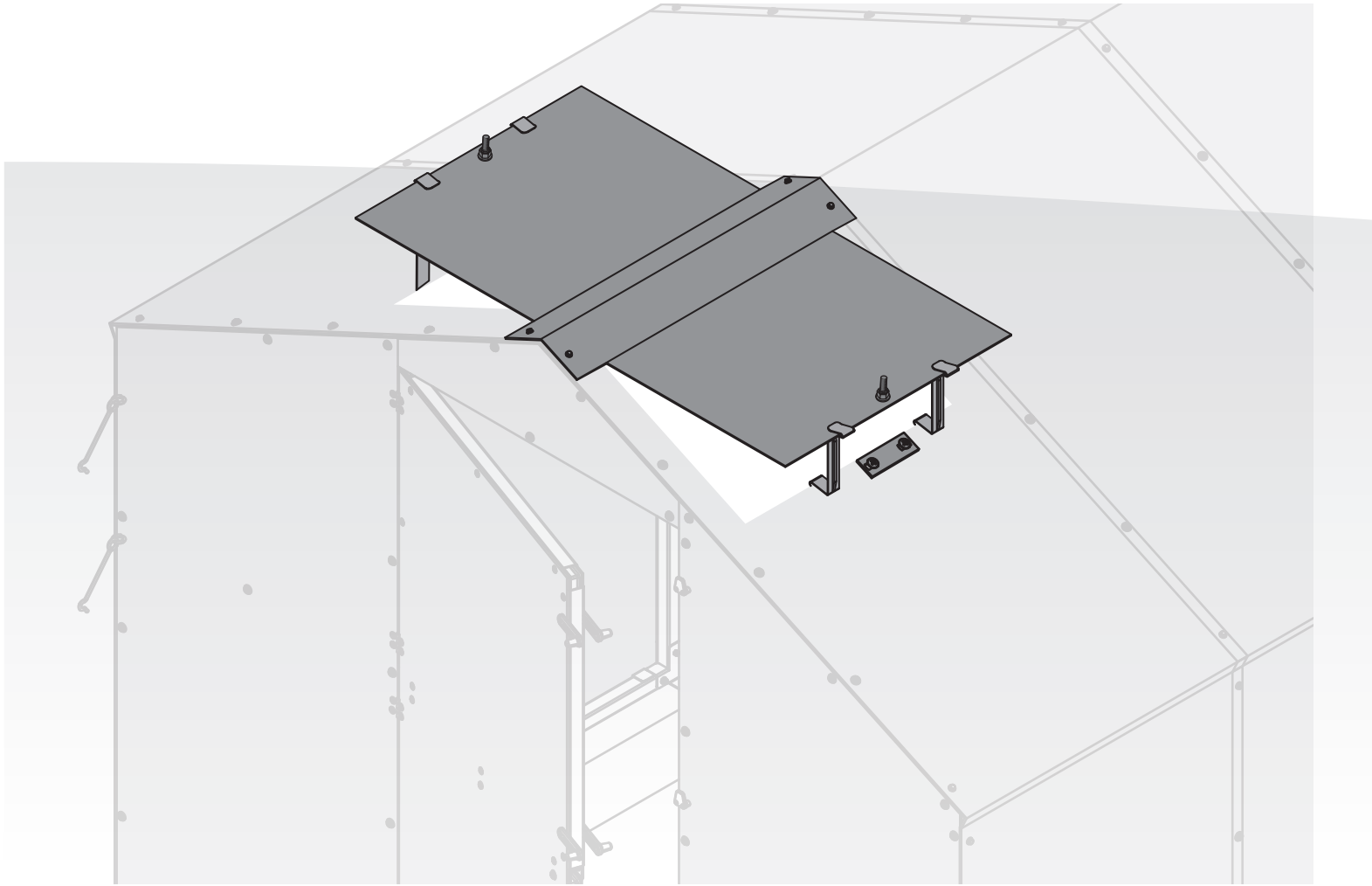
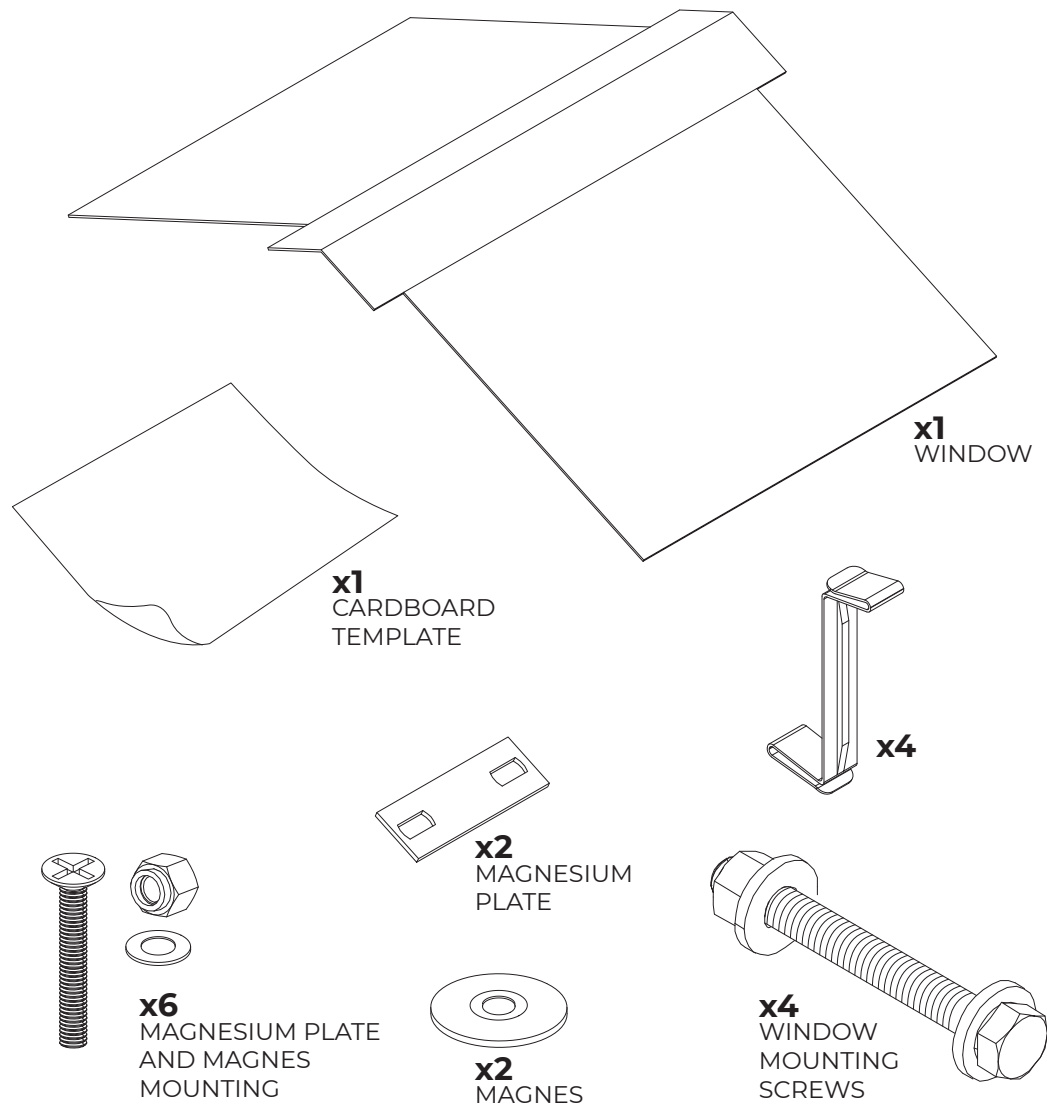


WINDOW



List of elements

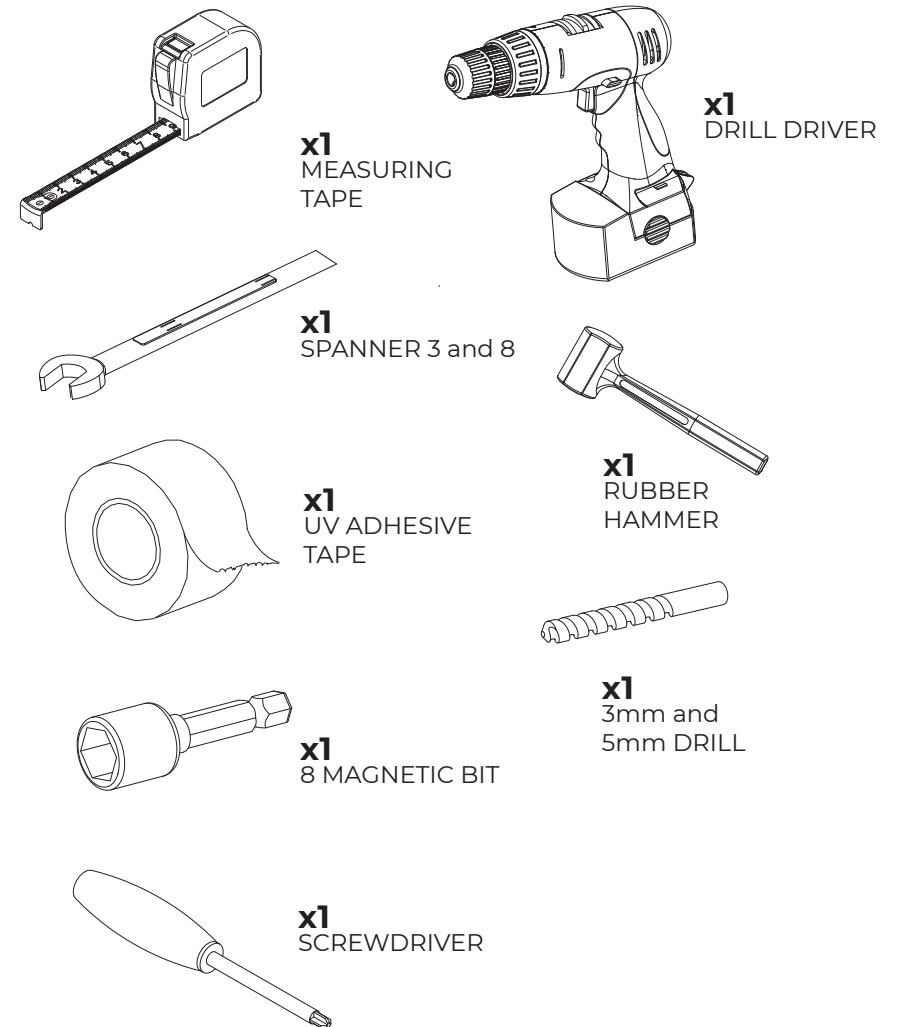


CHECK WHETHER THE PACKAGING INCLUDES ALL THE ELEMENTS.
We recommend elements sorting before their assembly. This will facilitate assembly works.

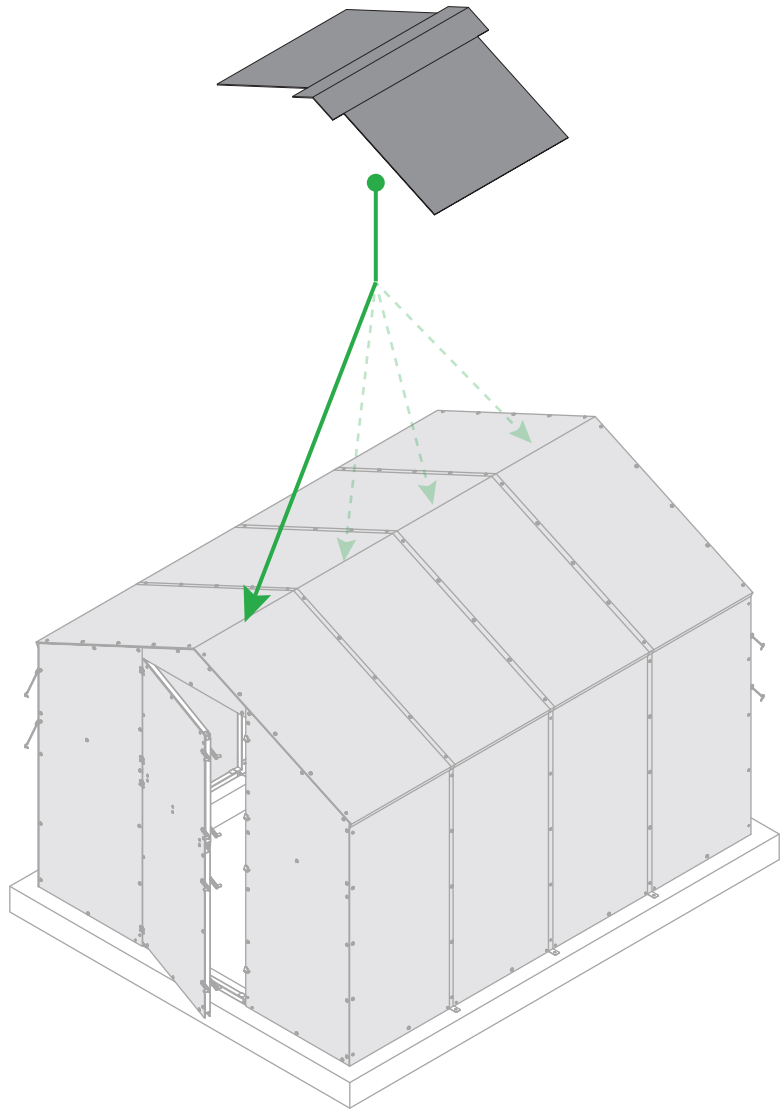
Tools



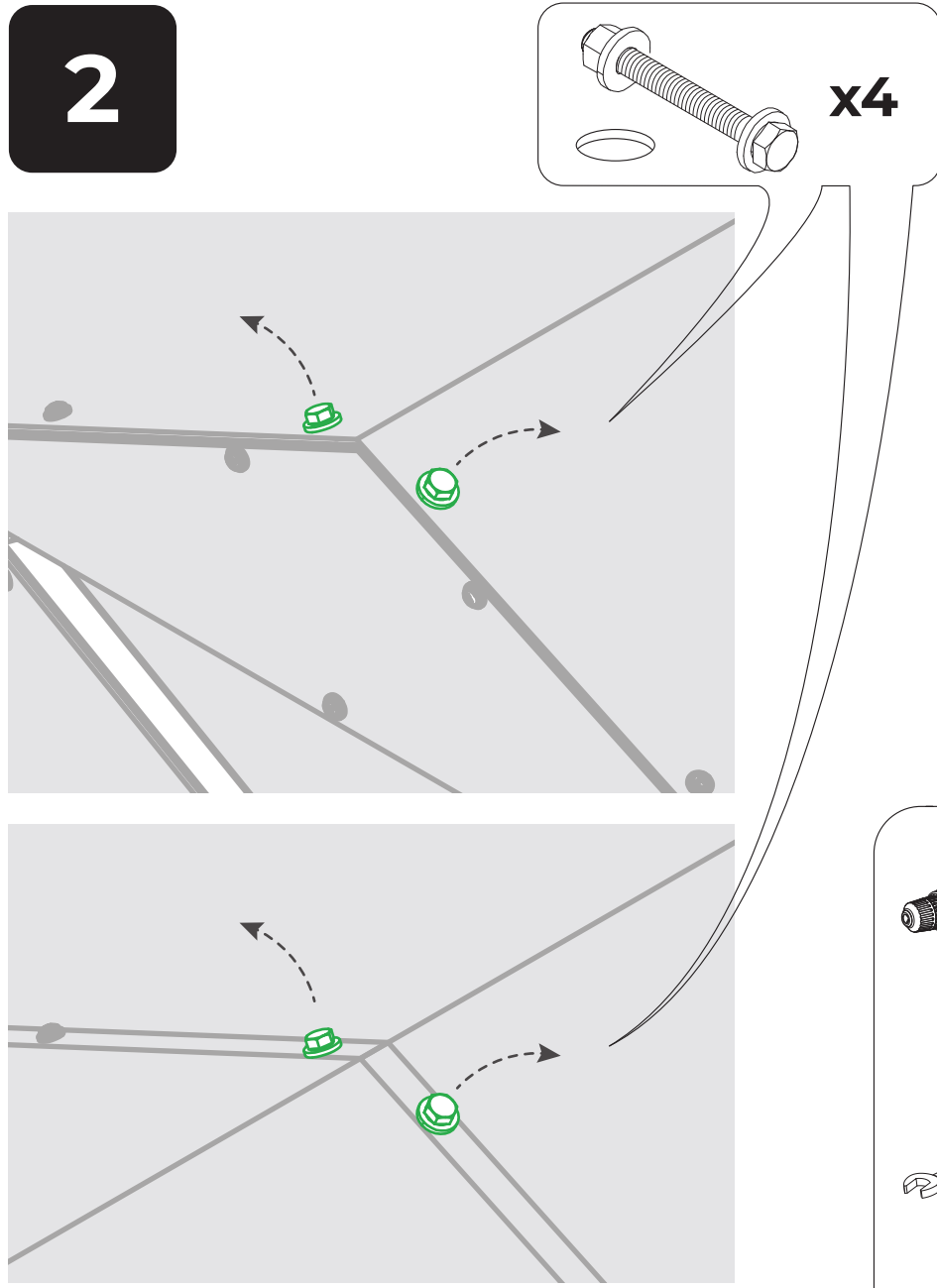
The DIY assembly window lacks some tools.
Provide necessary tools before starting work.



1

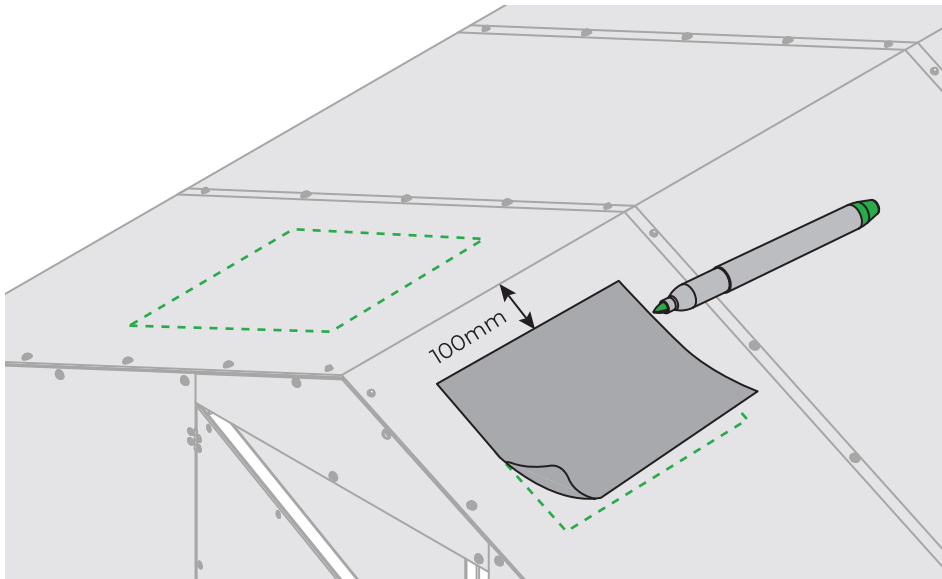
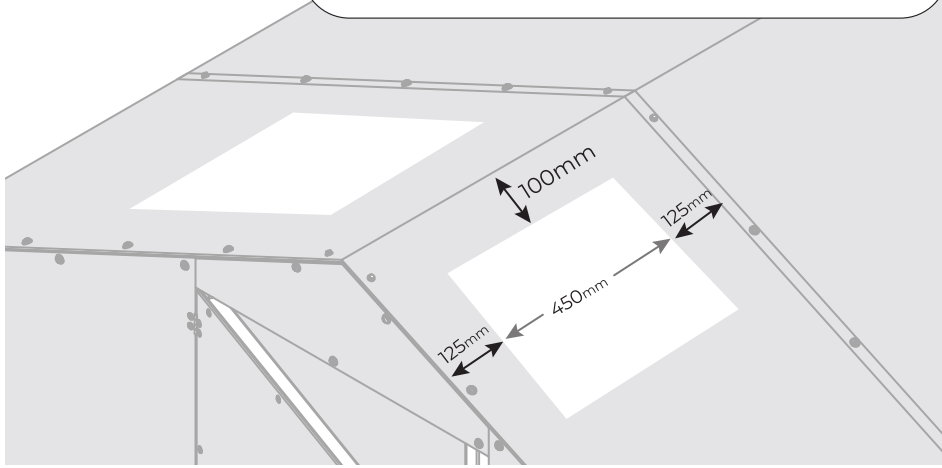
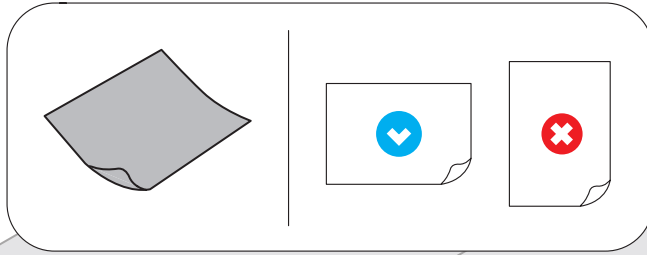


2



REMOVE THE FIXING SCREWS FROM THE PLACE WHERE YOU WANT TO INSTALL THE WINDOW.

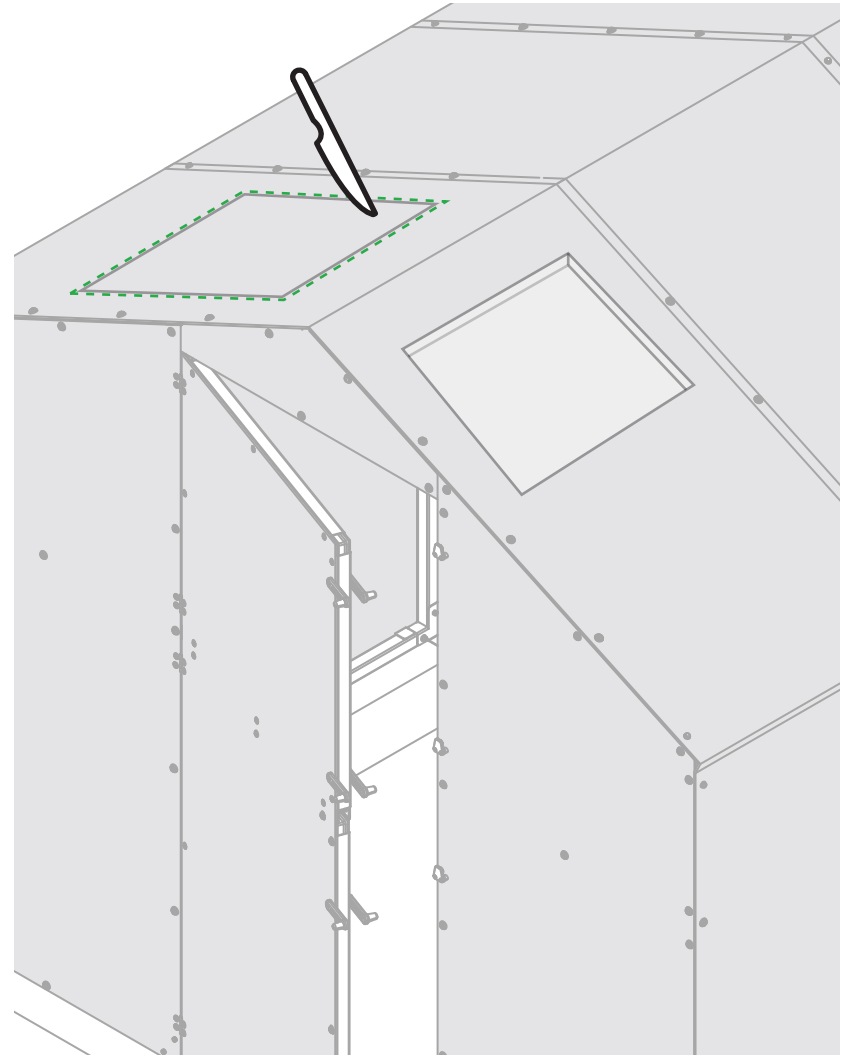
3



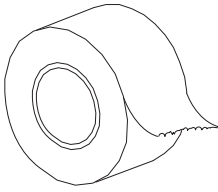
4



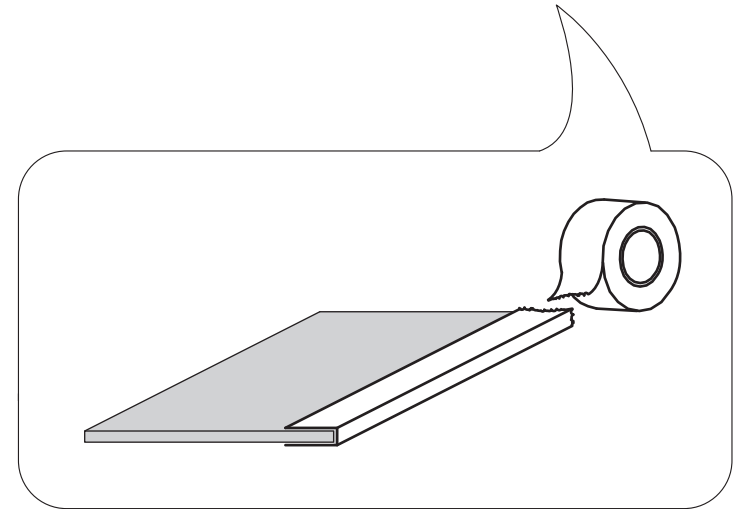
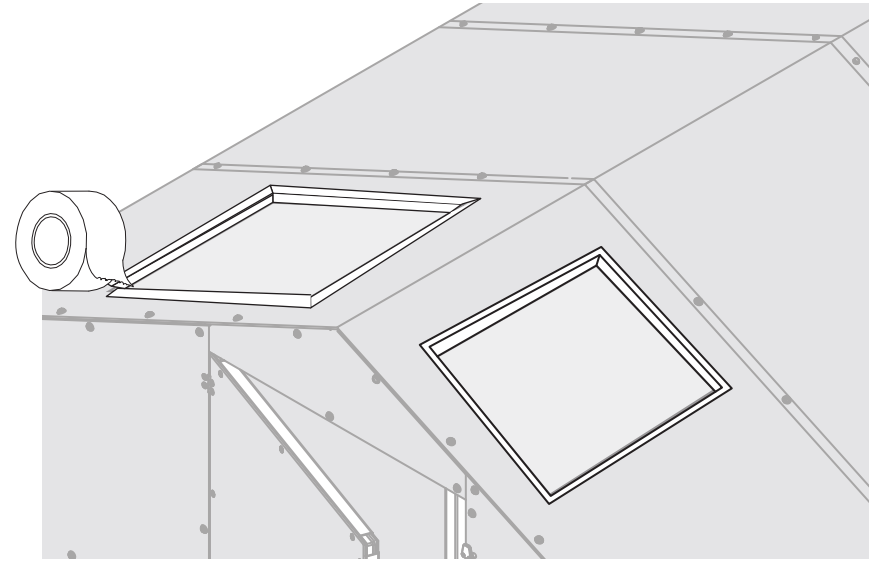
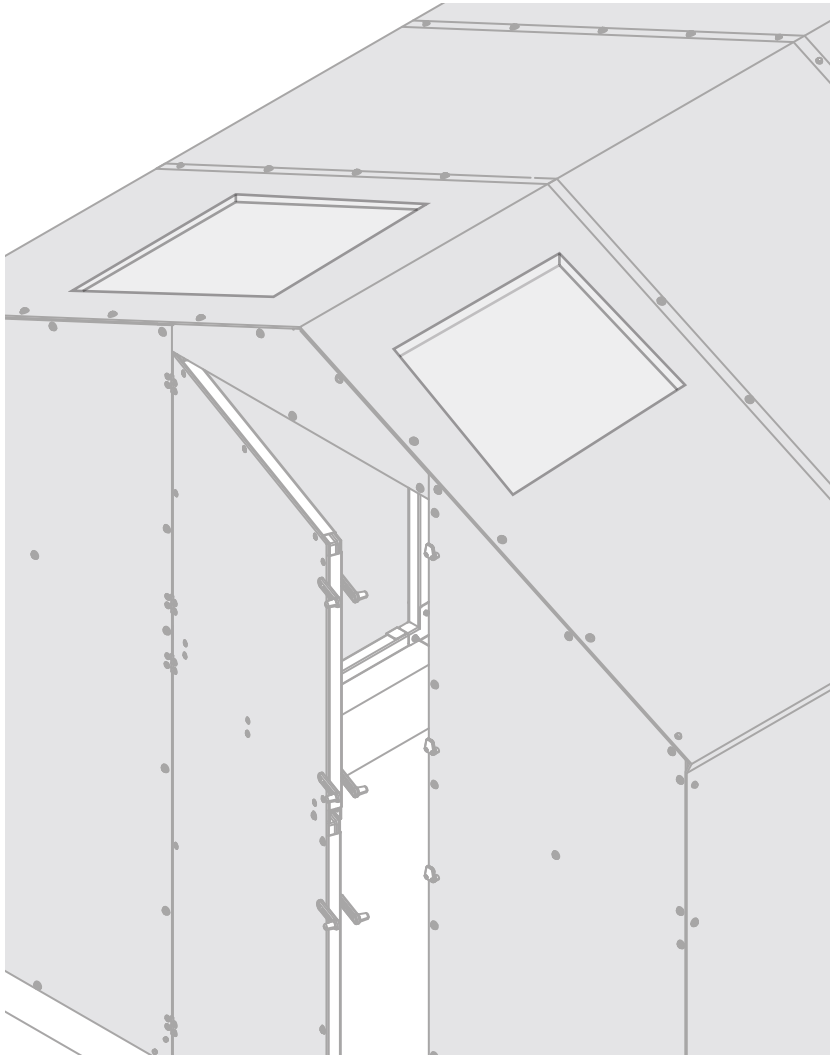
CUT OUT WITH A SHARP TOOL THE WINDOW OPENINGS IN THE POLYCARBONATE.



5

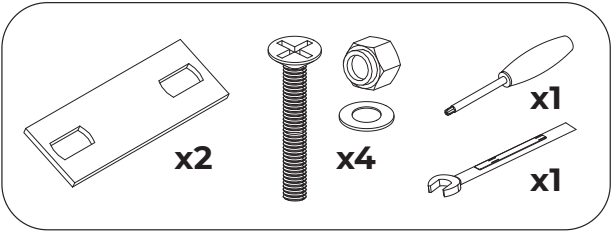
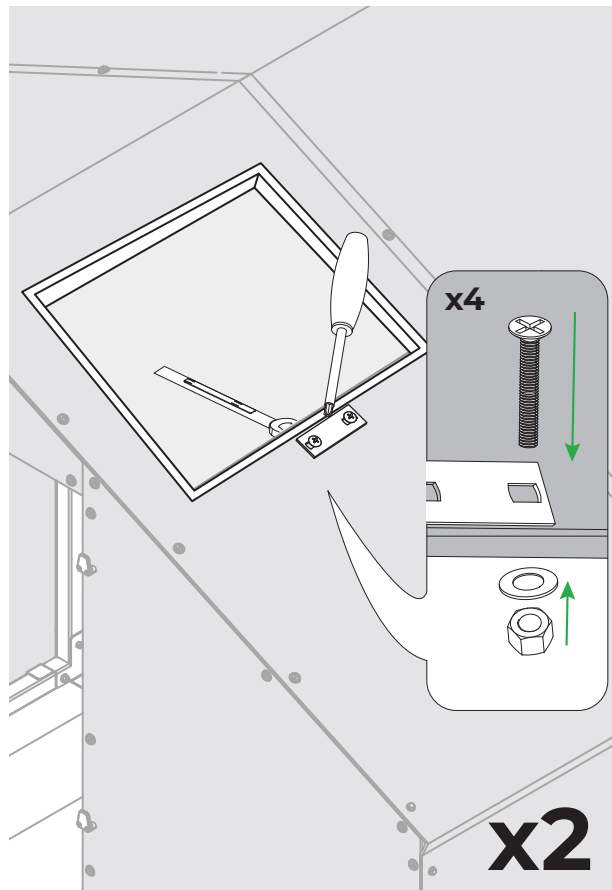
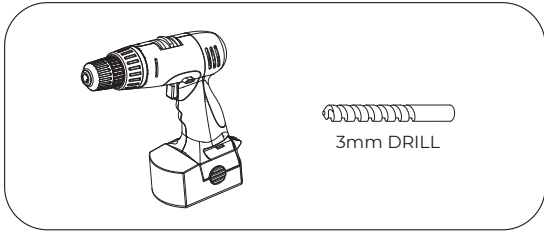
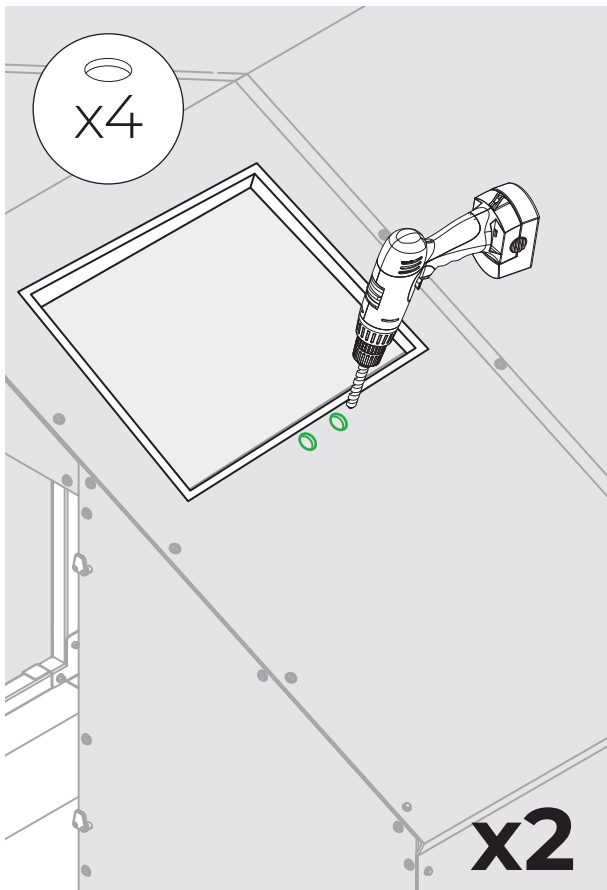
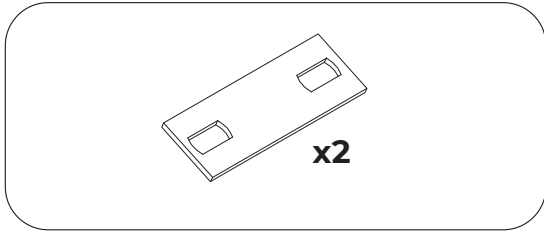
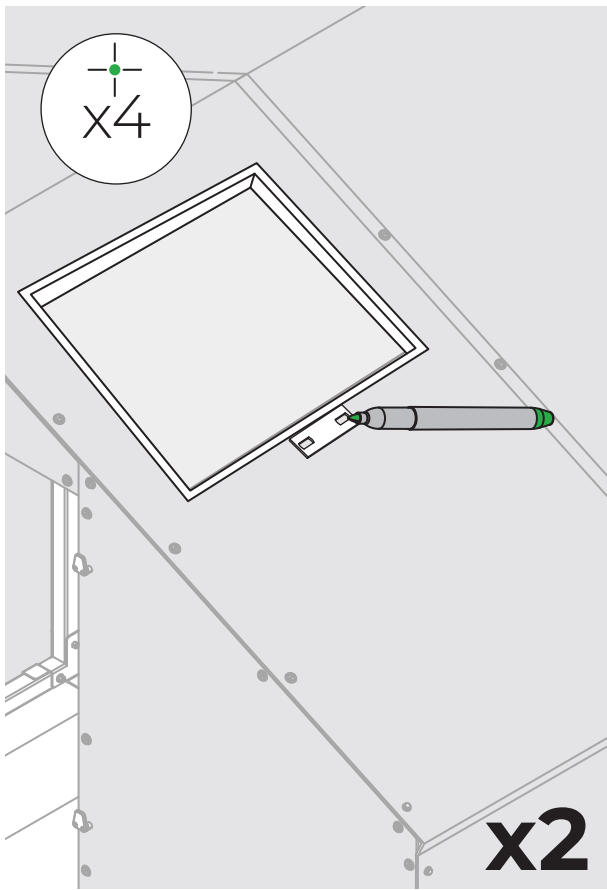


x1
UV ADHESIVE
TAPE

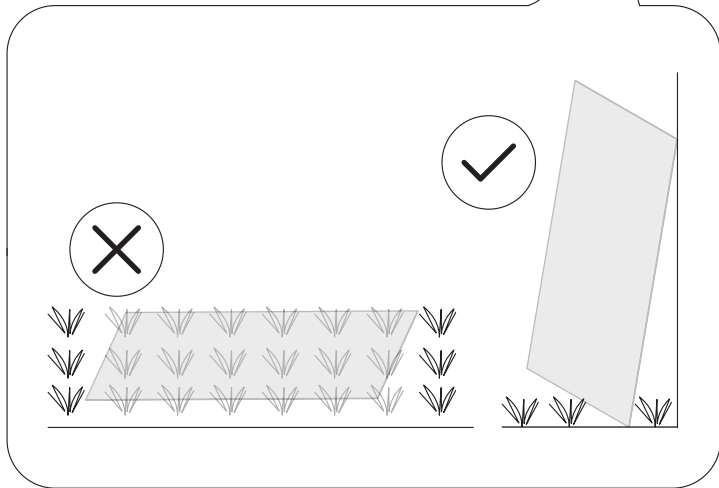
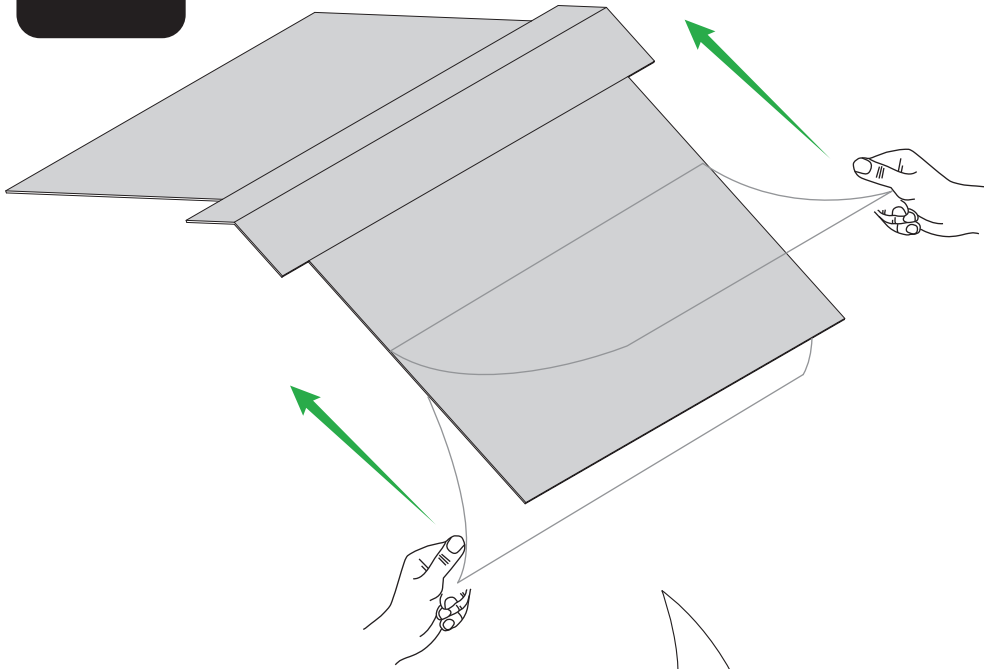


SECURE THE INNER EDGES OF THE HOLE
CAREFULLY WITH UV ADHESIVE TAPE.

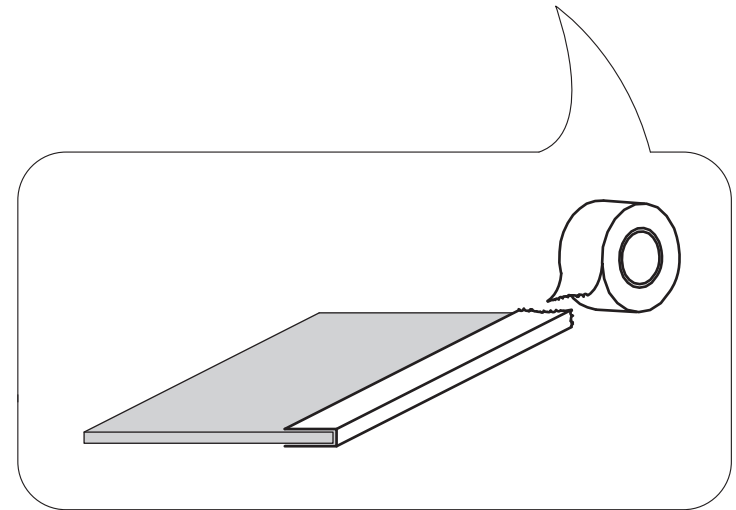
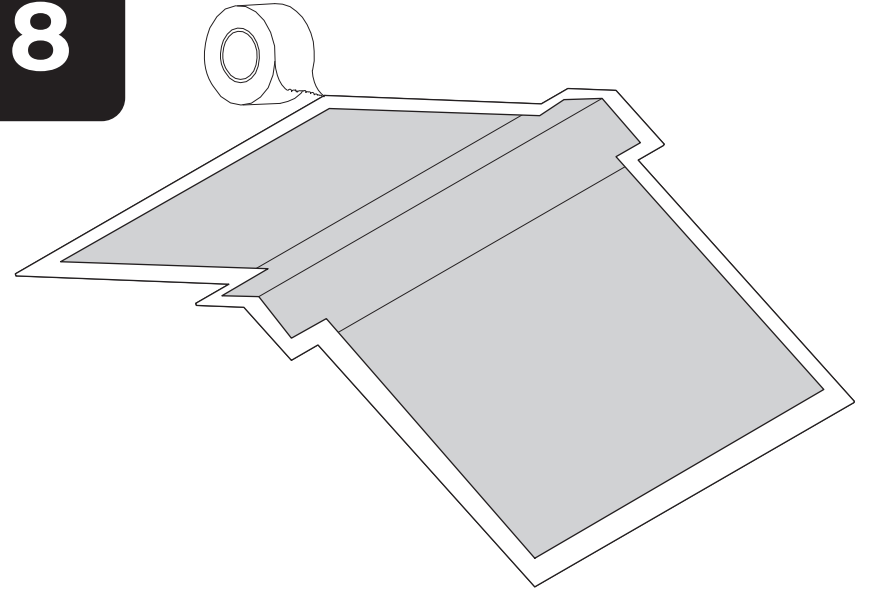
6



7

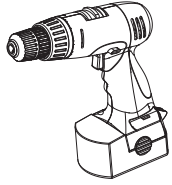


8



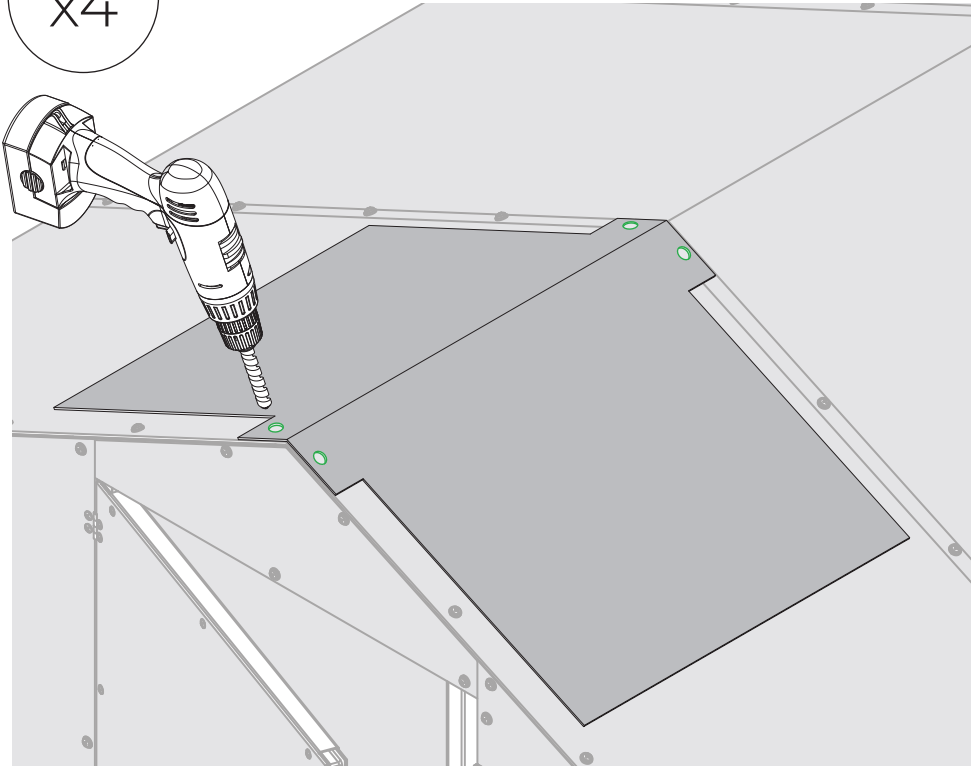
SECURE THE OUTER EDGES OF THE WINDOW CAREFULLY WITH UV ADHESIVE TAPE.

9



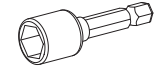
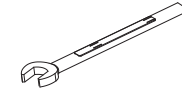
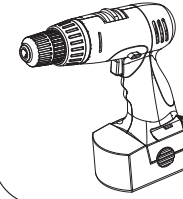
5mm DRILL

x4

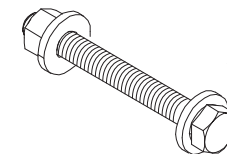
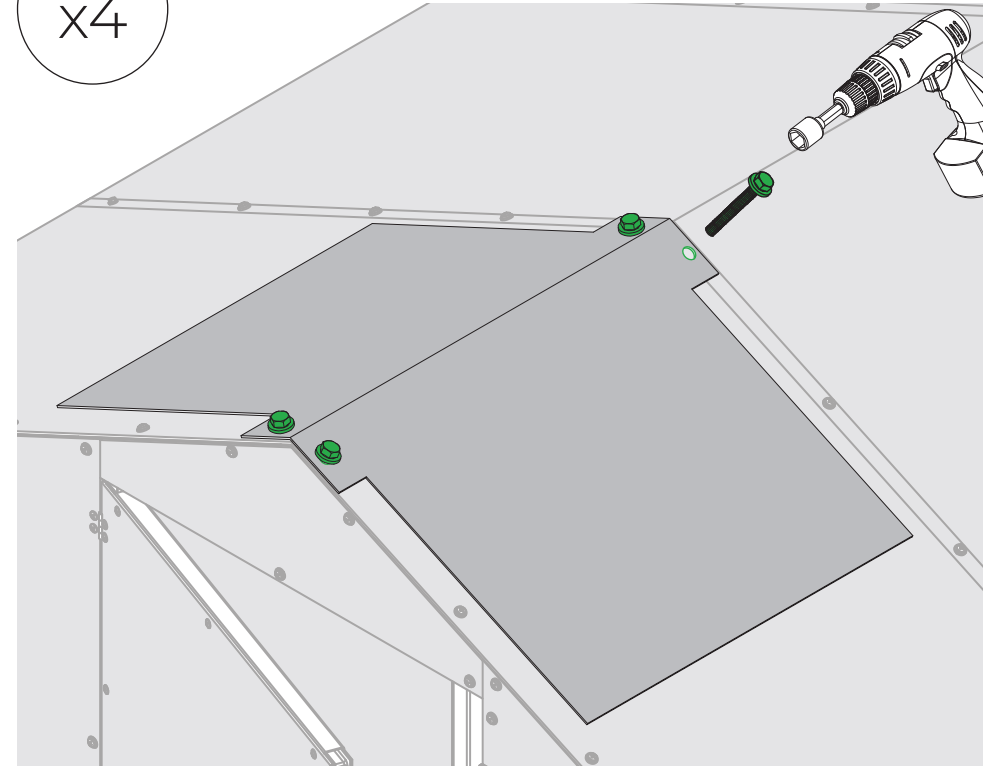


DRILL HOLES IN THE POLYCARBONATE AT THE POSITION OF THE REMOVED SCREWS.

10

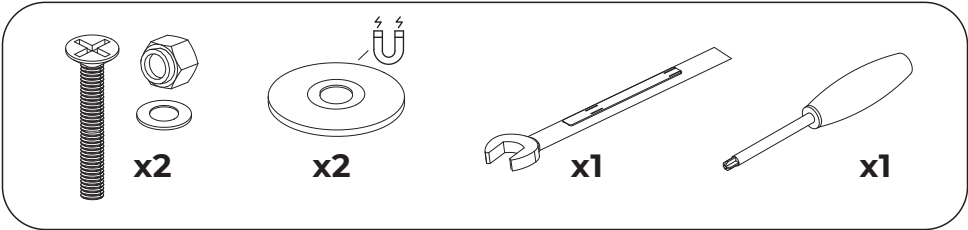
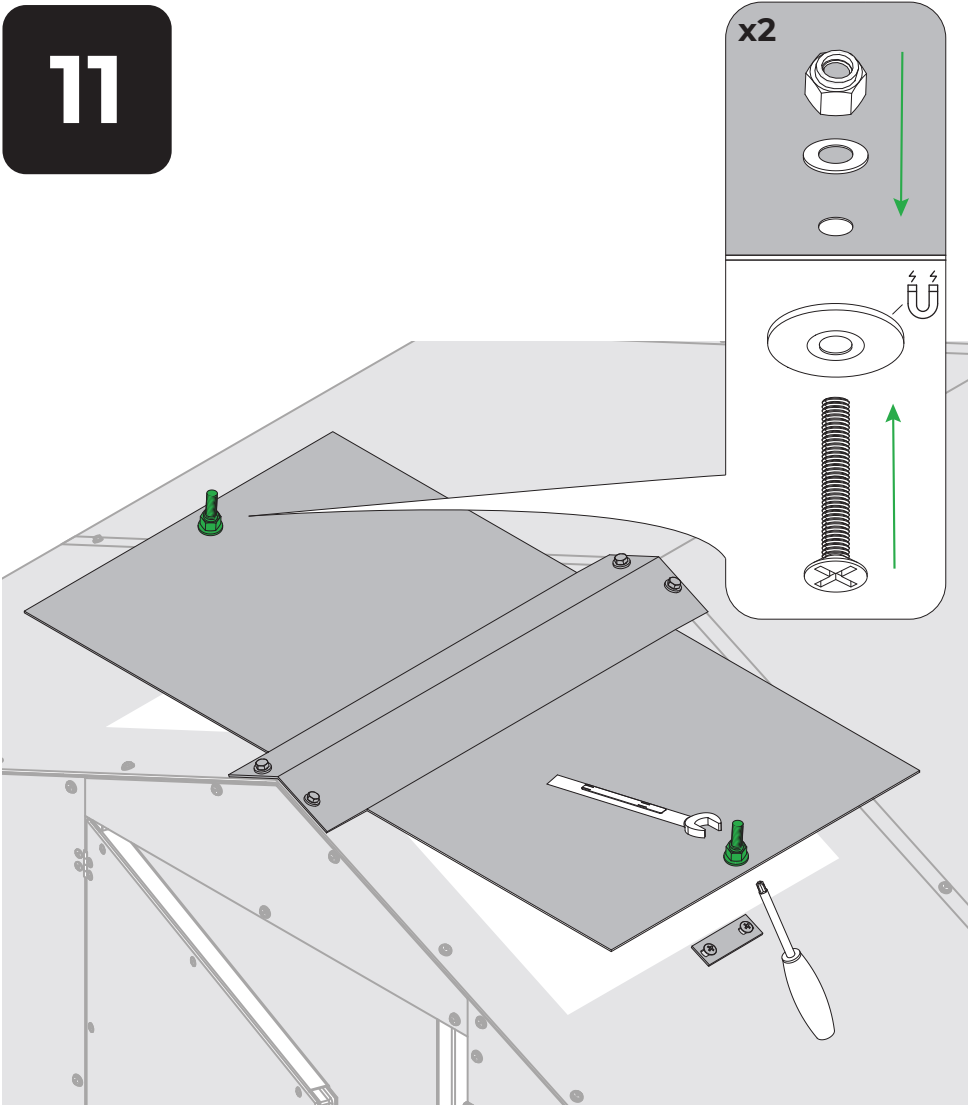


x4



x4

11



12

