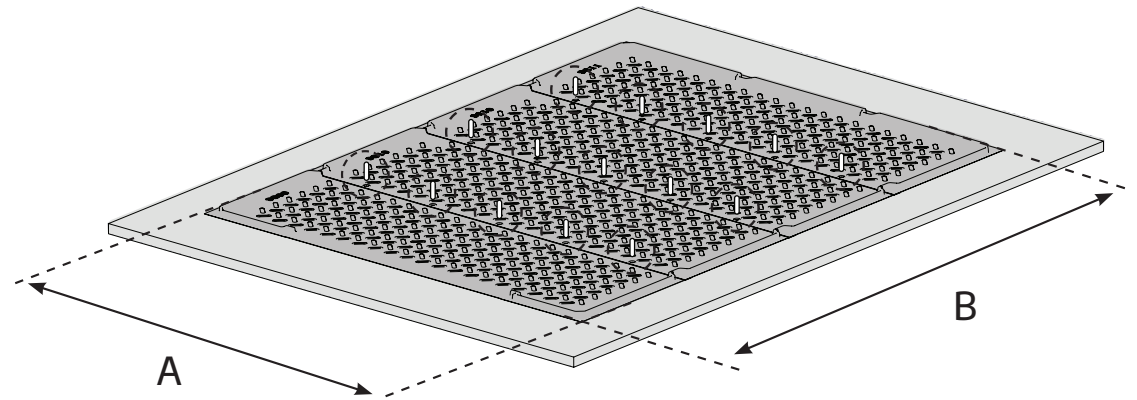


RUBICON™ 8x10 / 2.4x3

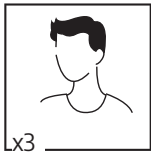


BASE DIMENSIONS RUBICON

MODEL	8x10 / 3.05 x 2.44	
WIDTH	A	228 cm / 7'6"
LENGTH	B	303 cm / 9'11"

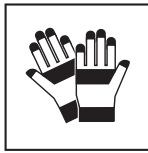


TOOLS & EQUIPMENT



3 people needed

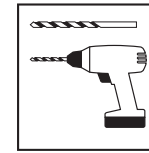
x3



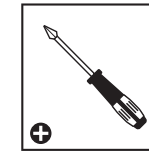
Work gloves



Liquid Soap



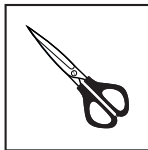
Electric Drill
With Drill Bit
4 mm | 5/32"
5 mm | 13/64"



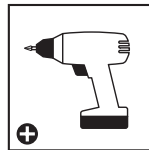
Phillips head
Screwdriver



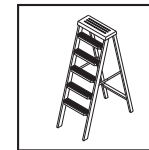
Wrench
7 mm | 17/64"
10 mm | 3/8"



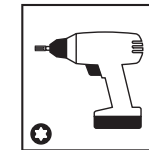
Scissors



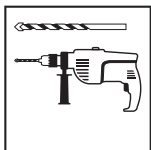
Cordless drill
Phillips head



Ladder



Cordless Drill -
Torx Head T40



Electric Drill
With Drill Bit
10 mm | 3/8"

SITE PREPARATION & FOUNDATION

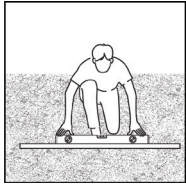
A - PREPARE THE SITE

The product must be positioned and fixed on a flat level surface.

① - Clear the site



② - Level the ground

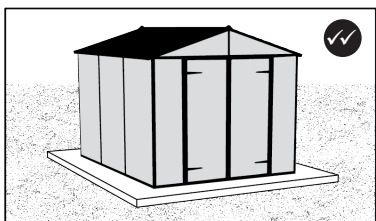
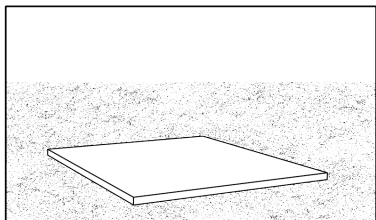


	A	①	②
FR	PRÉPARER LE TERRAIN Le produit doit être positionnée et fixée sur une surface plane	Déblayer le terrain	Niveler le sol
DE	VORBEREITUNG DES UNTERGRUNDES Das Produkt muss auf einem flachen Untergrund aufgestellt und befestigt werden.	Standort säubern	Untergrund ausgleichen und nivellieren
ES	PREPARE EL SITIO El producto debe colocarse y fijarse en una superficie plana y nivelada.	Limpie el sitio	Nivele el terreno
SV	FÖRBEREDA OMRÅDET Produkt måste placeras på en fast och plant underlag.	Rensa området	Platta marken
NN	FORBERED OMRÅDET Produkt må plasseres og festes på et flatt underlag.	Rydd området	Flat ut bakken
FI	VALMISTELE RAKENNUSALUE Pinnan on oltava täysin tasainen ja suora, ja perustan oltava kiinteä.	Raivaa rakennusalue	Tasoita maa
DA	FORBERED OMRÅDET Produkt skal placeres og opføres på en plan flade.	Ryd stedet	Gør jorden jævn
NL	TERREIN VOORBEREIDEN Het grondoppervlak moet perfect vlak en waterpas zijn.	Maak het terrein vrij	Egaliseer de grond
IT	PREPARARE IL SITO Il prodotto deve essere posizionato e fissato su una superficie piana	Sgombrare il sito	Livellare il terreno
SK	PRIPRAVTE SI MIESTO Výrobok musí byť postavený a upevnený na rovnom povrchu.	Vyčistite miesto	Vyrovnajte povrch
SL	PRIPRAVITE LOKACIJO Izdelek mora biti nameščen in pritrjen na ravno in ravno površino.	Očistite lokacijo	Poravnajte tla
ET	VALMISTAGE ETTE MAATÜKK Tootetuleb paigaldada ja kinnitada tasasele pinnale	Puhastage maatükk	Tasandage maapinda
HU	TEREP ELŐKÉSZÍTÉSE A termék építeni, egyenes vízszintes és felületesen helyezze el.	Tisztítsa meg a területet	Egyengesse vízszintesre a talajt
PL	PRZYGOTUJ MIEJSCE Produkt musi być umieszczona i umocowana na płaskiej i równej powierzchni.	Oczyść miejsce	Wyrównaj podłoże
RU	ПОДГОТОВЬТЕ ПЛОЩАДКУ Продукт нужно расположить и зафиксировать на плоской ровной поверхности.	Очистите площадку	Выворняйте грунт
LAT	SAGATAVOJĪET VIETU Produktu jānovieto un jānostiprina uz plakanas gludas virsmas.	Notīriet vietu	Nolīdziniet zemi
CS	PŘIPRAVTE SI MÍSTO Produkt musí být umístěn a upevněn na rovném povrchu	Vyčistěte místo	Vyrovnejte povrch
HR	PRIPREMITE LOKACIJU Proizvod mora biti postavljen i pričvršćen na ravnu površinu.	Očistite površinu	Poravnajte tlo
RO	PREGĂTIȚI SITE-UL Produsul trebuie poziționat și fixat pe o suprafață plană.	Curățați suprafața locației de instalație	Nivelați pământul
LIT	PARUOŠKITE VIETĄ Produktą reikia išlygiuoti ir įrengti ant plokščio bei lygaus paviršiaus.	Išvalykite vietą	Išlygiuokite pagrindą
HE	הכן את האתר את המוצר יש להקים על קרקע יציבה ומפולסת בכדי שהוא יתפקד כראוי.	פנה את האתר	פלט את הקרקע

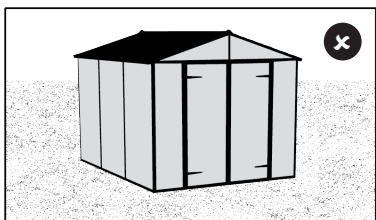
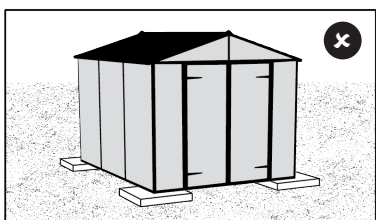
B - CHOOSE YOUR FOUNDATION TYPE

For a foundation, we recommend using three material types :
Concrete / Pressure treated wood / wood deck / Paver blocks

Solid foundation



Not possible

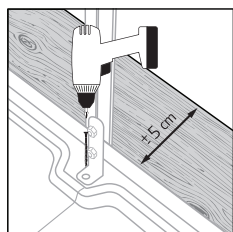
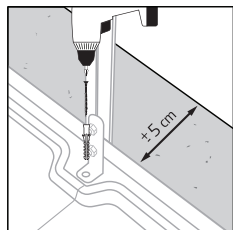


* The size of the product displayed is for illustration purposes only and may not reflect the size of your product.

	B	Solid foundation Preferred ✓	Not possible ✗
FR	<p>CHOISIR VOTRE TYPE DE FONDATIONS Pour la fondations, nous recommandons d'utiliser trois types de matériaux : Béton / Bois traité sous pression / plancher en bois / Blocs de pavés. * La taille de la produit affichée ici est uniquement à titre d'illustration et ne reflète pas forcément la taille de votre produit.</p>	Une fondation solide Recommandé	Pas possible
DE	<p>FUNDAMENTWAHL Als Fundament stehen Folgende Materialien zur Auswahl (Empfehlung): Beton / Druckbehandeltes Holz / Holzdeck / Pflastersteine. * Die Größe des abgebildeten Produkt dient nur zur Veranschaulichung und entspricht möglicherweise nicht der Größe Ihres Produkt.</p>	Fester Fundament Optimal	Nicht möglich
ES	<p>ELIJA EL TIPO DE CIMENTACIÓN Como cimentación, recomendamos usar tres tipos de materiales: Hormigón / Madera prensada / Piso de madera / Adoquín de hormigón. * El tamaño del producto que se muestra tiene un propósito meramente ilustrativo y puede no reflejar el tamaño de su producto.</p>	cimentación sólida Preferido	No es posible
SV	<p>VÄLJ GRUNDTYP Som stiftelse rekommenderar vi tre typer av material: Betong / Tryckbehandlat trä / trægolv / Beläggingssten * Produkt storlek är endast för att illustrera och visar inte rätt storlek på ditt produkt.</p>	Solid stiftelse Föredraget	Omöjligt
NN	<p>VELG FUNDAMENTTYPE Som fundament anbefaler vi tre typer materiell: Betong Trykkbehandlet tre/tredekke Belegningsstein * Produktets størrelse er bare for illustrasjon, og viser ikke korrekt størrelse på ditt produkt.</p>	Solid fundament Foretrukket	Ikke mulig
FI	<p>VALITSE RAKENNUSPOHJAN TYYPPI Rakennuspohjaksi suosittelemme kolmea materiaalityyppiä: Beton Painekäsitelty puu/puukansi Kiveyselementit * Esillä olevan tuote koko on tarkoitettu vain havainnollistamistarkoituksiin eikä se välttämättä vastaa tuote kokoa.</p>	Kiinteä rakennuspohja Suositeltu	Ei mahdollinen
DA	<p>VÆLG DIN FUNDAMENTTYPE Til en fundament anbefaler vi at bruge tre materialetyper: Beton / Trykbehandlet træ / trædæk / Udlægningsblokke * Størrelsen på det viste produkt er kun til illustration og afspejler muligvis ikke størrelsen på dit produkt.</p>	Solid fundament Foretrukket	Ikke muligt
NL	<p>KIES UW TYPE FUNDERING Als fundering adviseren wij drie materiaalsoorten te gebruiken: Beton Onder druk behandeld hout/houten dek Bestratingsblokken * De grootte van de getoonde Product dient enkel ter illustratie en weerspiegelt mogelijk niet de grootte van uw eigen Product.</p>	Massieve fundering Voorkeur	Niet mogelijk
IT	<p>SCEGLIERE IL TIPO DI FONDAMENTA Come fondamenta consigliamo tre tipi di materiali: Calcestruzzo / Legno pressato / Pavimenti in legno / Calcestruzzo per pavimentazioni. * La dimensione della Prodotto visualizzata è solo a scopo illustrativo e potrebbe non rispecchiare le dimensioni della vostra Prodotto.</p>	Fondamenta solide Preferito	No possible
RO	<p>ALEGEȚI TIPUL DE FUNDAȚIE Pentru fundație, vă recomandăm să folosiți aceste trei tipuri de materiale: Beton / Lemn tratat sub presiune / Teren din lemn / Blocuri de pavaj * Dimensiunile produsului prezentat sunt doar cu titlu ilustrativ, și este posibil să nu reflecte dimensiunile produsului dvs.</p>	Fundație solidă Preferat	Nu este posibil
HE	<p>בחר את סוג היסודות שלך בתור בסיס אנו ממליצים לעשות שימוש בשלושה סוגי חמרים: בטון עץ שעבר טיפול הקשייה/דק עץ בלוקים לריצוף. * גודל המוצר המוצג הינו להדגמה בלבד ולא מייצג את גודל המוצר שלכם.</p>	קרקע מוצקה מועדף	בלתי אפשרי

C - ANCHOR TO FOUNDATION

① - On a solid foundation



Secure the product to the foundation of your choice using screws & plugs or masonry anchors supplied.

Make sure you have at least 5 cm / 2" between the product base and the edges of your foundation - **on all sides.**

	C	①
FR	ANCRAGE A LA FONDATION Fixez le produit à la fondation de votre choix, à l'aide de vis et de chevilles appropriées ou d'ancrages en maçonnerie fournis. Assurez-vous qu'il y a au moins 5 cm entre la base du produit et le périmètre de votre fondation - <u>de tous les côtés.</u>	Sur une fondations solide
DE	BEFESTIGUNG AM FUNDAMENT Mit geeigneten Dübeln und Schrauben oder Mauerwerksankern, je nach gewähltem Fundamenttyp mitgeliefert. Stellen Sie sicher, dass zwischen der Basis des Produkts und den Kanten Ihres Fundaments auf <u>allen Seiten</u> mindestens 5 cm Abstand sind.	Befestigen Sie das Produkt auf einem festen Fundament
ES	ANCLAJE A LOS CIMENTOS Asegure el producto a los cimientos de su elección, usando tornillos y tacos adecuados o anclajes de mampostería suministrados. Asegúrese de tener al menos 5 cm 2" entre la base del producto y el perímetro de su cimiento - <u>en todos los lados.</u>	Sobre una cimentación sólida
SV	FEST FÖR STIFTELSE På en solid bas, säkra produkten till den grund du valt med lämpliga skruvar, pluggar eller väggfästen ingår. Se till att du har minst 5 cm 2" mellan produktens bas och kanterna på fundamentet - <u>på alla sidor.</u>	På en solid stiftelse
NN	FEST TIL FUNDAMENT Sikrer du produktet til fundamentet du har valgt med passende skruer, pluggar eller murfester inkludert. Forsikre deg om at du har minst 5 cm 2" mellom bunnen av produktet og kantene på fundamentet ditt - <u>på alle sider.</u>	På en solid fundament
FI	RAKENNUSPOHJAN ANKKURI Mikäli tuote rakennetaan kiinteälle rakennuspohjalle, kiinnitä tuote valitsemaasi rakennuspohjaan sopivilla ruuveilla & tapeilla tai muurausankkureilla toimitukseen. Varmista, että sinulla on vähintään 5 cm 2" tilaa tuotteen alustan ja perustuksen reunojen välillä - <u>kaikilla puolilla.</u>	Kiinteälle rakennuspohjalle
DA	FASTGØRELSE TIL FUNDAMENTET Skal du fastgøre produktet til det fundament, du vælger, ved hjælp af passende skruer & stik eller murankre medfølger. Skal du sørge for at have mindst 5 cm 2" mellem produktrammen og kanterne på dit fundament - <u>på alle sider.</u>	På et solidt underlag
NL	VERANKERING AAN FUNDERING Zet het product op een stevige basis vast op de fundering van uw keuze, met geschikte schroeven & pluggen of metselwerkankers meegeleverd. Zorg ervoor dat u minstens 5 cm hebt tussen de basis van het product en de randen van uw fundering - <u>langs alle kanten.</u>	Op een stevige fundering
IT	ANCORAGGIO ALLE FONDAMENTA Fissare il prodotto delle fondamenta di vostra scelta, utilizzando viti e tasselli adeguati o ancoraggi in muratura forniti. Assicuratevi di avere almeno 5 cm tra la base del prodotto e i bordi del tuo fondotinta - <u>su tutti i lati.</u>	Su Fondamenta solide
RO	ANCORAJUL LA FUNDATIE Ancorați produsul pe fundația aleasă folosind șuruburi și dibluri adecvate sau ancore de zidărie furnizate. Asigurați-vă că pe toate părțile aveți cel puțin 5 cm 2" între baza produsului și marginile fondului de teren.	A fi ancorat numai pe o fundație solidă
HE	עגן את הבסיס חבר את המוצר לבסיס (יסוד) שבחרת והשתמש בברגים מתאימים וסגרים, או עוגני בנאות שסופקו וודאו שיש לכם לכל הפחות 5 סמ' בין מסגרת המוצר וקצות הבסיס (היסוד) - <u>בכל הצדדים.</u>	על קרקע מוצקה

SAFETY ADVICE

- It is of utmost importance to assemble all of the parts according to the directions. Do not skip any steps.
- Always wear work gloves during panel sliding.
- Always wear shoes and safety goggles when working with extruded aluminium.
- If using a step ladder or power tools make sure that you follow the manufacturer's safety advice.
- Do not touch overhead power cables with the aluminium profiles.
- Do not attempt to assemble the product in windy or wet conditions.
- Dispose of all plastic bags. Keep them out of reach of small children.
- Keep children away from the assembly area.
- Do not lean against or push the products during construction.
- Do not position your product in an area exposed to excessive winds.
- Do not attempt to assemble this product if you are tired, have taken drugs or alcohol or if you are prone to dizzy spells.
- Hot items such as recently used grills, blowtorches etc. must not be stored in the product.
- Make sure there are no hidden pipes or cables in the ground before anchoring to foundation.
- This product is designed to be used mainly as a garden shed.
- To prevent water from seeping through the floor, the product must be mounted on a raised surface from the ground.
- **Make sure to anchor the product directly to a solid foundation to increase the product's stability and wind resistance in areas with severe weather conditions. Make sure that there are no obstructions between the assembly area and the final position of the product. The Palram - Canopia Anchoring kit is available for purchase separately.**

CARE & MAINTENANCE

- When your product needs to be cleaned, use a mild detergent solution and rinse with cold clean water.
- DO NOT use acetone, abrasive cleaners or other special detergents to clean the panels.
- Clean the product once assembly is complete.

BEFORE ASSEMBLY

- Selecting a site:
 - Choose your site carefully before beginning assembly.
 - Choose a sunny position away from overhanging trees.
 - The product must be positioned and fixed on a flat level surface.
- The product must be secured directly to a solid foundation.
- This is a multi-part assembly best achieved by two people. Allow at least half a day for the assembly process.
- Take all components & parts out of the packages. Sort the parts and check against the content parts list.
- Parts should be laid out close at hand. Keep all small parts (screws etc.) in a bowl so they do not get lost.
- Please note multi-sided profiles are used in this product. As a result some holes in the profiles are not used during assembly.
- Please review entire instructions before starting. Carry out the assembly steps in exact order.
- Please consult your local authorities if any permits are required prior to constructing the product.
- Please ensure you have sufficient side space for inserting the roof panels during the assembly process.

IMPORTANT!

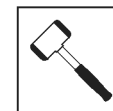
- Firmly connect the product to a level surface immediately after completion of the assembly.
- Anchoring this product to the ground is essential to its stability and rigidity. It is required to complete this stage in order for your warranty to be valid.
- During assembly use a soft surface below the parts to avoid scratches and damages.
- We recommend checking for restrictions or covenants for building this product in your area. In addition we advise to check if you need to submit any forms or if any permit is required prior to building the product.

DURING ASSEMBLY

During assembly, you will encounter different icons for different products. Please see below for more information:



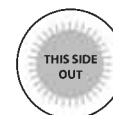
You may use silicone lubricant spray on the frame in order to help you slide the panels into the profiles. Do not spray the panels.



Use a rubber mallet if necessary.



Make sure you remove covering plastic film from both sides of the panel.



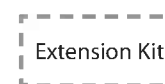
All panels with the stamped words "THIS SIDE OUT" must be facing out to create full UV protection. Remove plastic sticker as panels are locked in place.



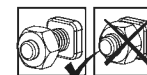
This icon indicates that the installer should be inside the product.



This icon indicates that the installer should be outside the product.



Steps marked with dashed outlines refer to Extensions only. Some of the steps are irrelevant for an assembly of a single product. When assembling a single or an extended product, some parts may be surplus.



These 2 icons below indicate if screw's tightening is required or not.



Temporary tightening of a few screws may be needed to prevent a profile from sliding out.

Tighten all screws once assembly is completed.















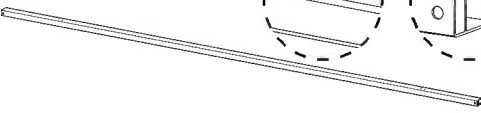




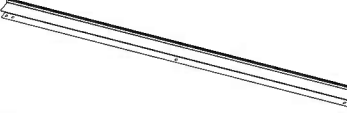
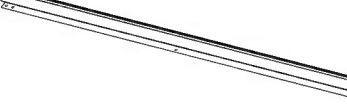

IMPORTANT ASSEMBLY STEPS





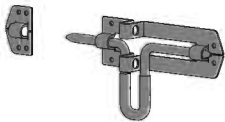
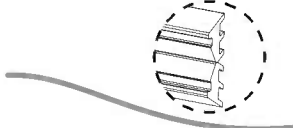
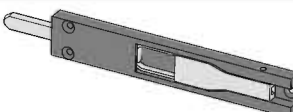
When encountering this information icon during assembly, please refer the relevant assembly step for important additional comments.

- Step 26:** Please apply silicone (caulk) sealant at the connection between both Aluminum **(diagram a+c)**, profiles, in order to prevent water from seeping in.
Nut **#8050** should be positioned according to the perforation in the profile, as shown in the marked round figure **(b)**!
- Step 28:** Remove plastic film from the panel if exist!
- Step 31:** Leave 2 screws **#8192** at each end of the central profile for use in **Step 43 (see Drawing a)**.
Screw **#8192** should be placed between the profiles **#8258** as shown in the marked round figure!
- Step 37:** When assembling the doors, pay attention to the direction of the panels, profiles and holes.
- Step 42:** The door can be installed either as a left or right hand door. These instructions show a right hand door assembly.
- Step 43:** Use the marked holes as shown.
- Step 45:** Install the sealing strip on the outer side as shown in the **Diagram a**.
Use mild soap for easier assembly, cut sealing leftovers.

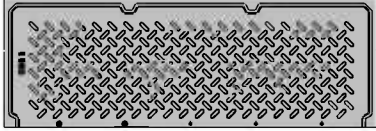
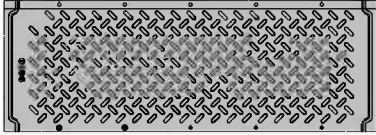
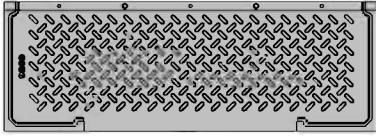

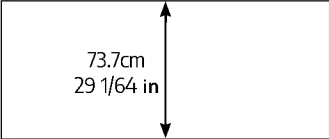

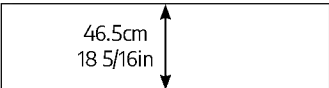
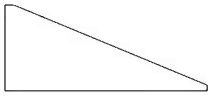

Contents

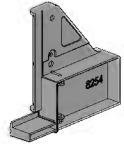
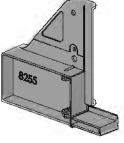
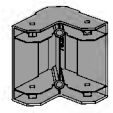
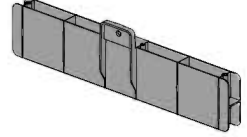





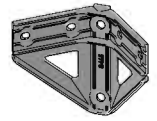
Item		Qty.
9832		2
8268		2
8269		4
8271		2
9823		1
9737		4
9736		8
9804		2
8258		6
7977		2
9812		1
9813		1



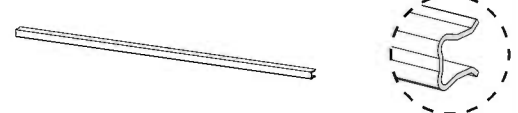
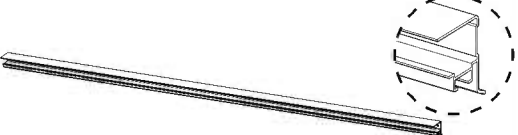

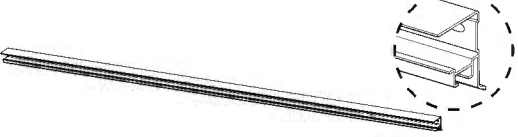
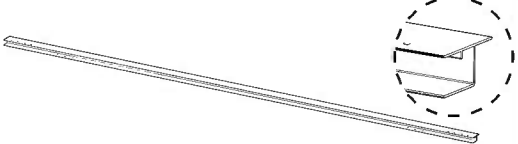
Item		Qty.
8263		1
8264		1
8265		1
8266		1
8259		4
8443		1
9816		1
9824		2

Item		Qty.
9227		8
9922		4
9808		2
7356		4
8480		1
7869		1
9707		2

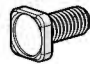
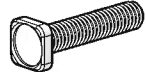
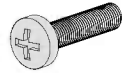




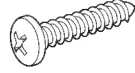


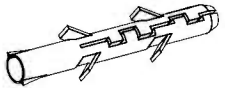
Contents


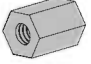



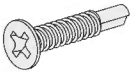

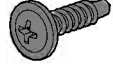
Item		Qty.
9811		1
9810		2
9809		1
8278		8
9700		11
9826		2
9827		2
9828		2
9829		2

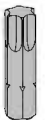
Item		Qty.
8254		1
8255		1
7602		4
8447		5
7981		2
7980		2
7979		2
8468		1
8466		1
8465		4

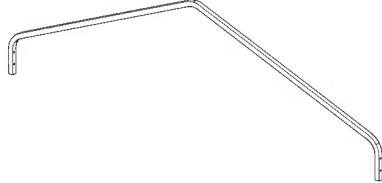
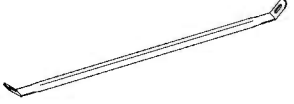
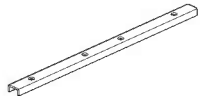
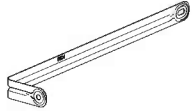
Item		Qty.
7726		2
9932		2
9822		8
9814		1
9815		1
7972		2
7725		2

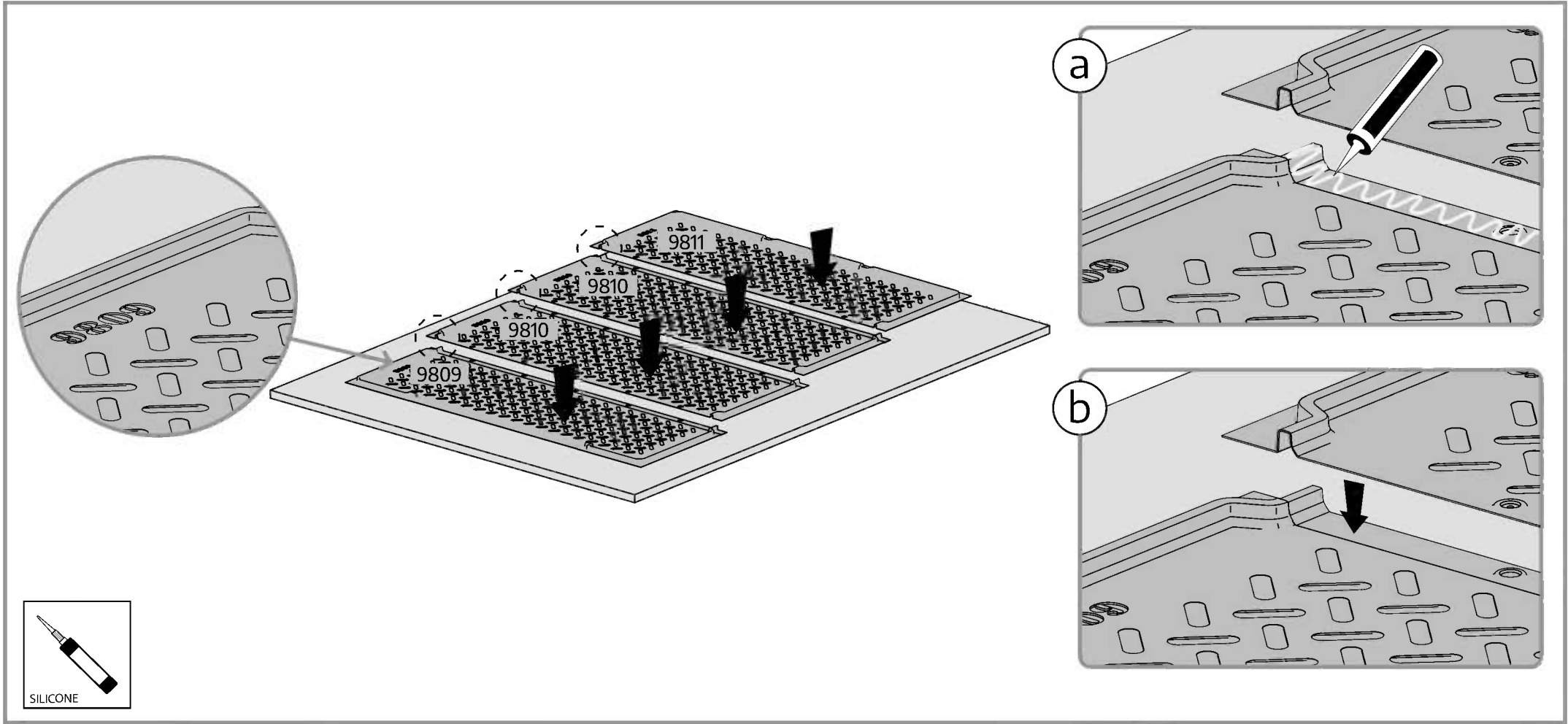
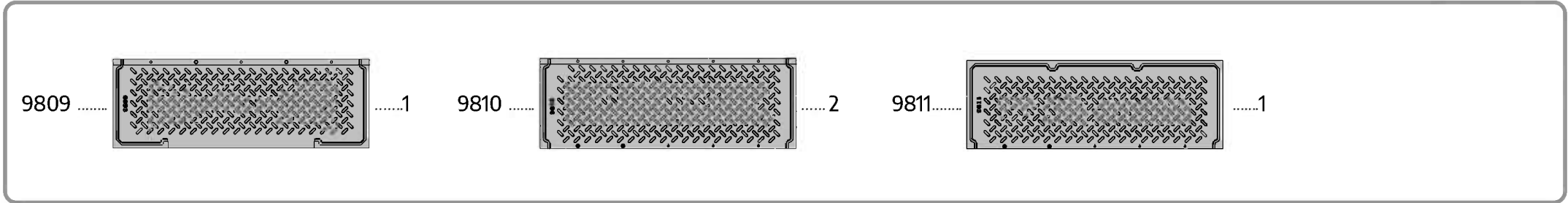
Contents

Item		Qty.
8192		94 (+9)
7284		12 (+1)
7682		3
421		10 (+1)
7441		15 (+1)
7442		88 (+8)
7444		26 (+1)
8422		10
4009		15 (+1)
9819		14 (+1)
4010		14 (+1)

Item		Qty.
466		103 (+13)
8050		3
422		10 (+1)
7175		10 (+1)
7524		8 (+1)
9708		6
4008 Silver		6
4008 Black		8

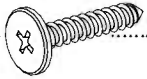
TORX T40	
-------------	-------------------------------------------------------------------------------------

Item		Qty.
9825		3
9735		2
7985		6
8104		2

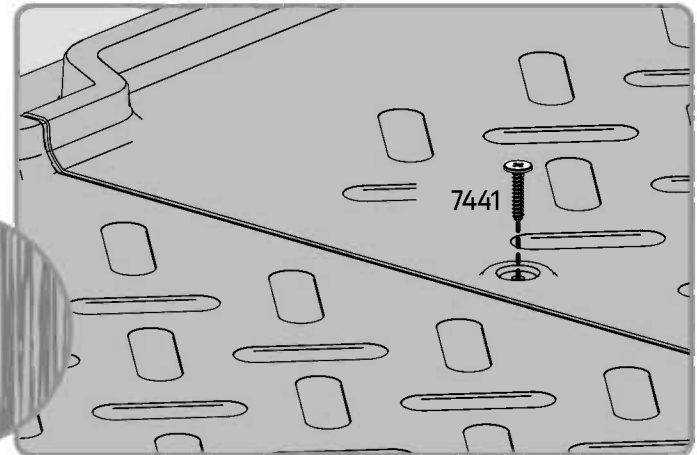
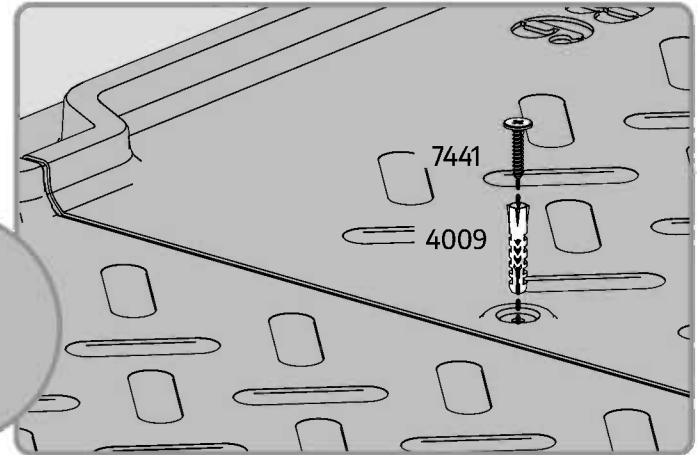
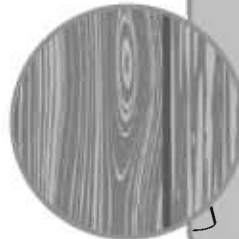
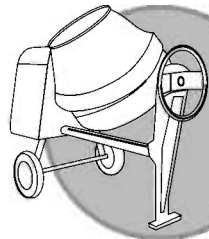
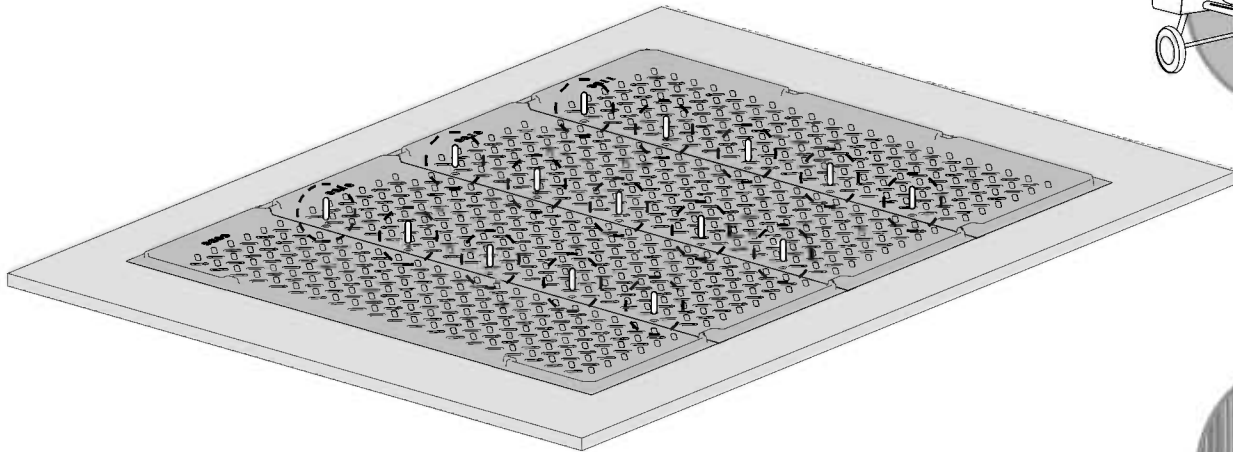
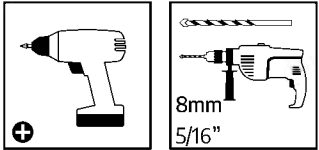


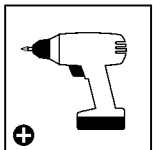
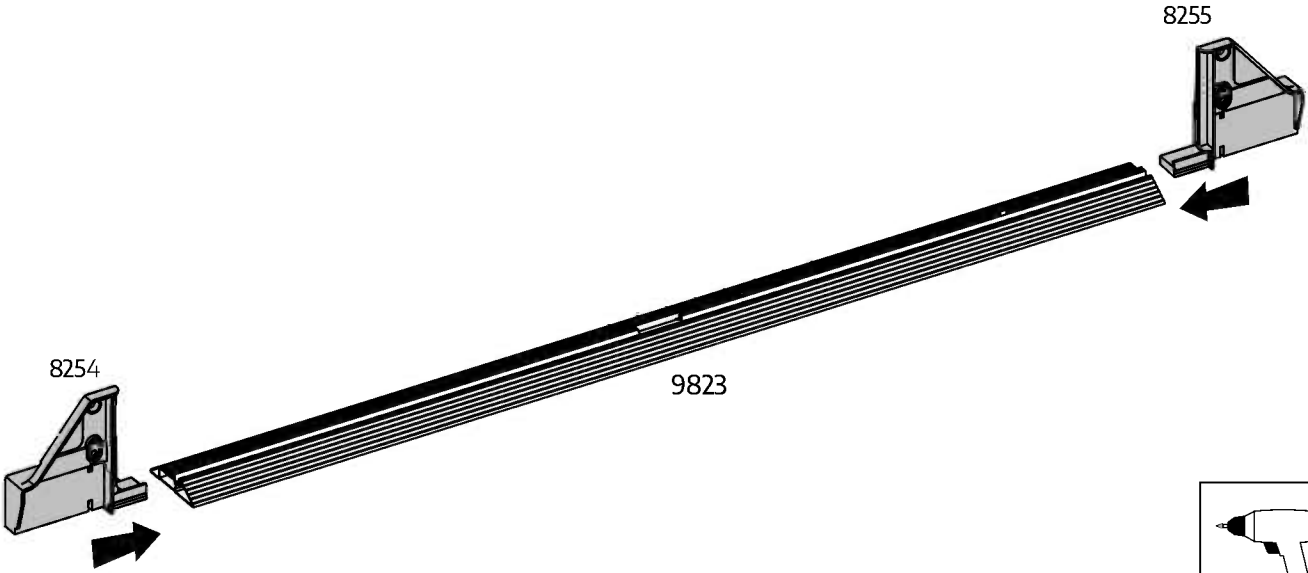
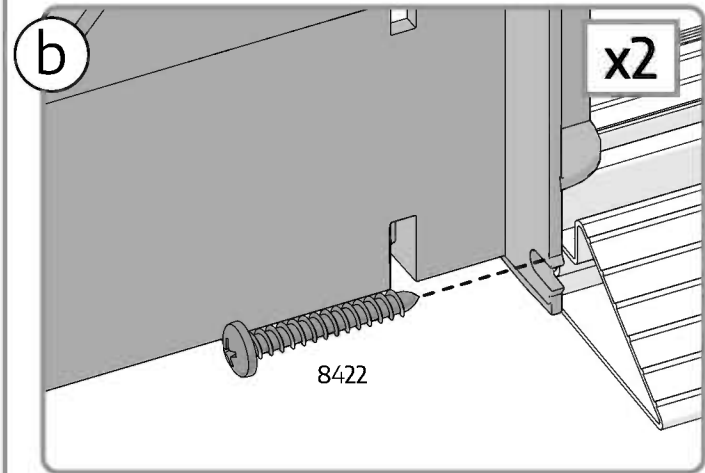
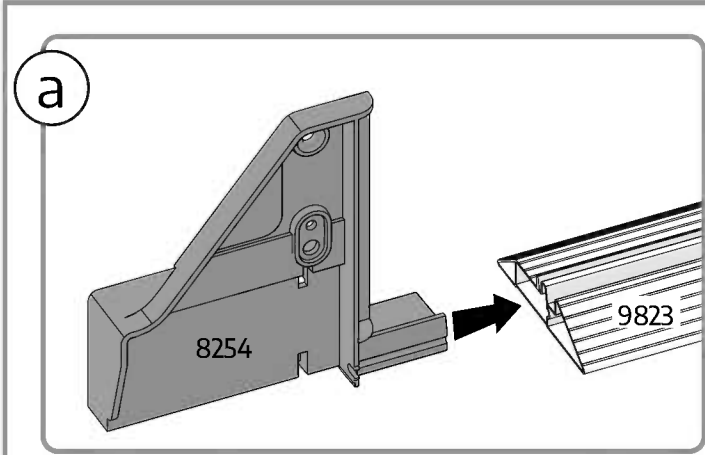
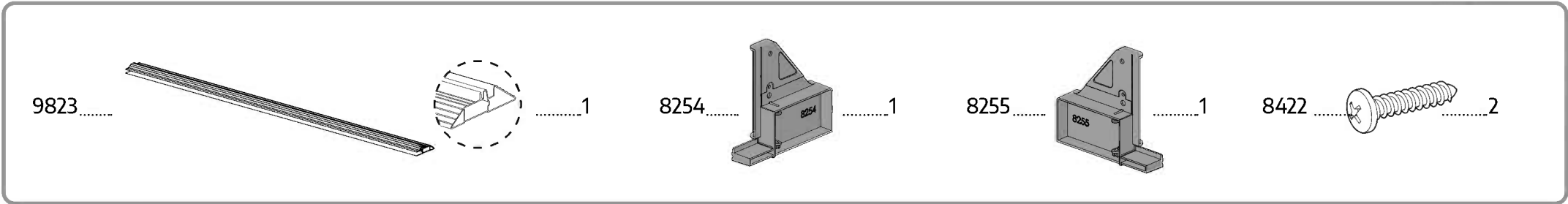
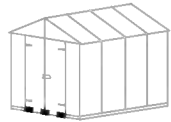


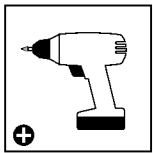
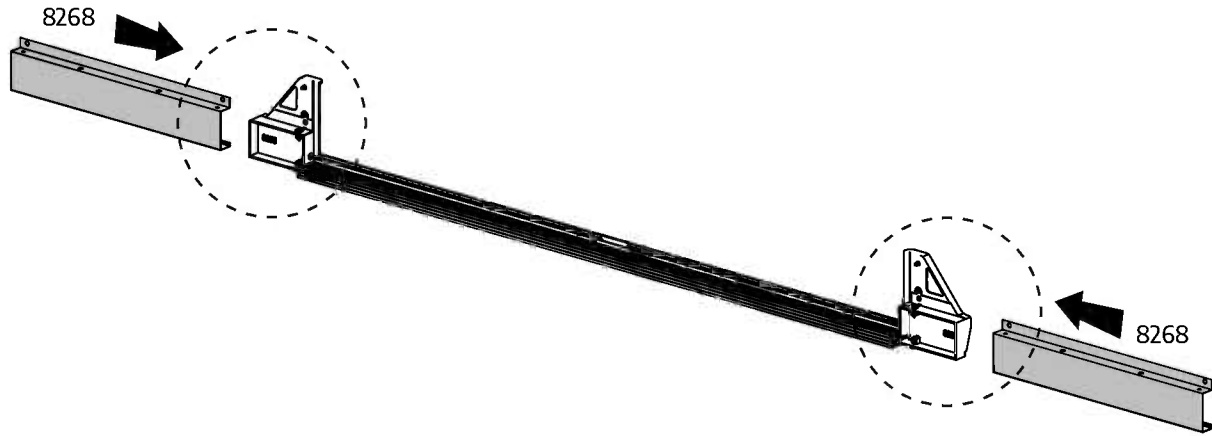
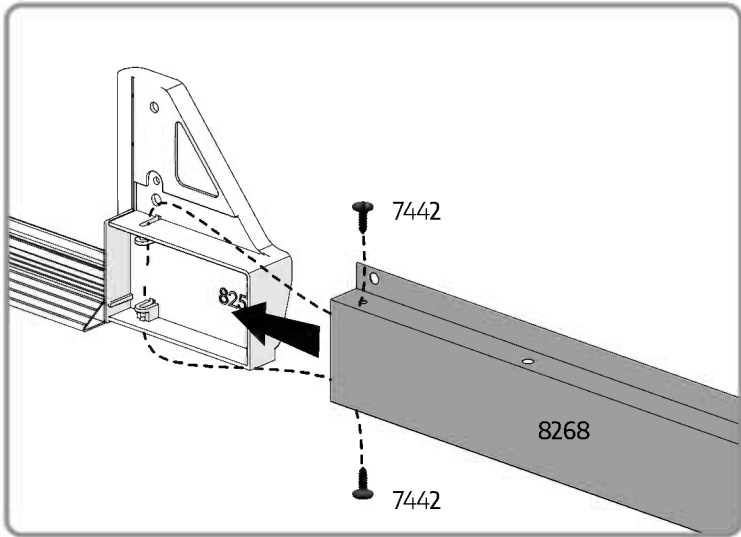
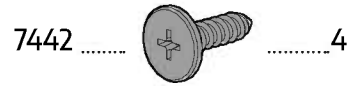
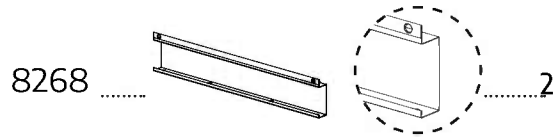
7441 15



4009 15









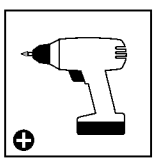
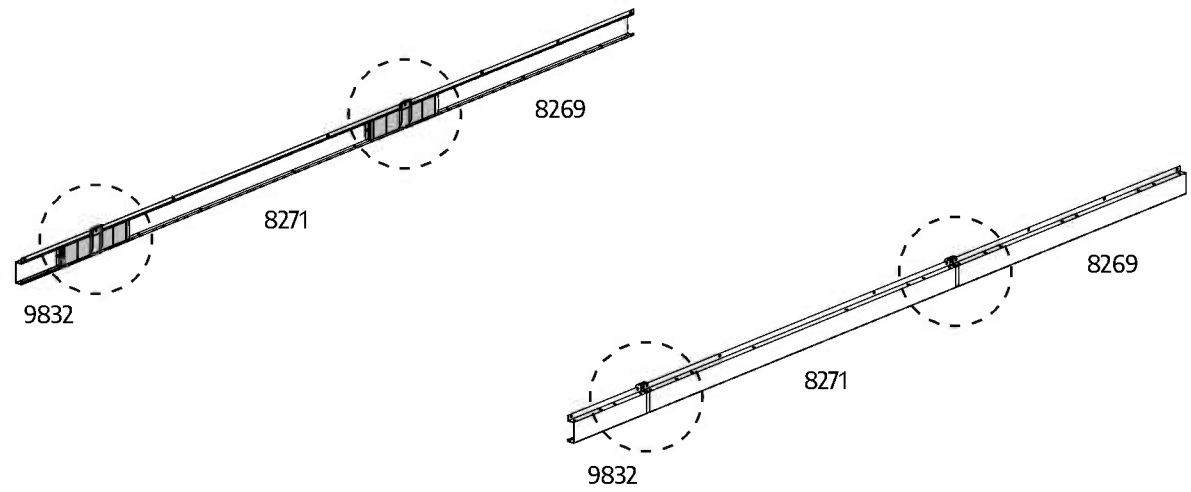
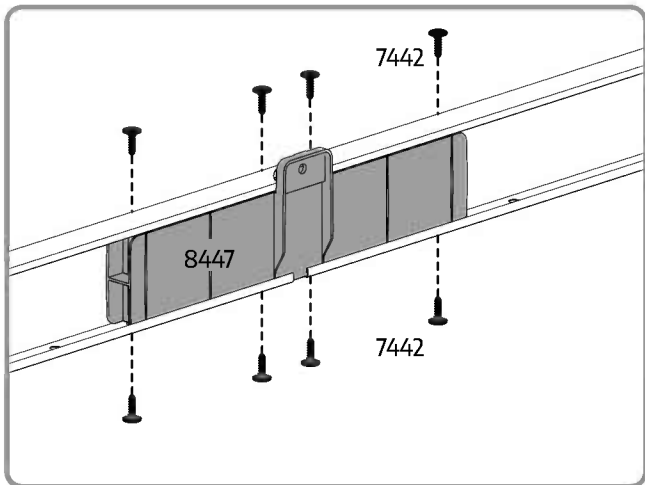
8271 2

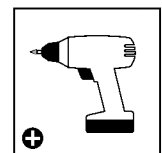
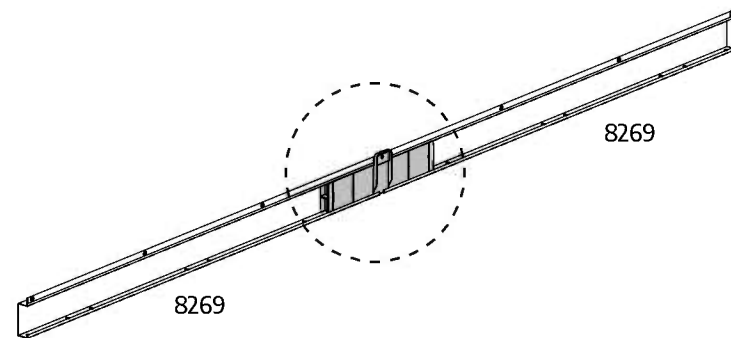
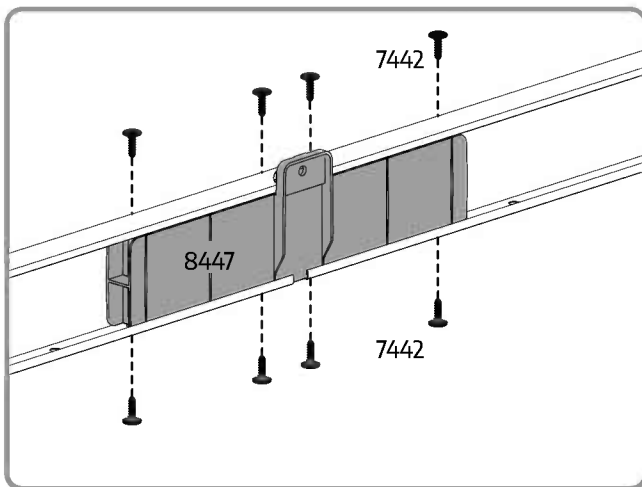
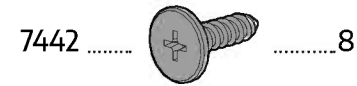
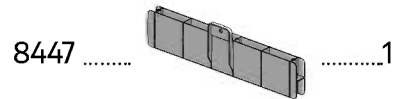
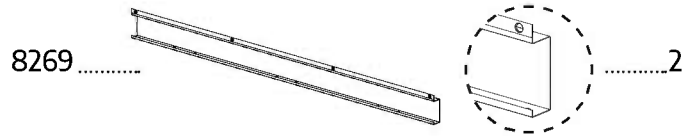
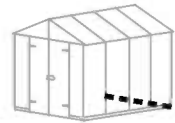
8269 2

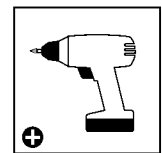
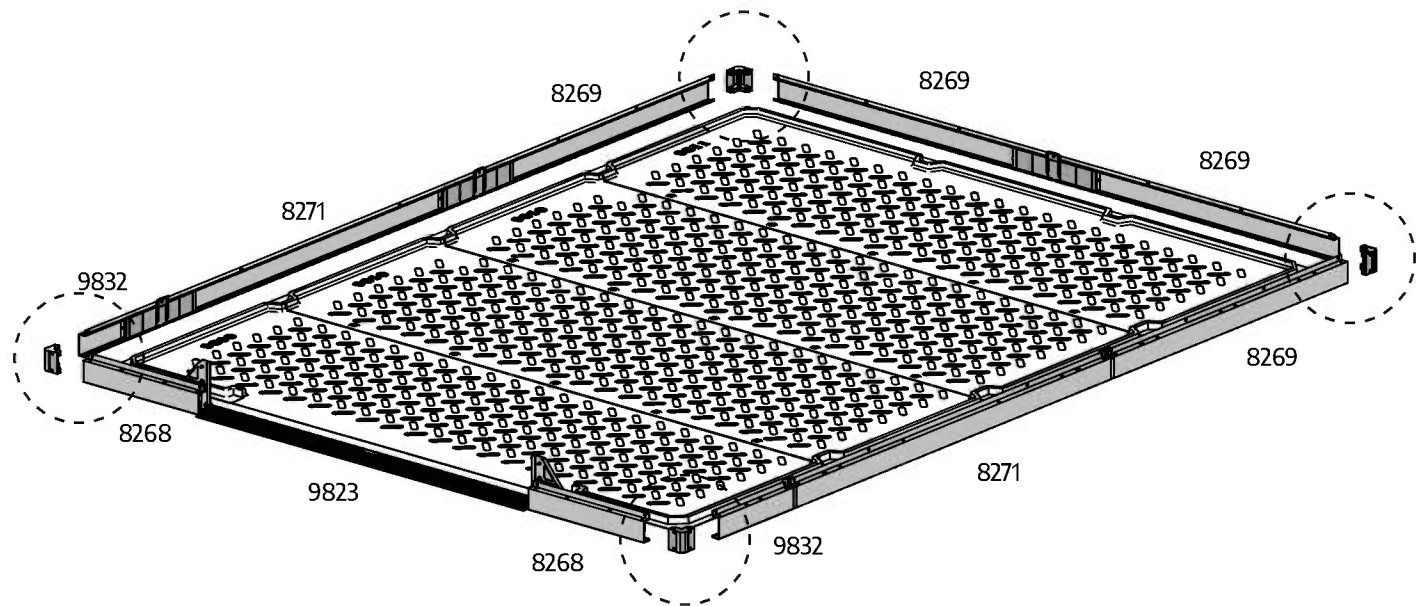
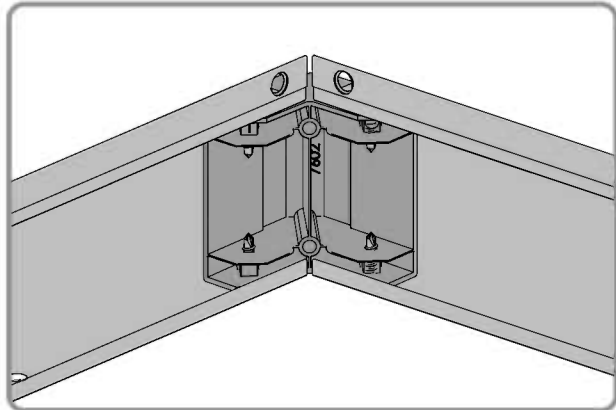
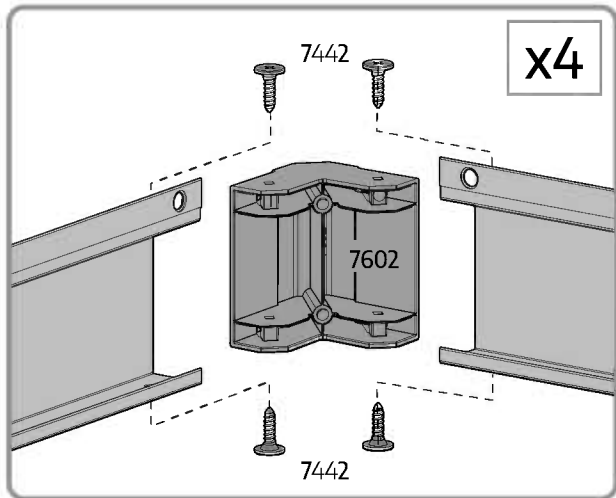
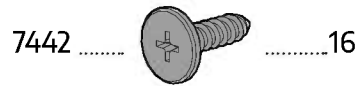
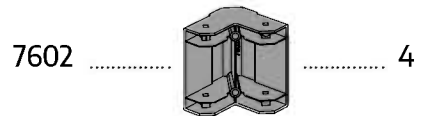
9832 2

8447 4

7442 32

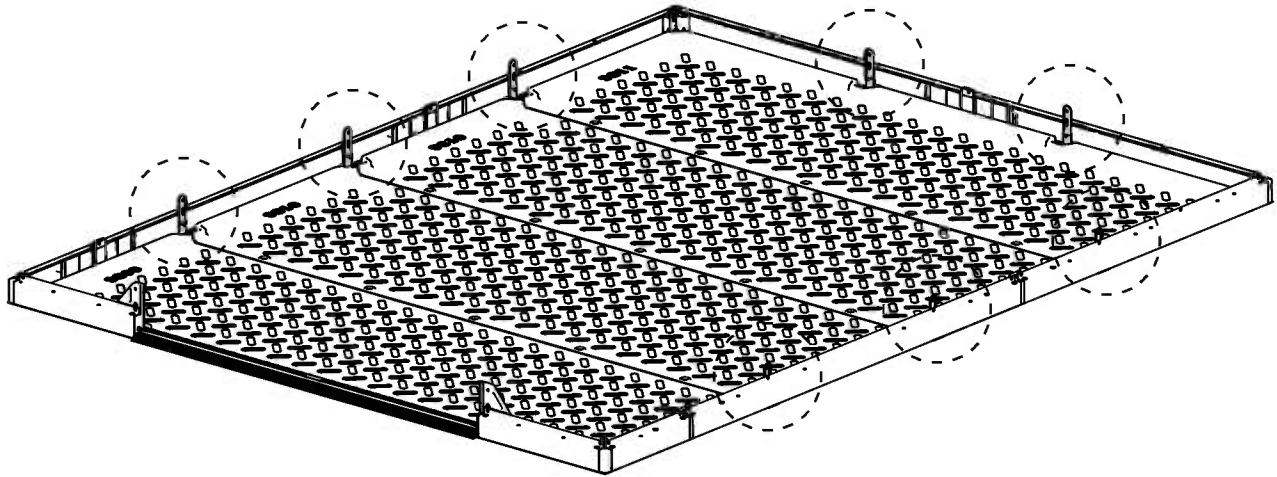
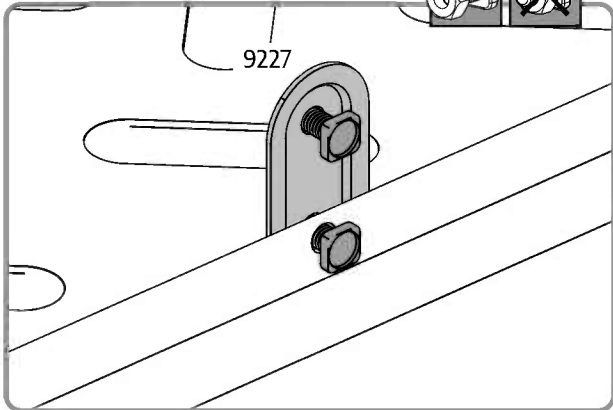
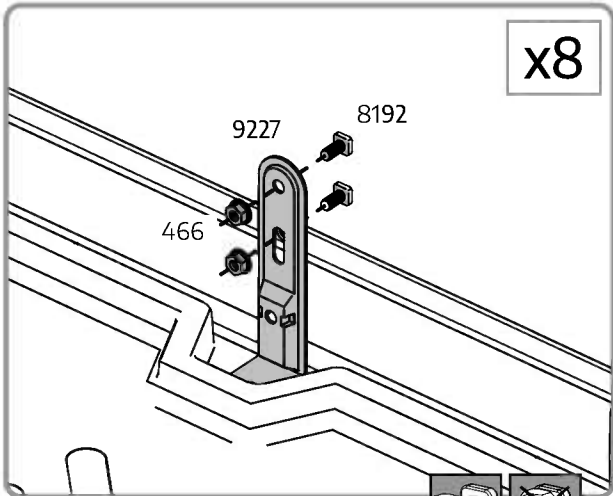






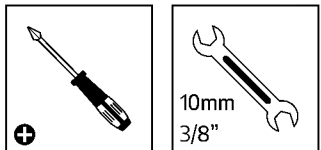
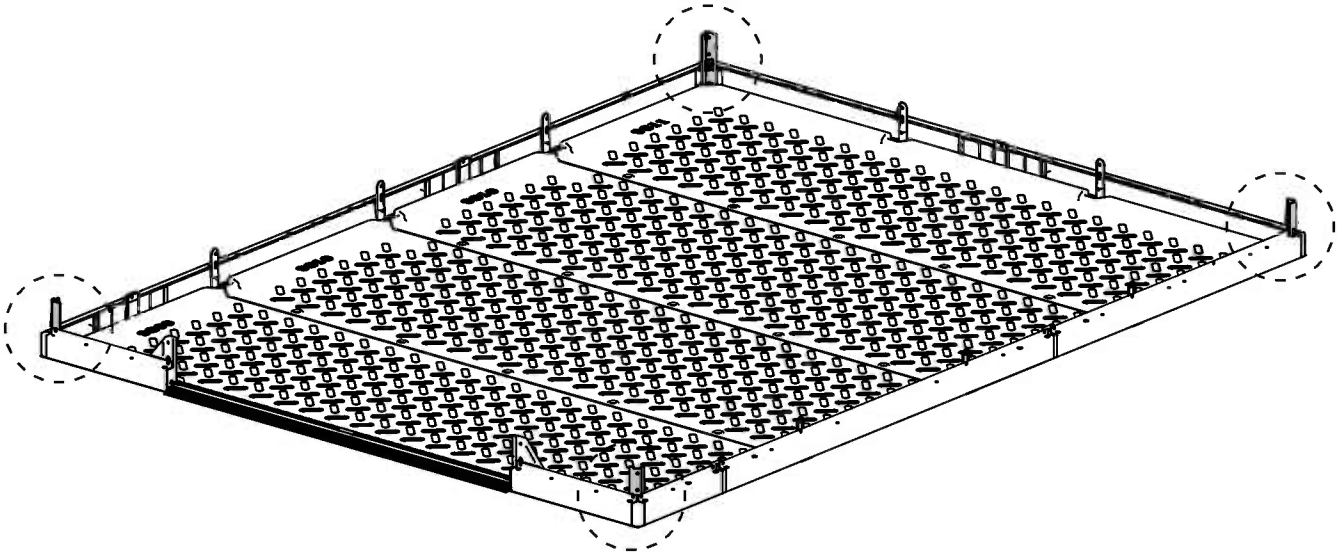
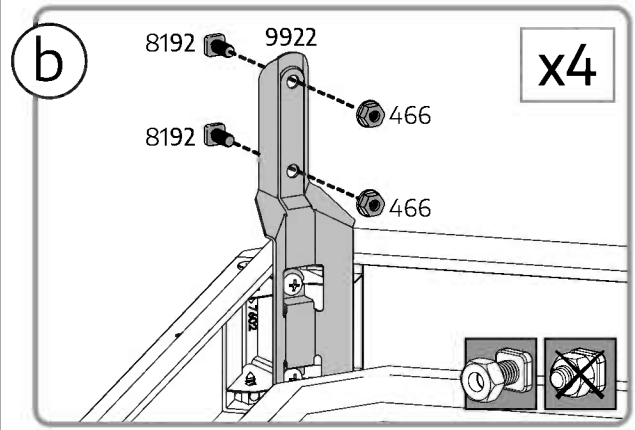
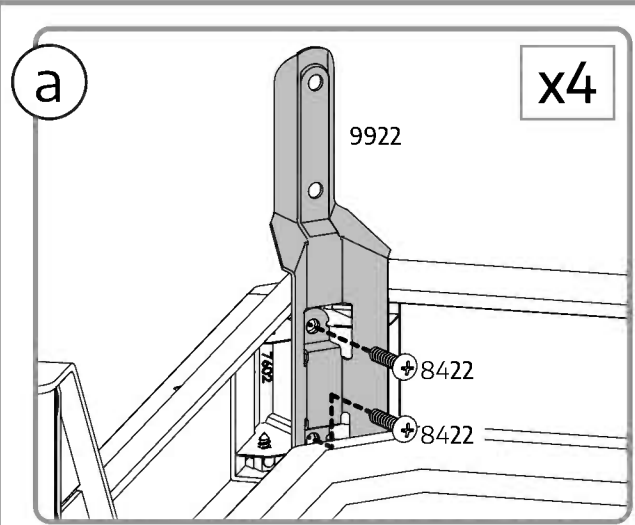


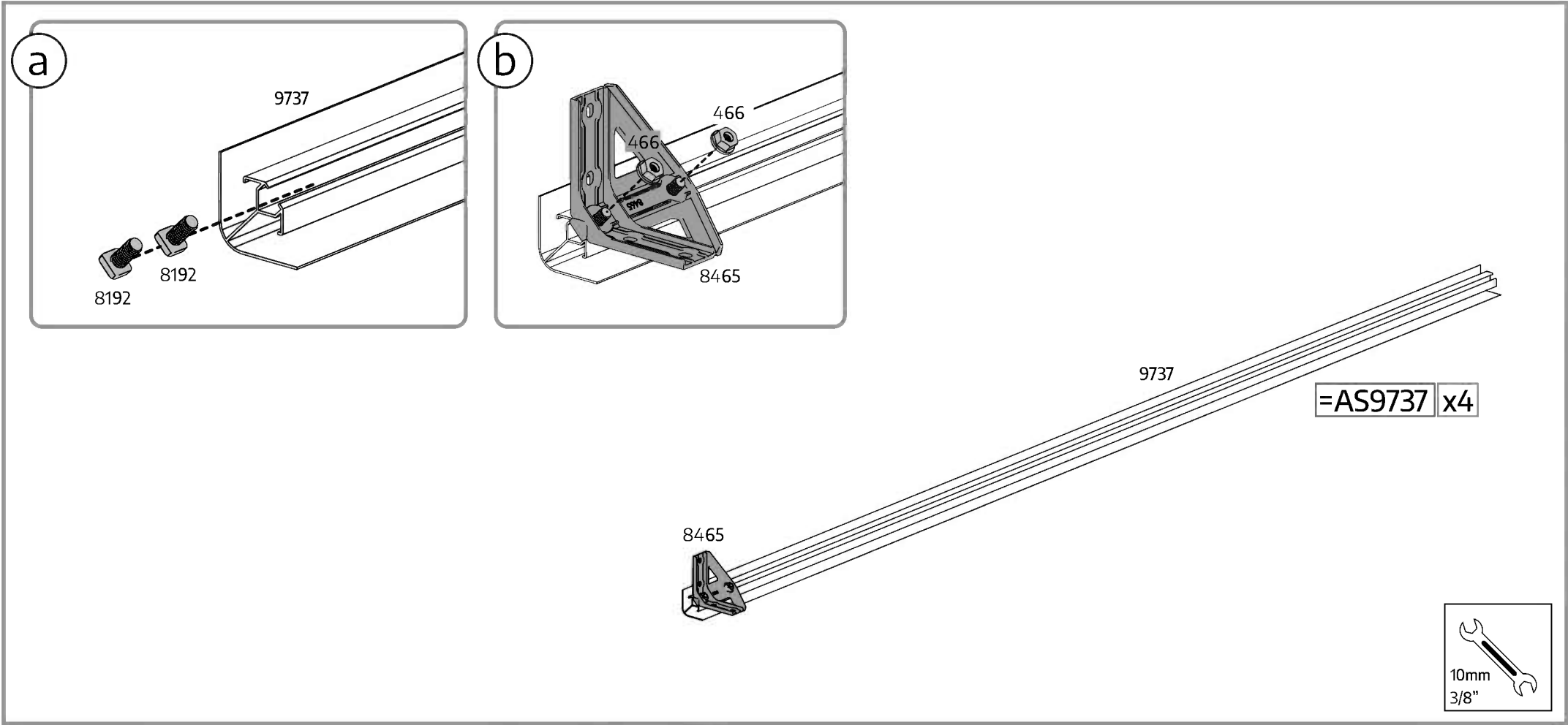
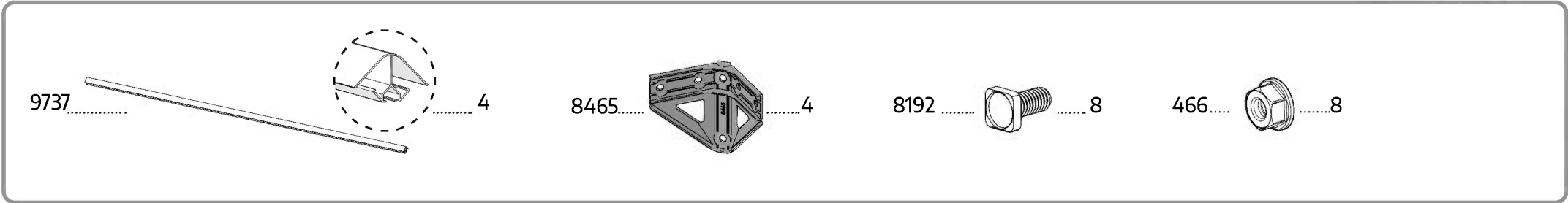
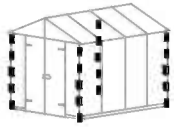
- 9227 8 8192 16 466 16
-

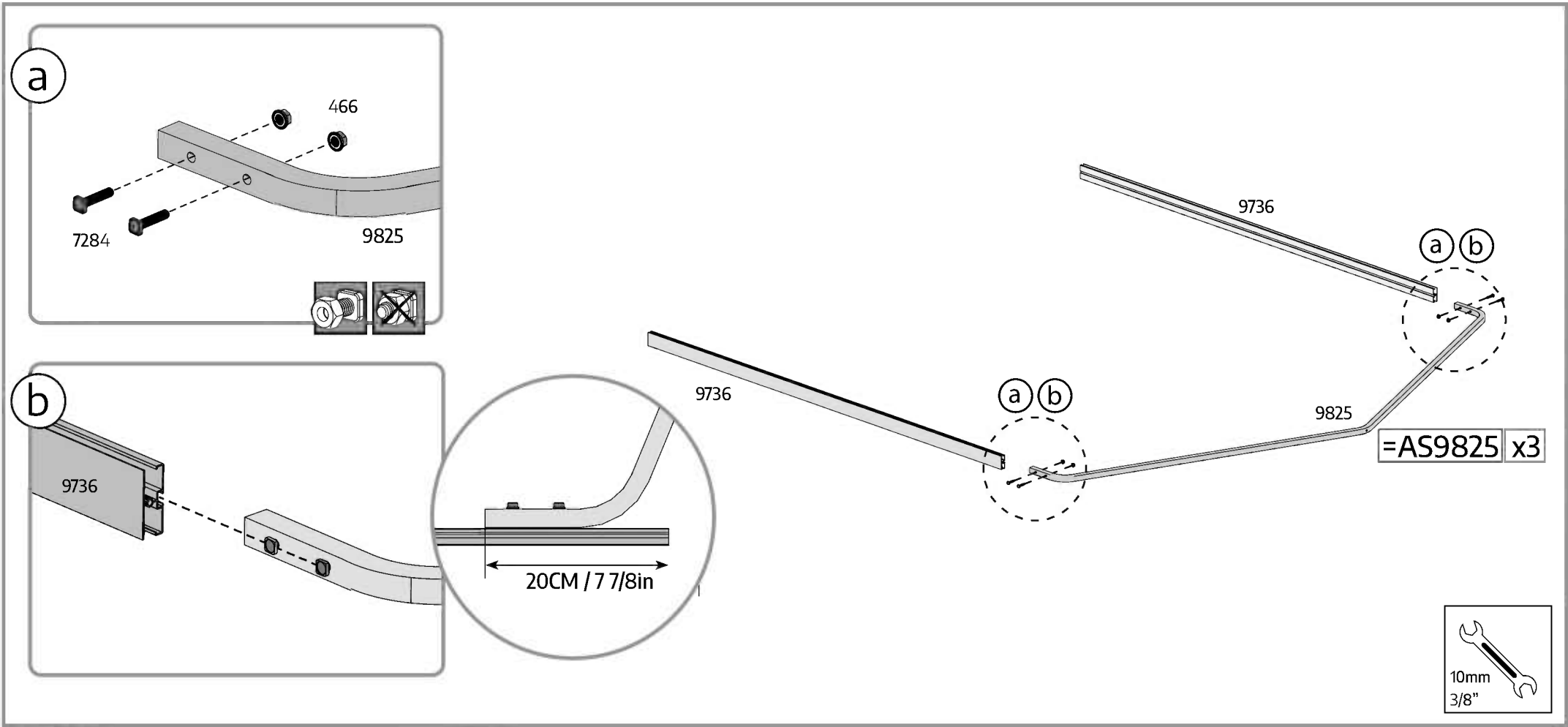
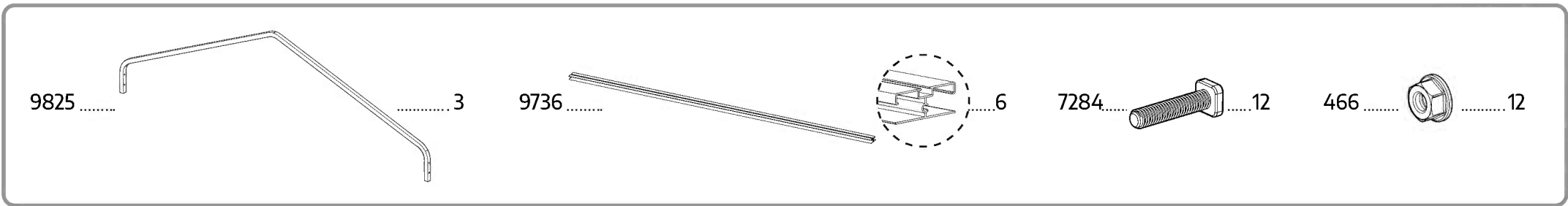


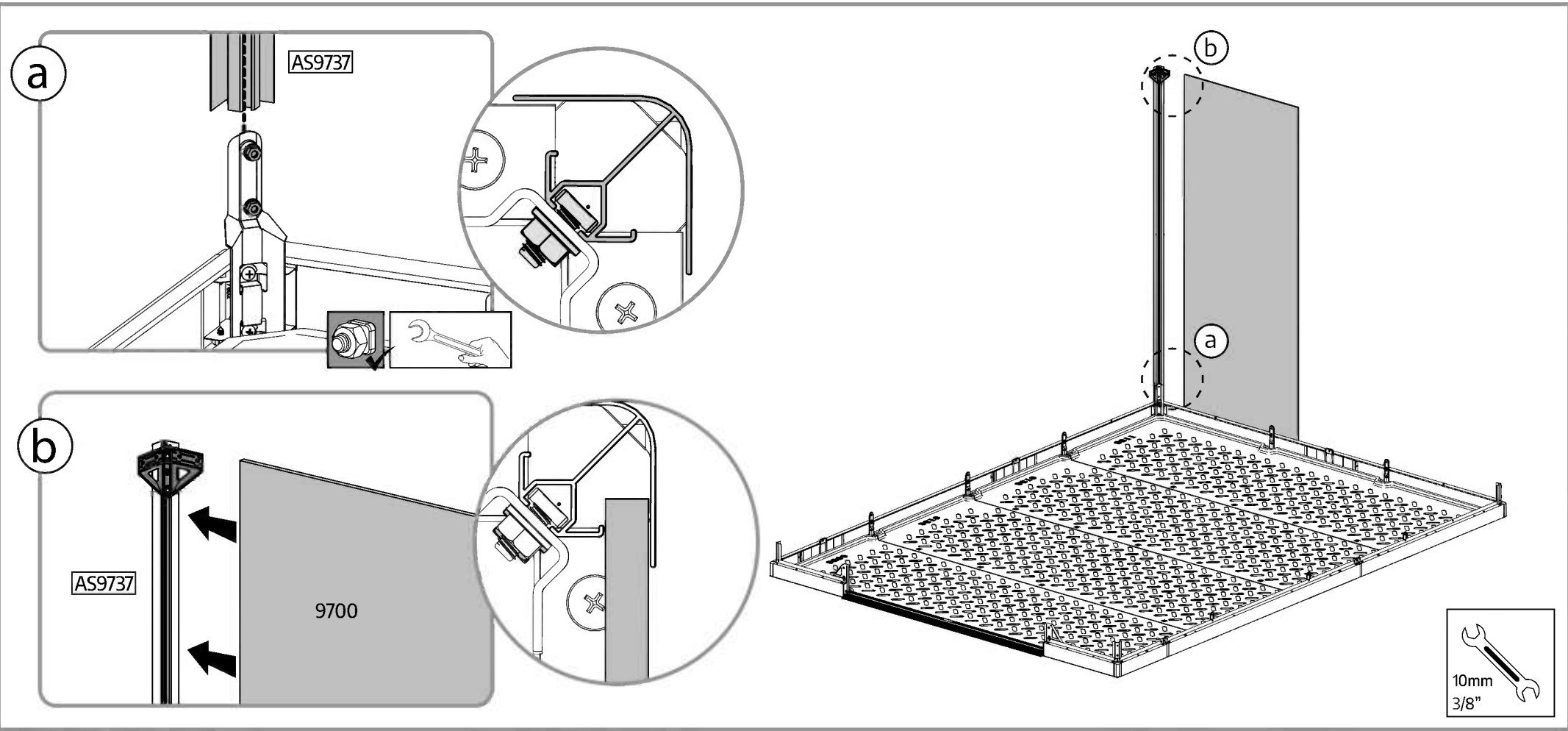
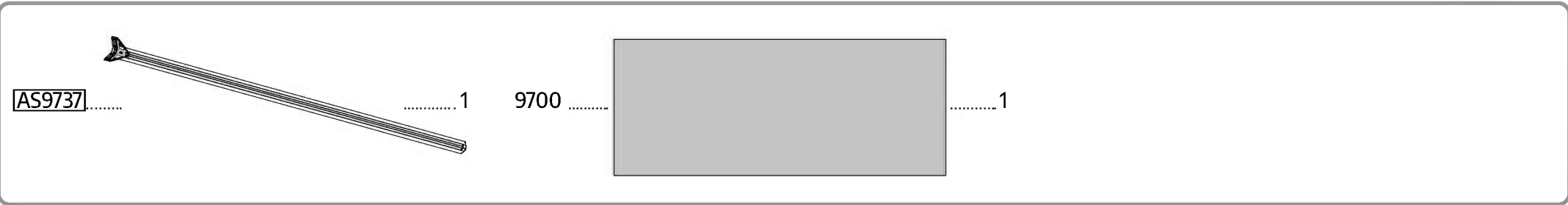
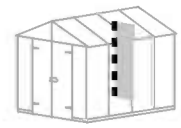


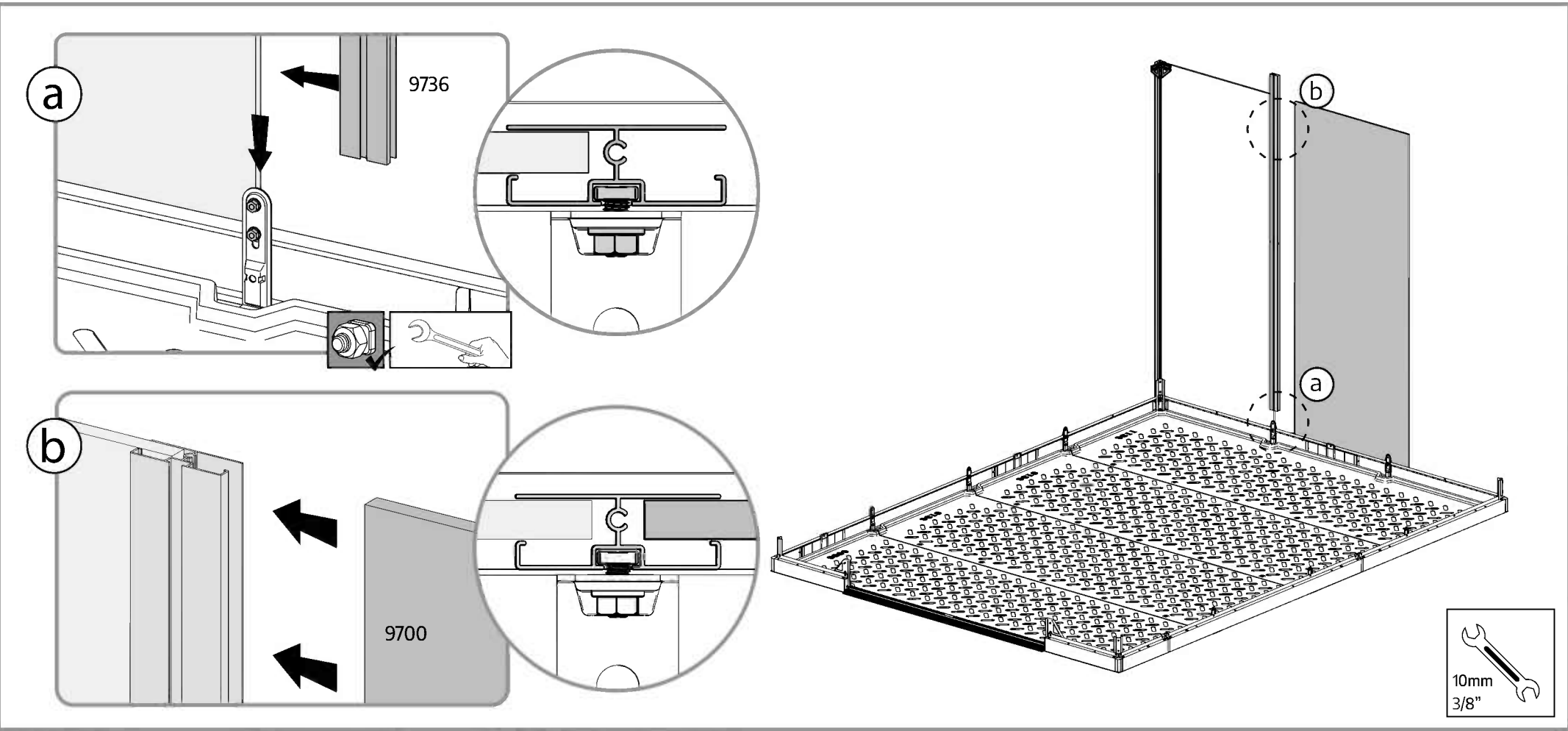
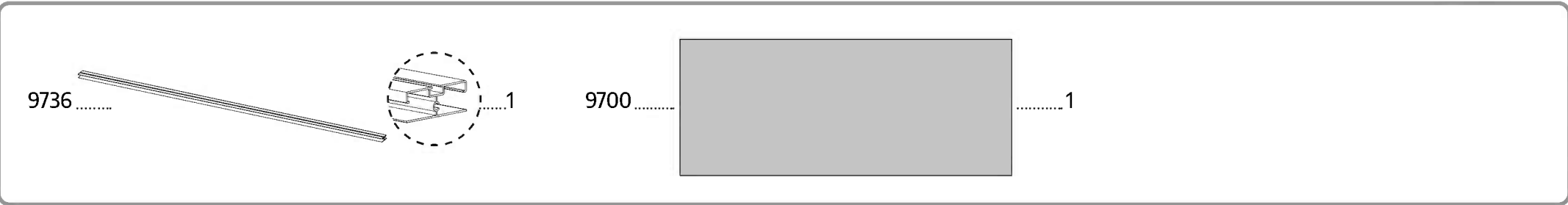
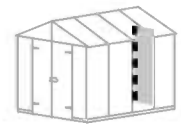
9922 4 8422 8 8192 8 466 8

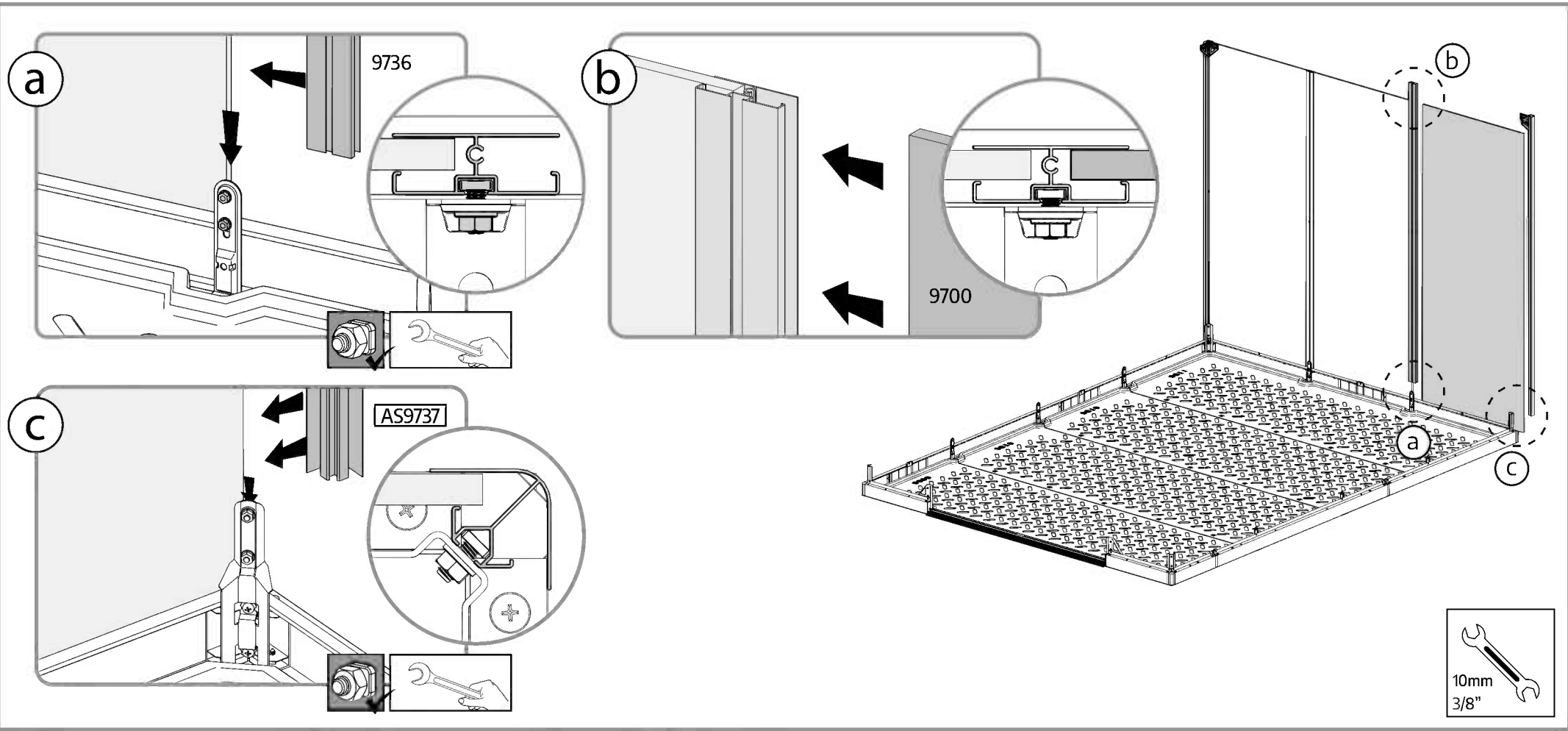
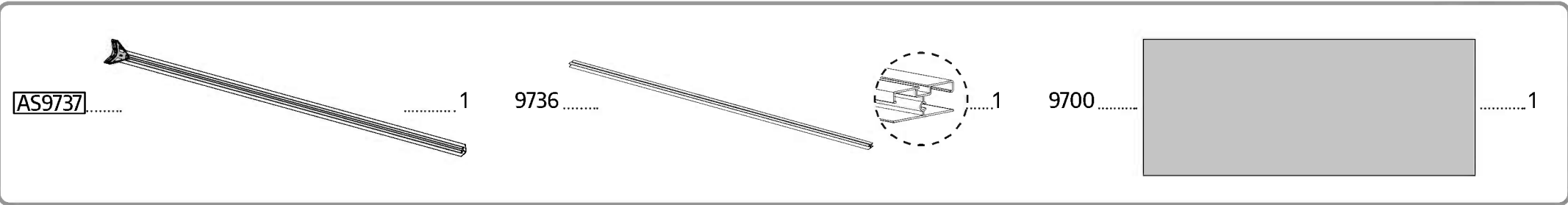
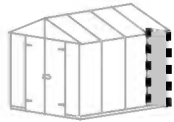


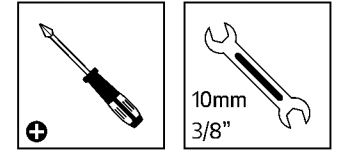
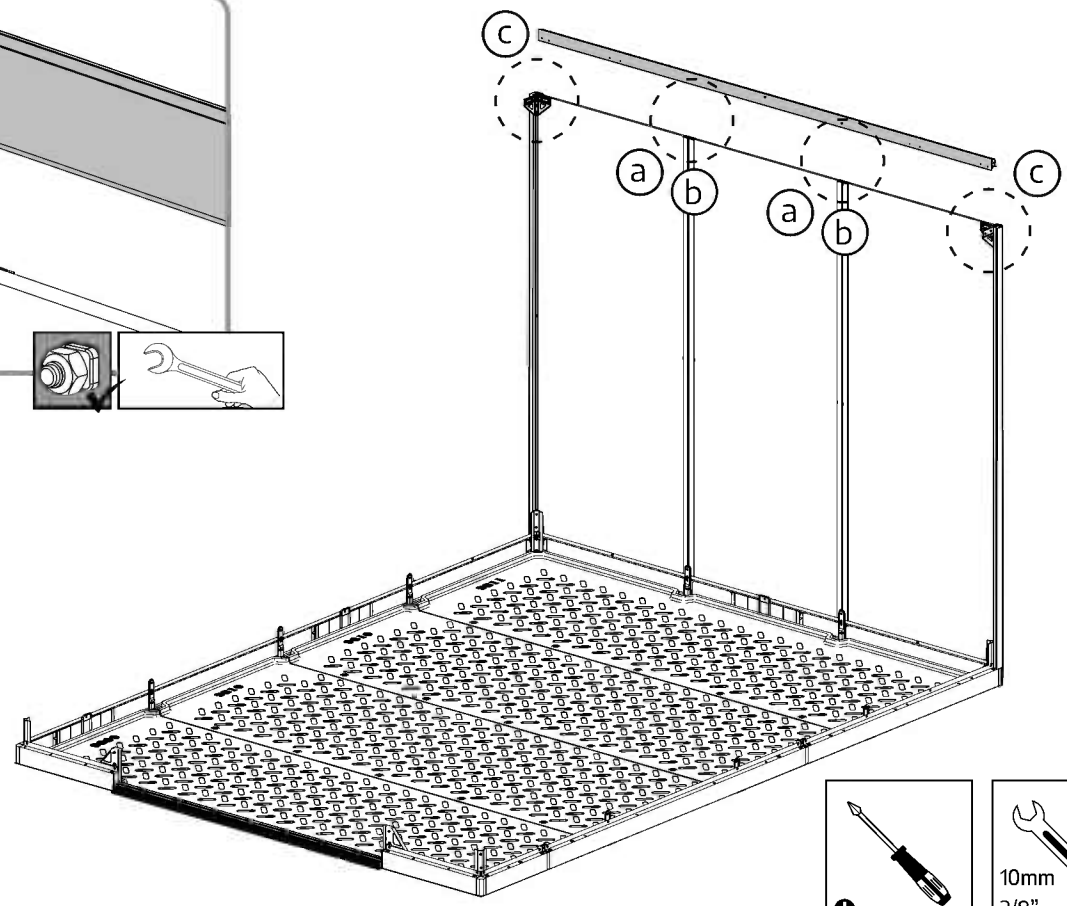
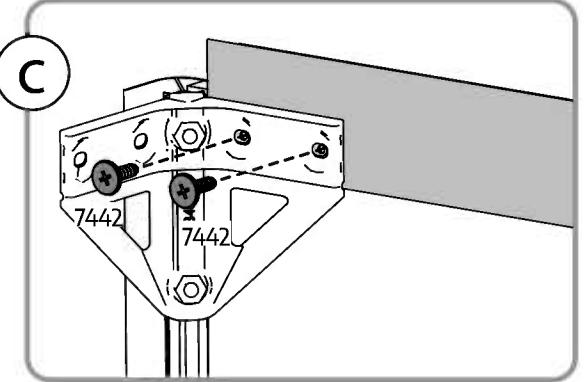
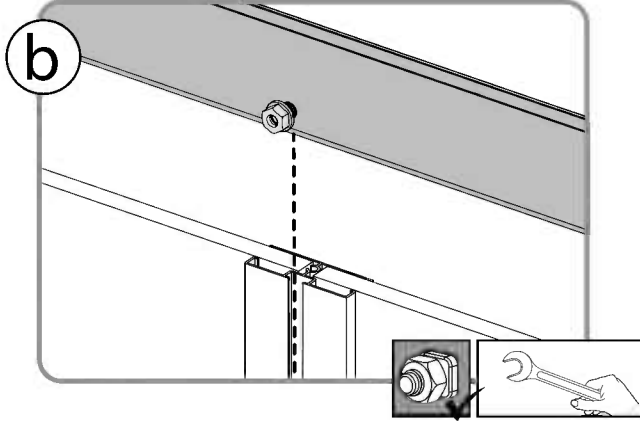
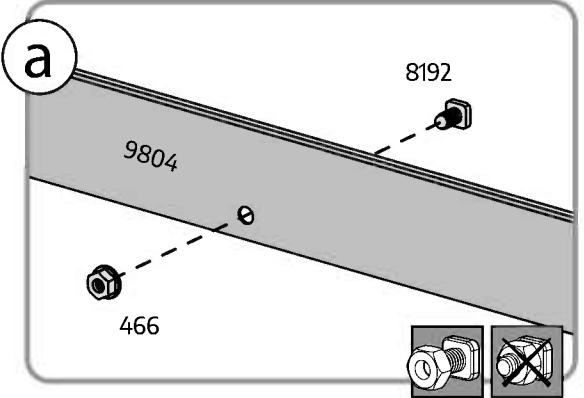
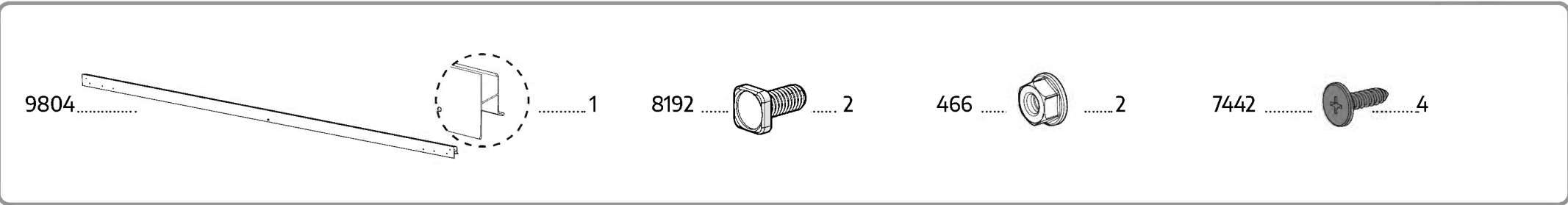


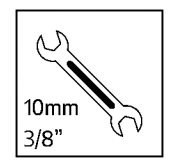
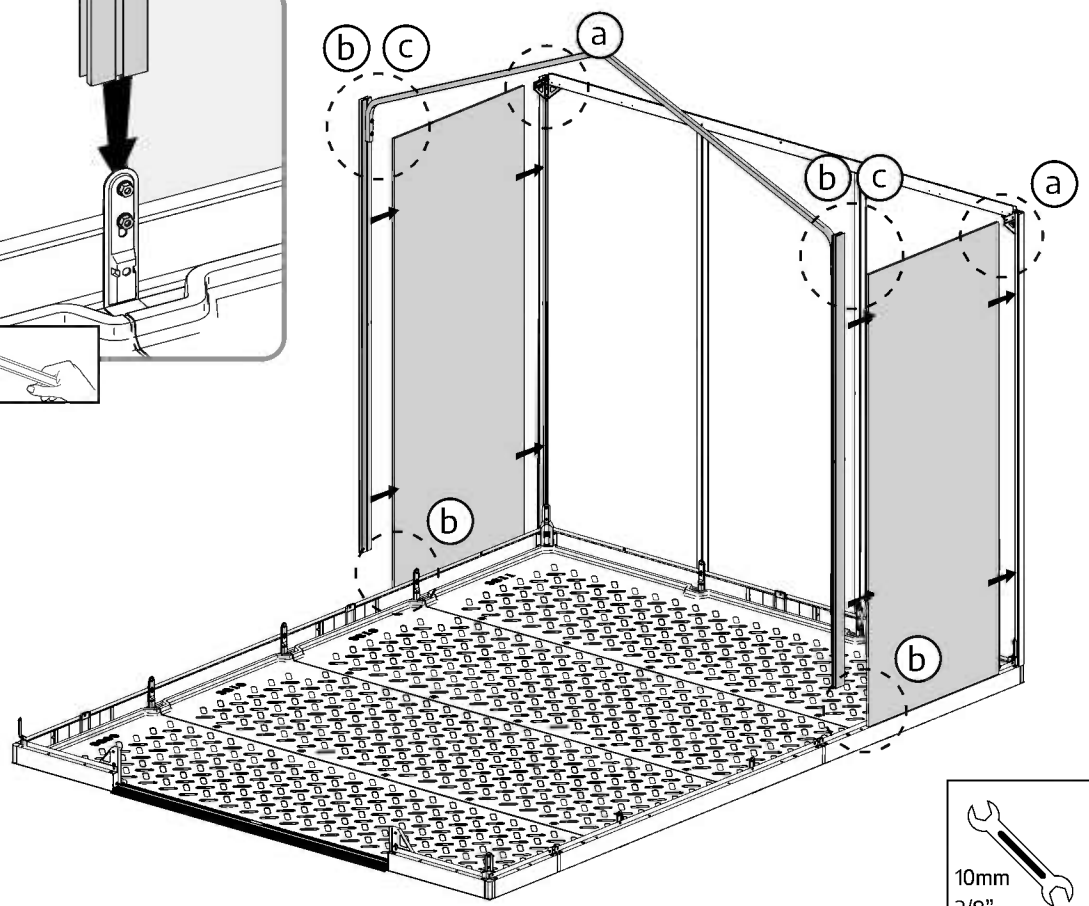
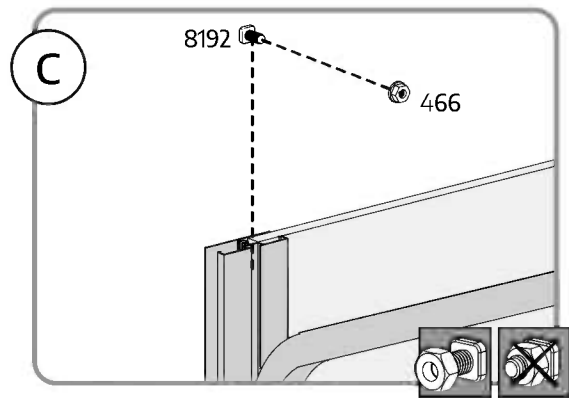
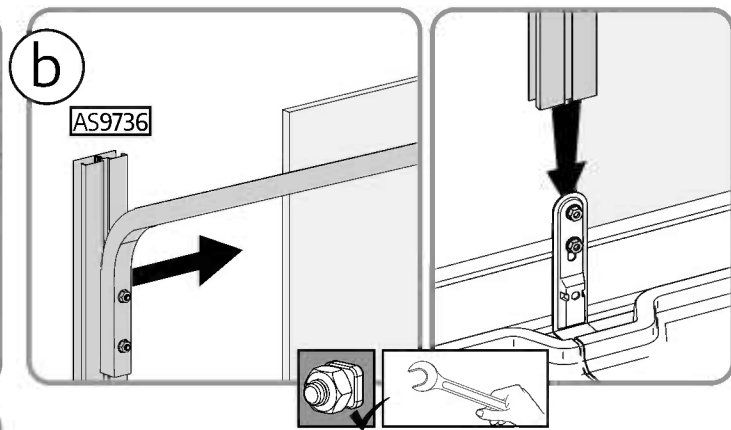
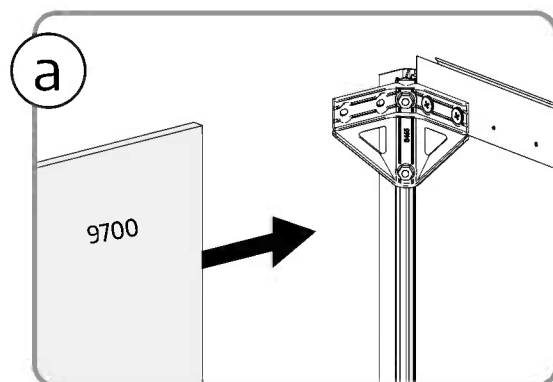
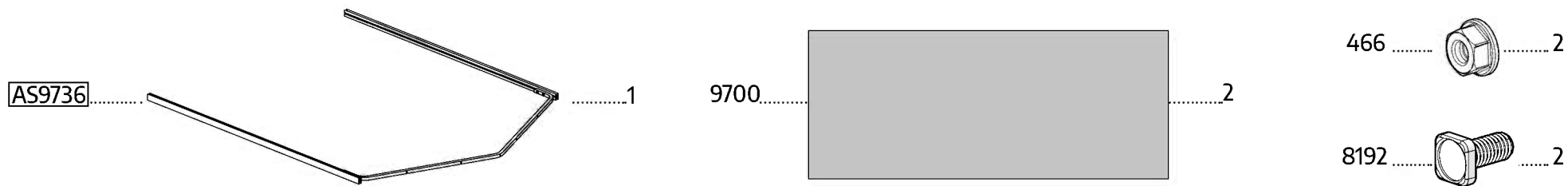


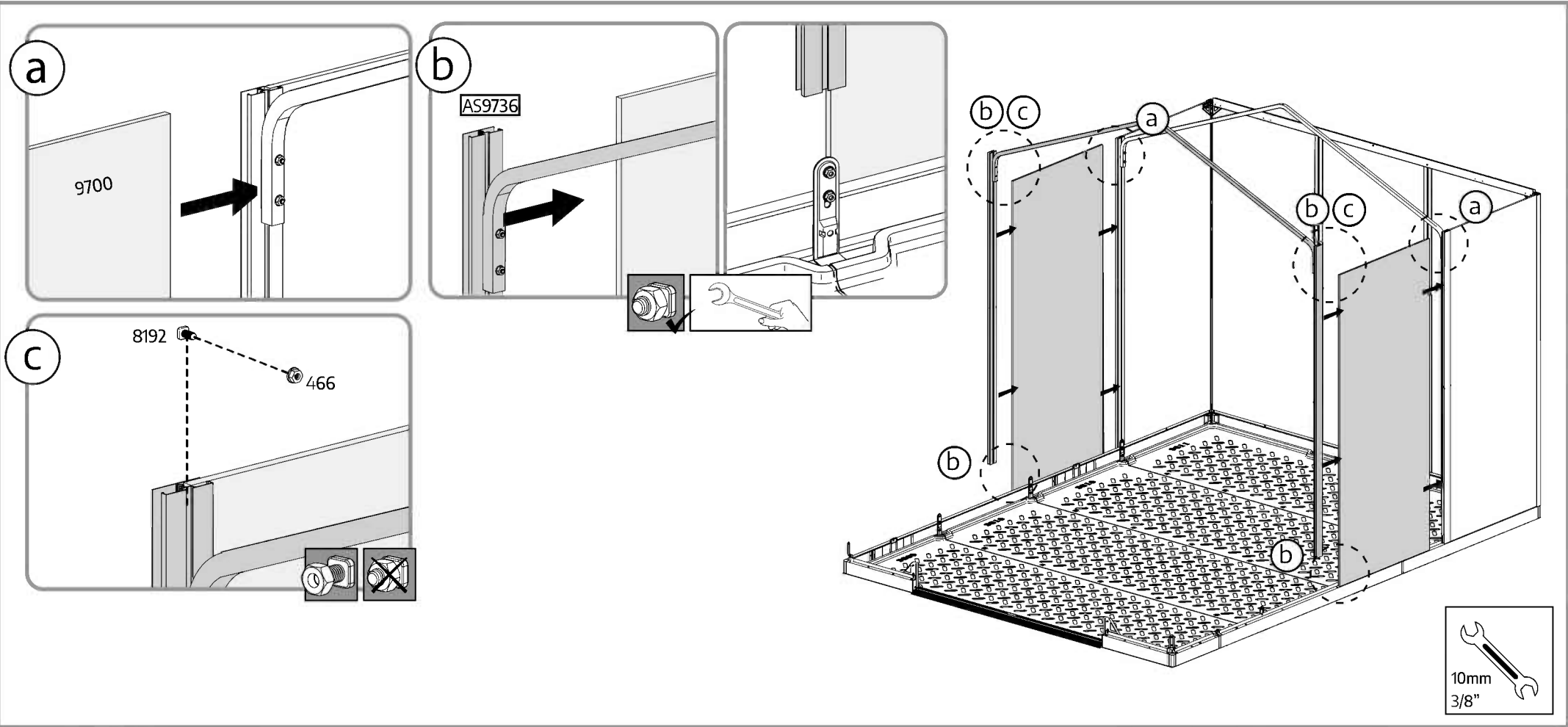
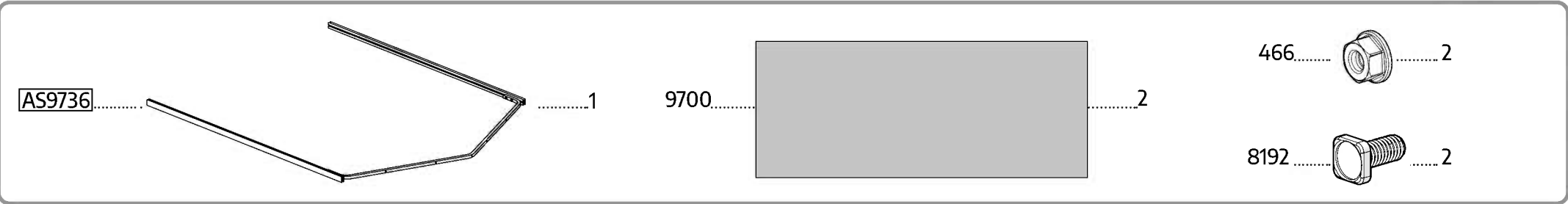
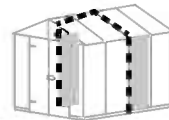


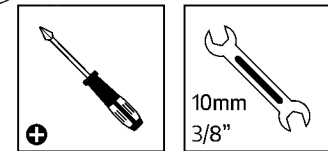
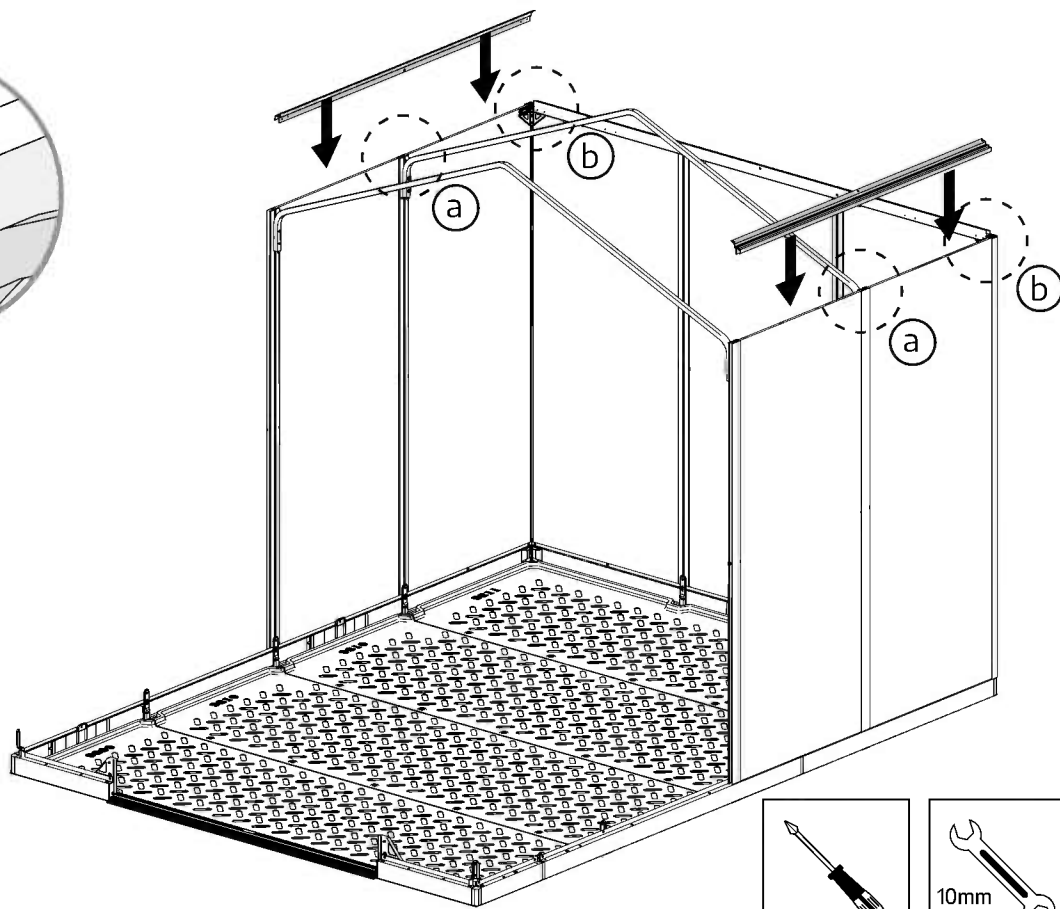
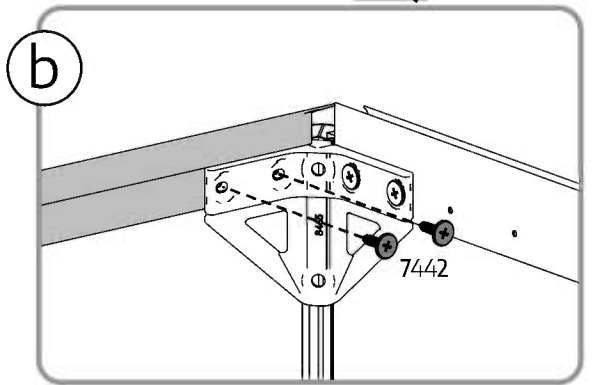
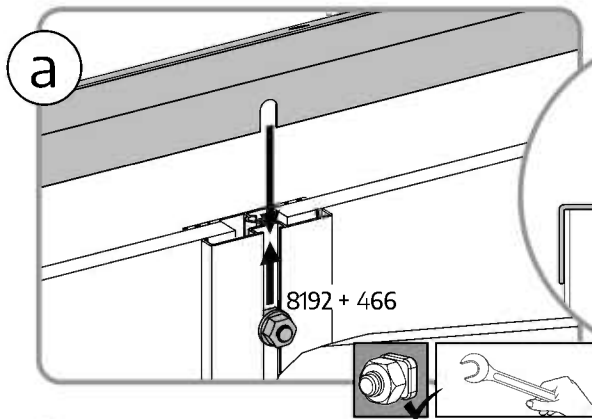
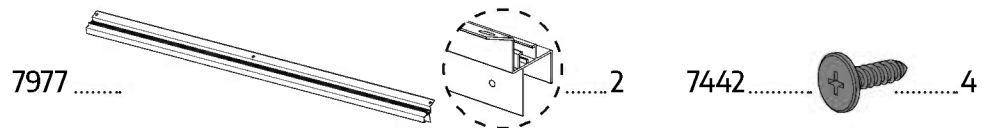






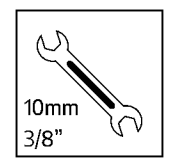
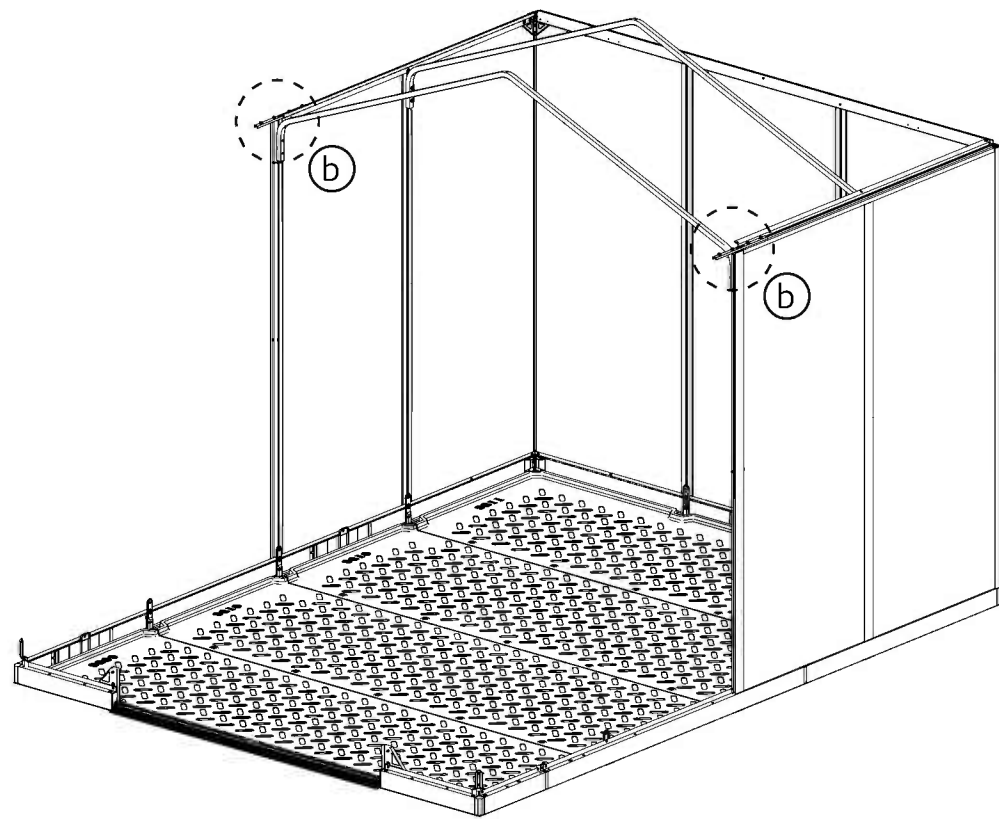
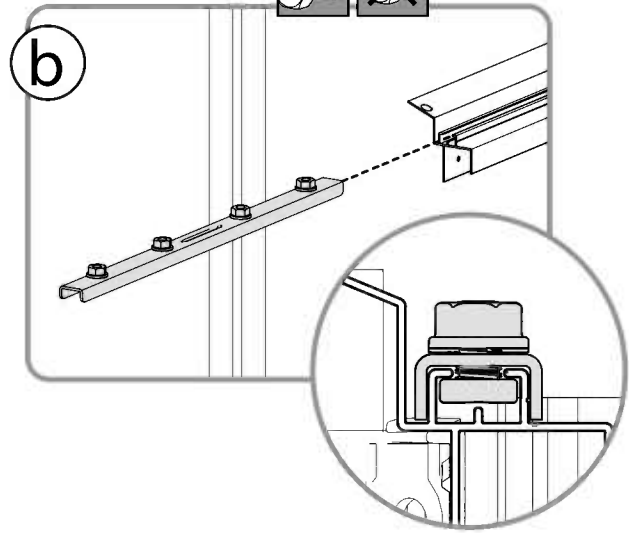
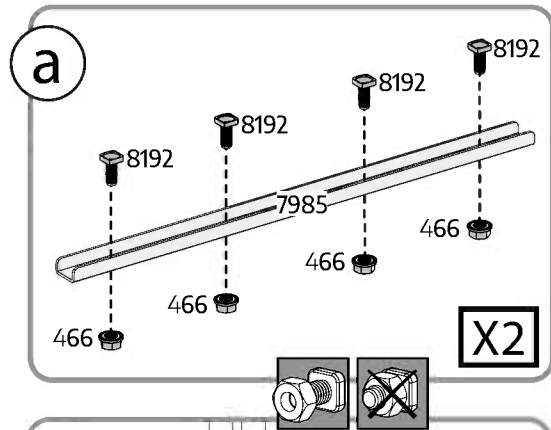


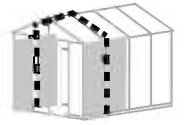






- 7985..... 2
- 466..... 8
- 8192..... 8





AS9736.....1 9700.....4

466.....2

8192.....2

a

9700

b

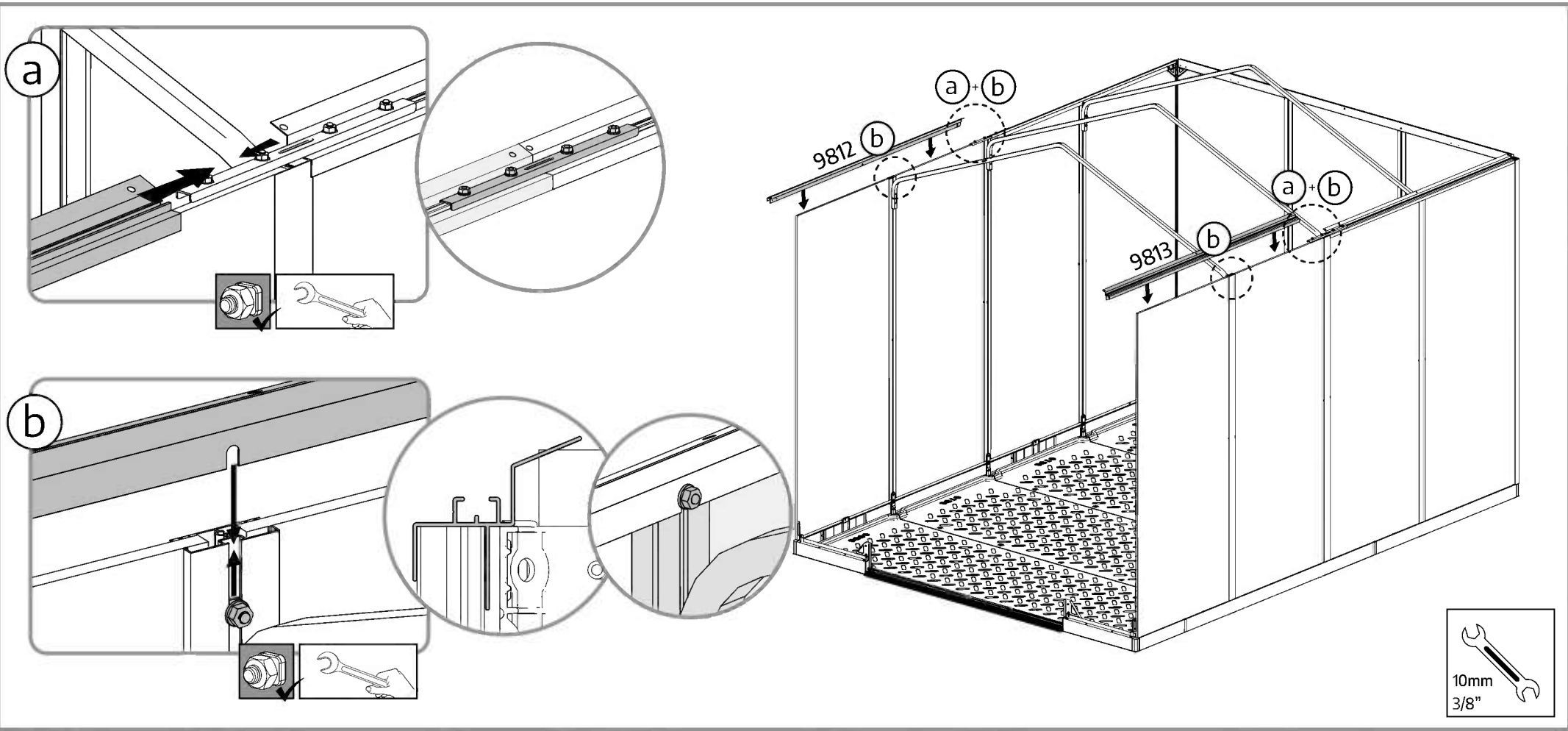
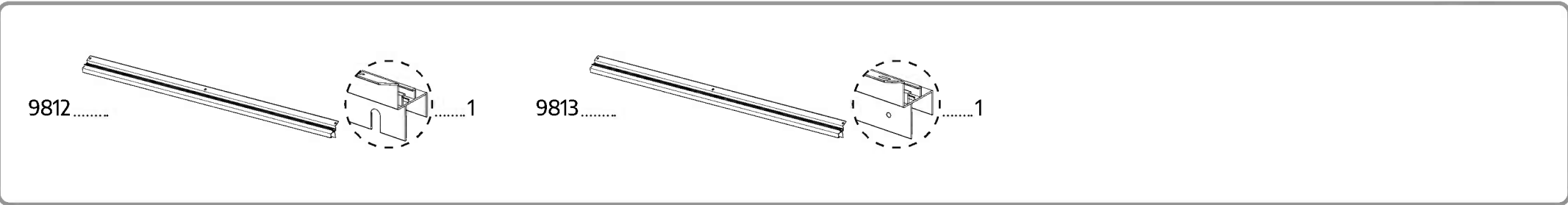
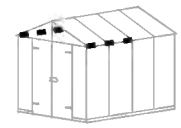
AS9736

c

8192

466

10mm
3/8"



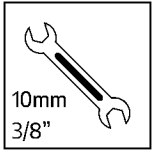
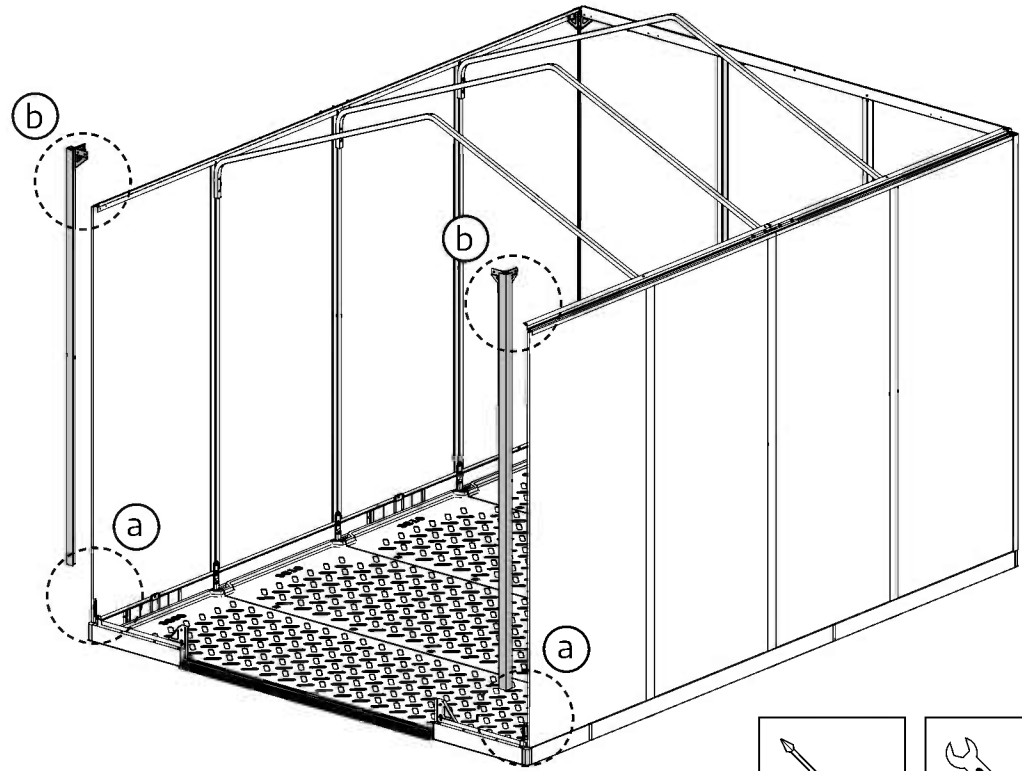
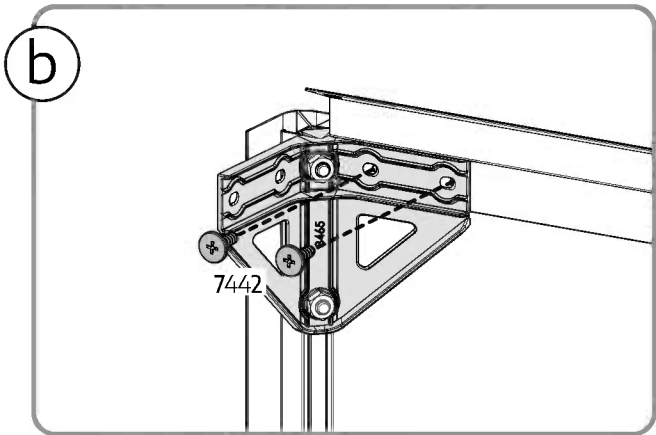
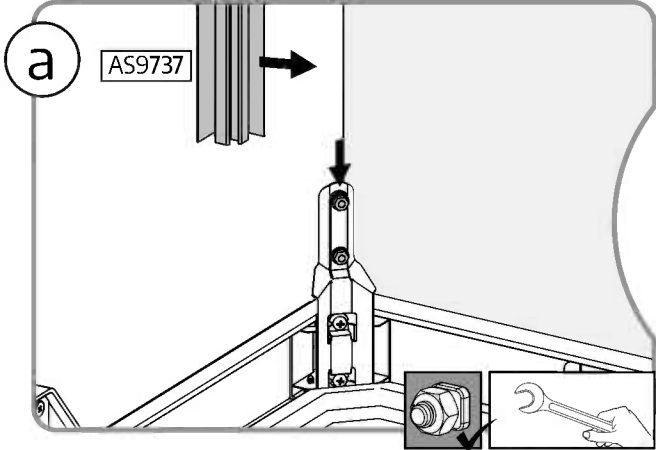
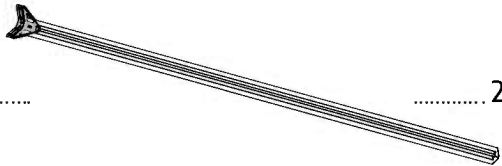


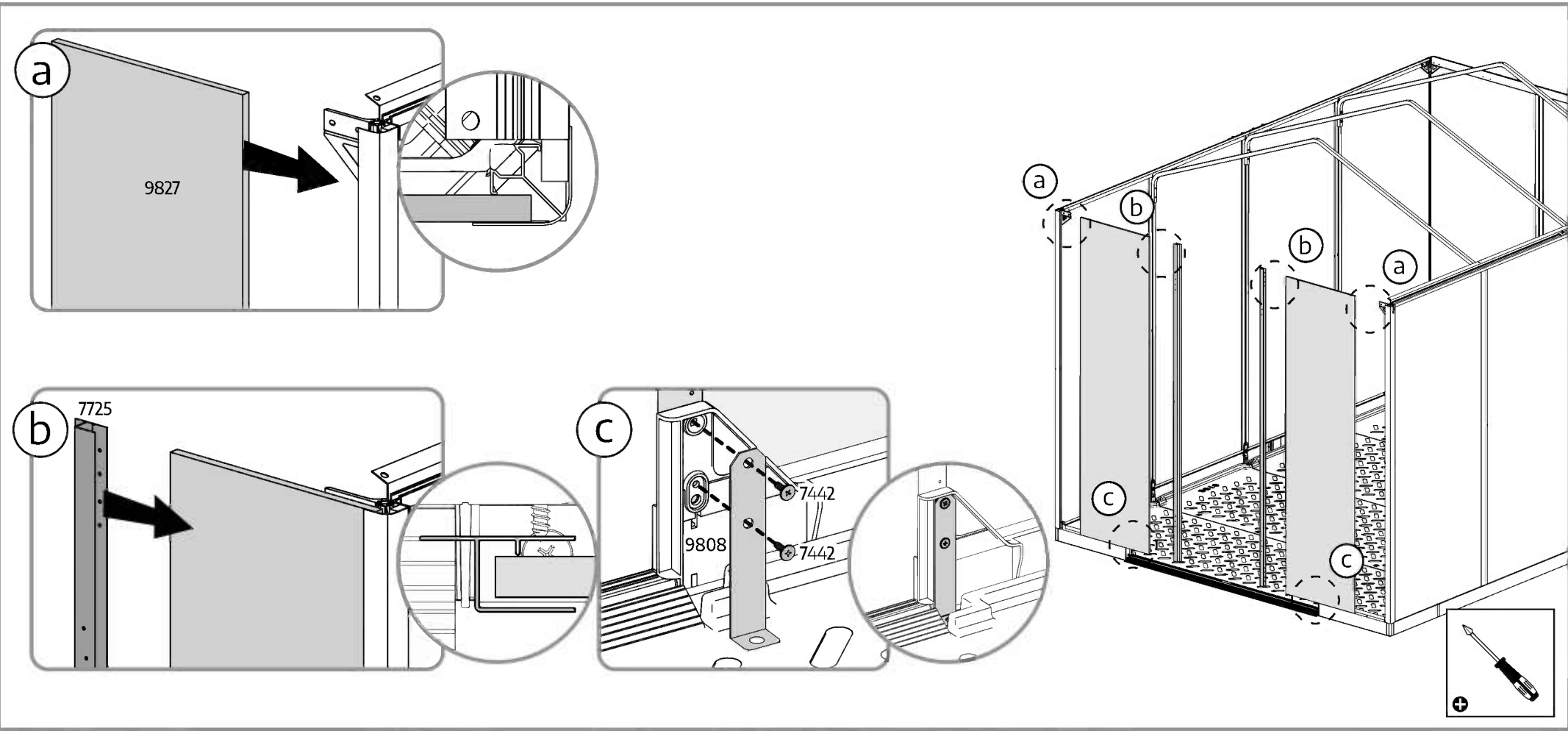
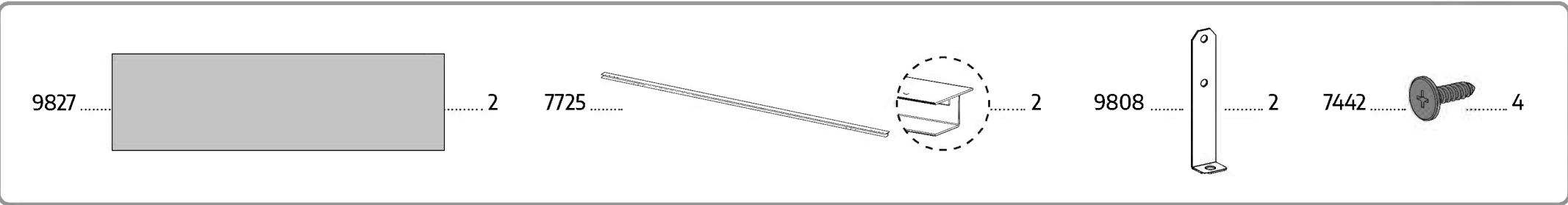
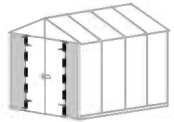
AS9737.....

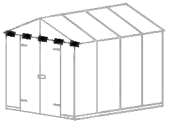
..... 2

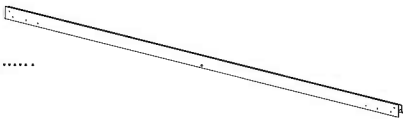




7442.....

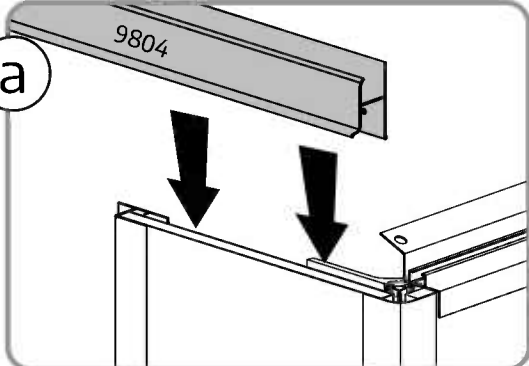
..... 4

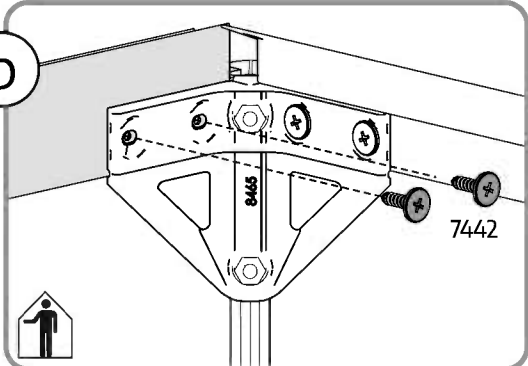


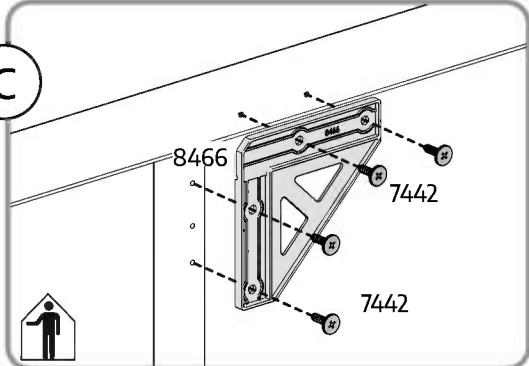


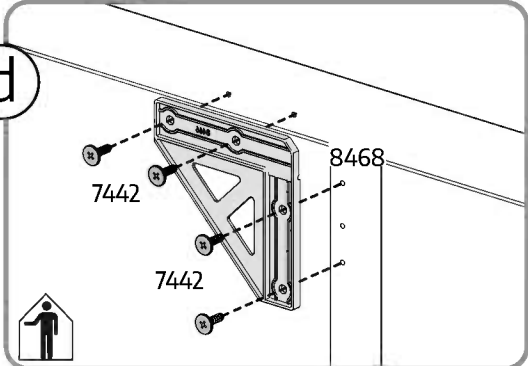


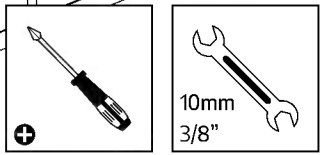
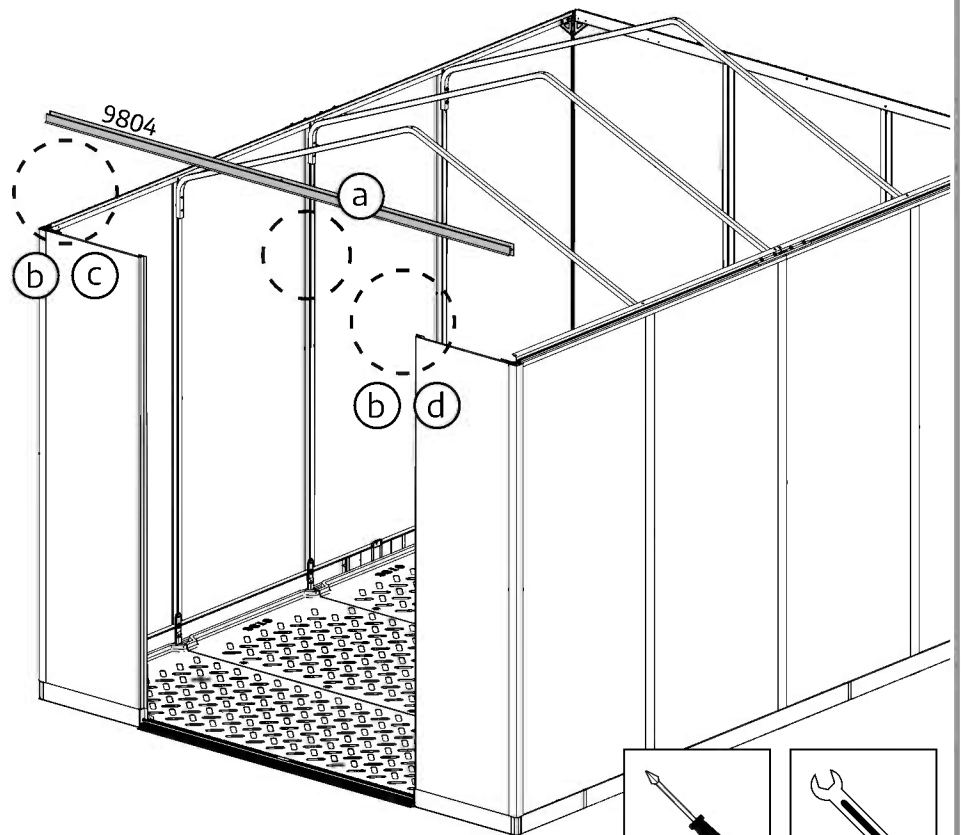
9804.....  1  1 8466.....  1 8468.....  1 7442.....  12

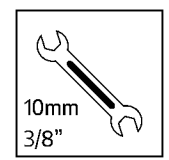
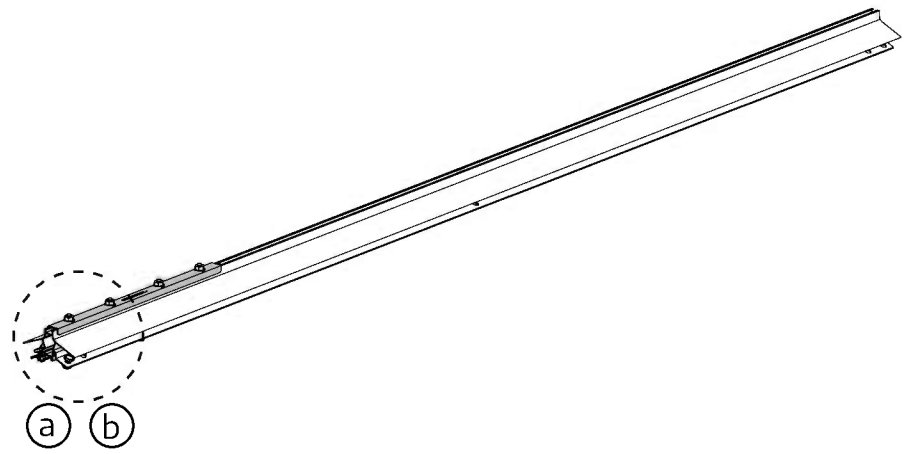
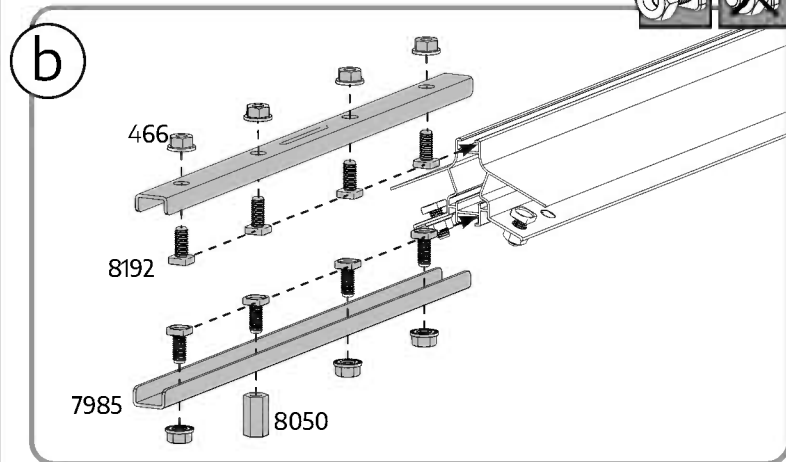
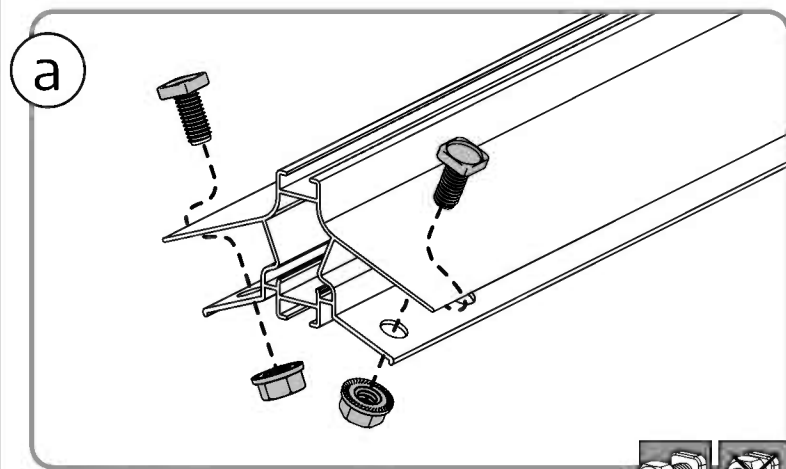
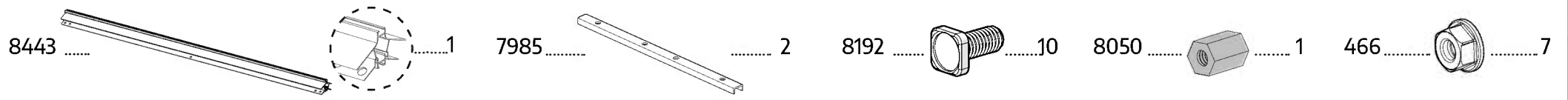
a 

b 

c 

d 





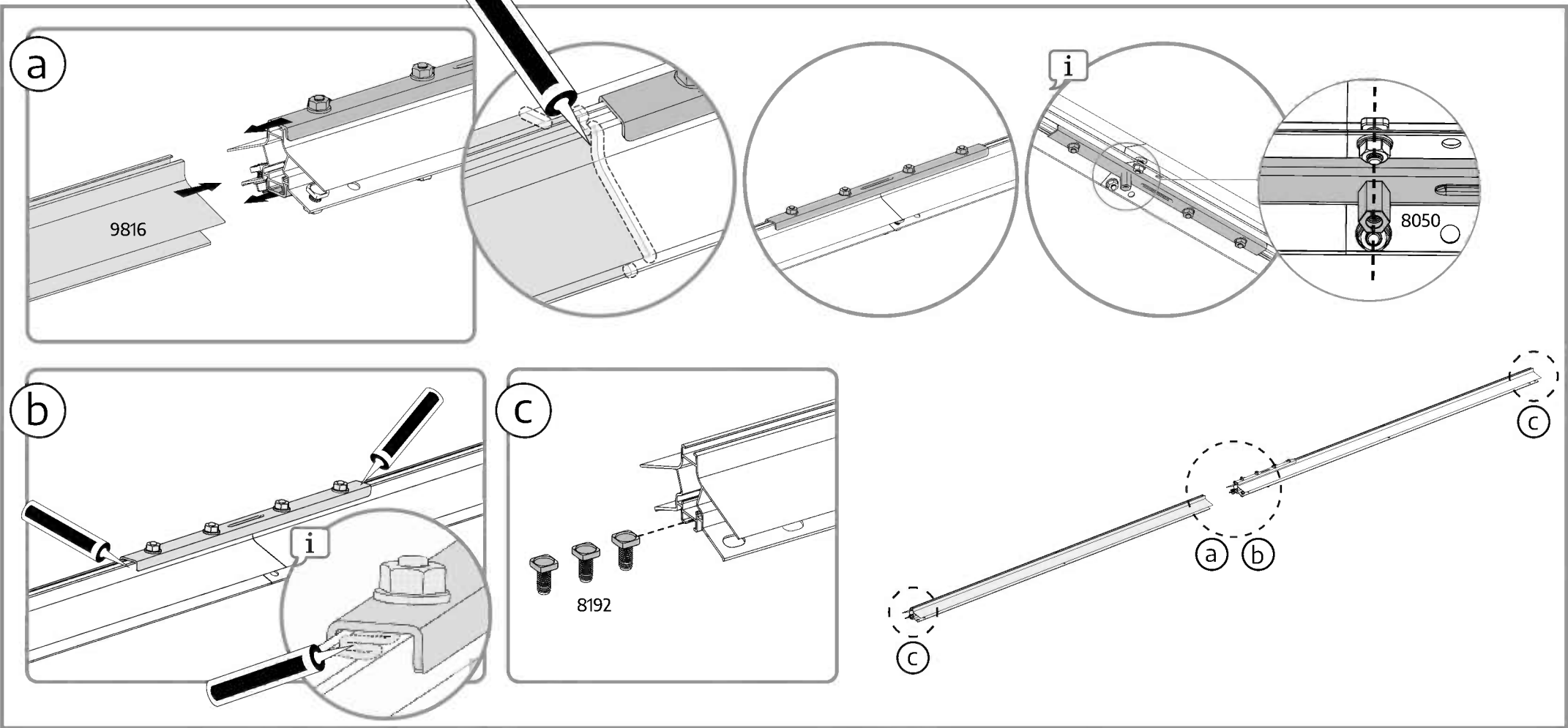
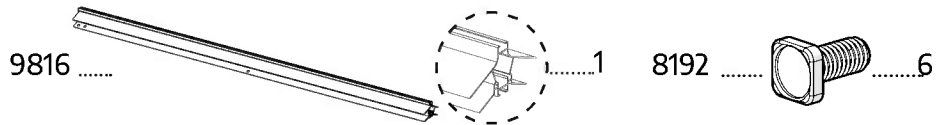
26



Please apply silicone (caulk) sealant at the connection between both Aluminum profiles (diagram a+c), in order to prevent water from seeping in.

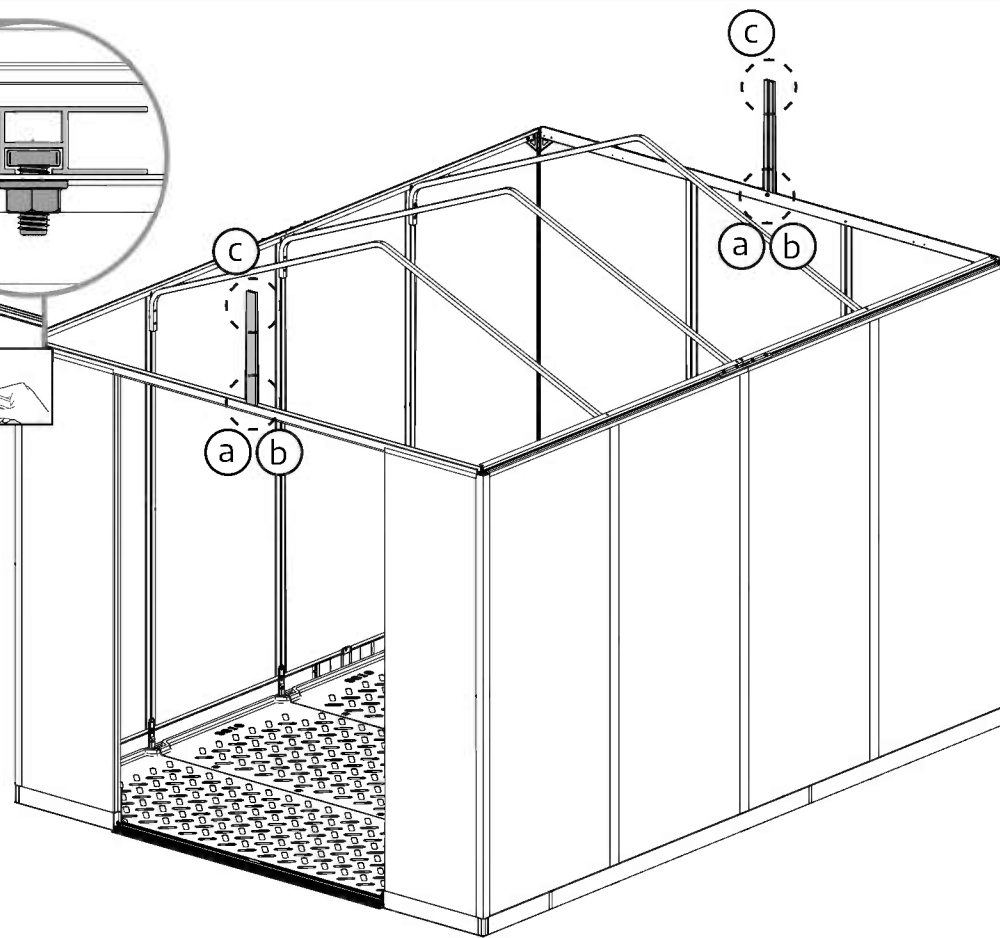
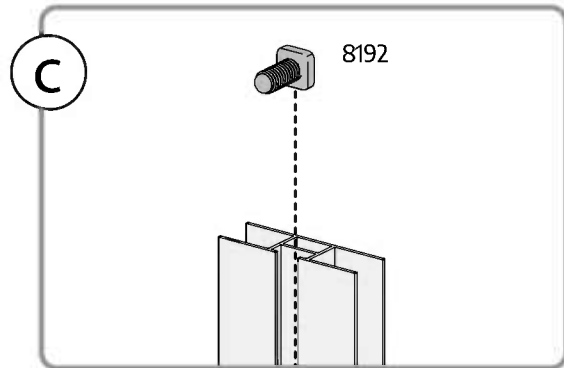
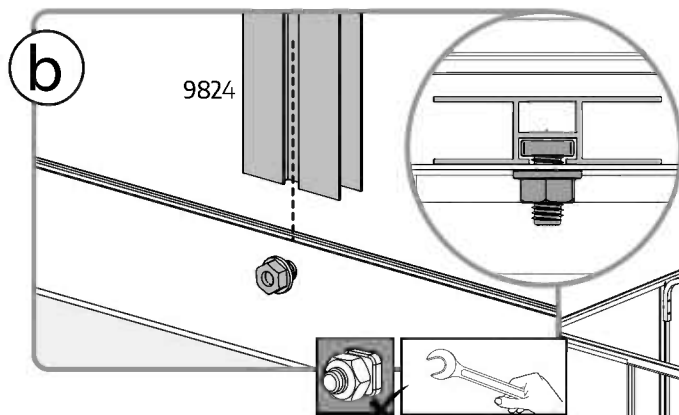
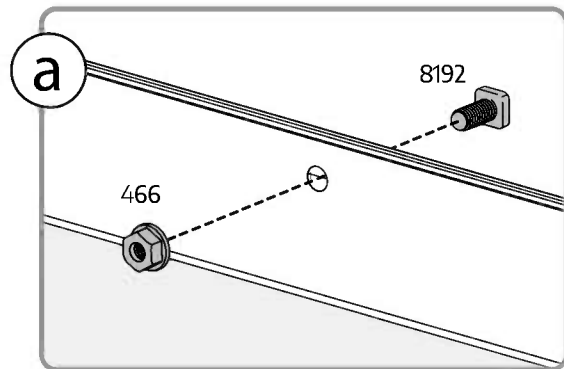


Nut #8050 should be positioned according to the perforation in the profile, as shown in the marked round figure!





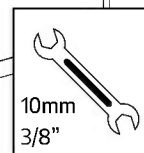
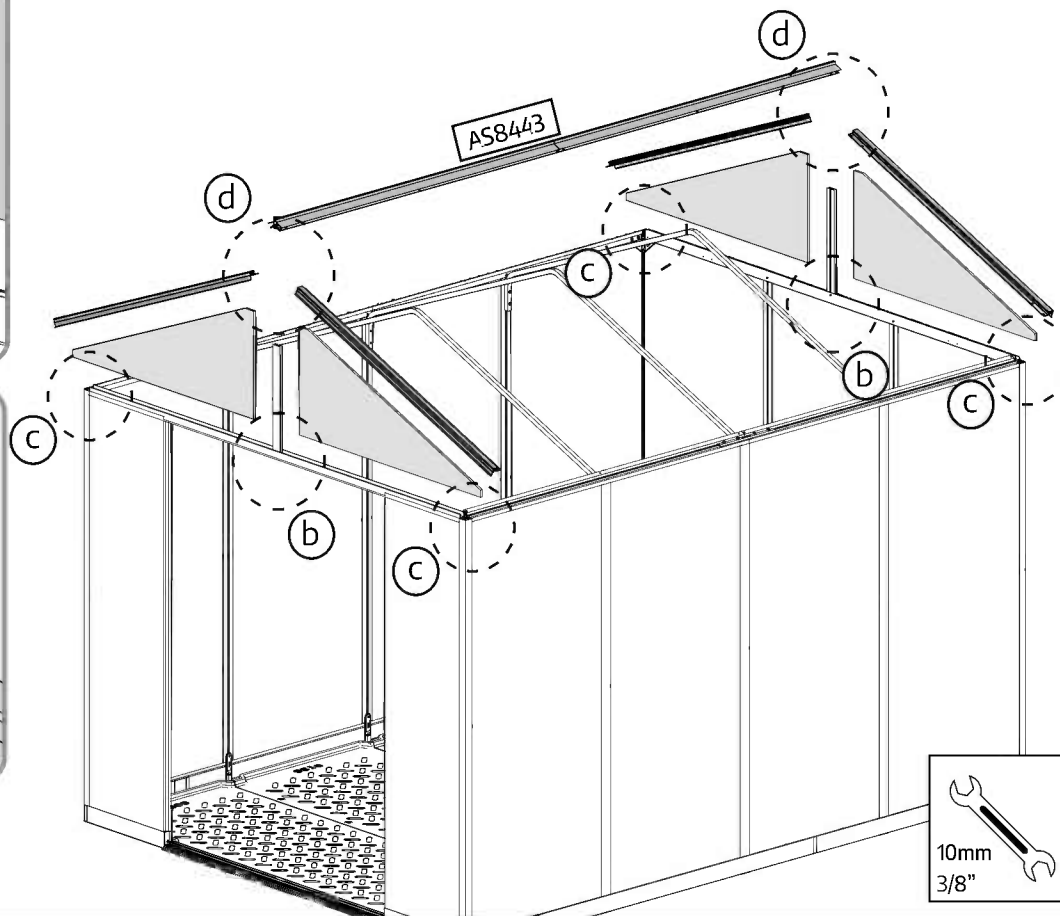
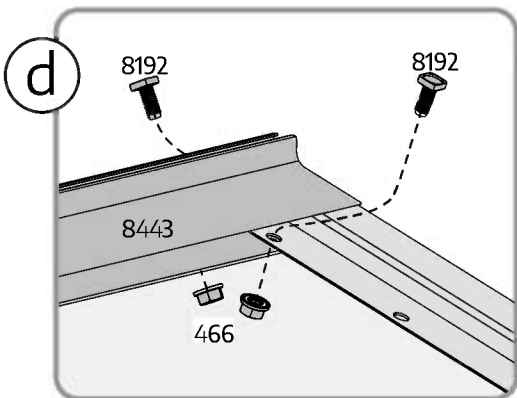
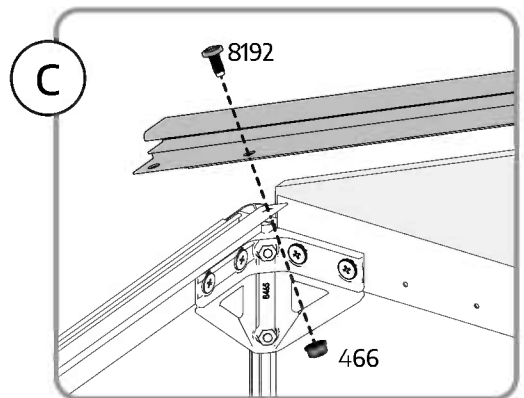
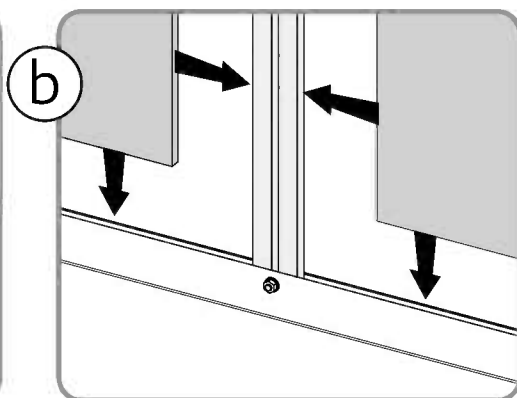
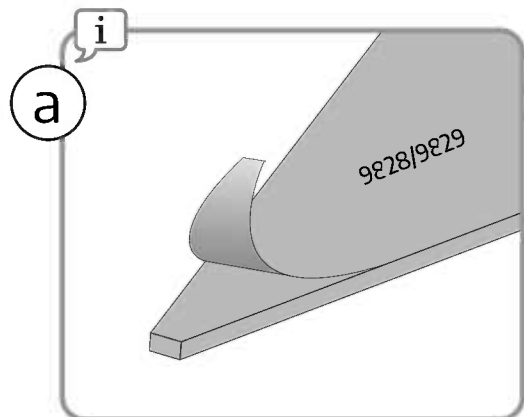
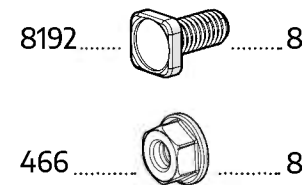
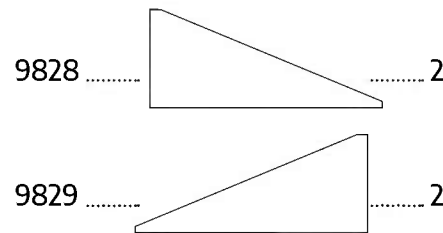
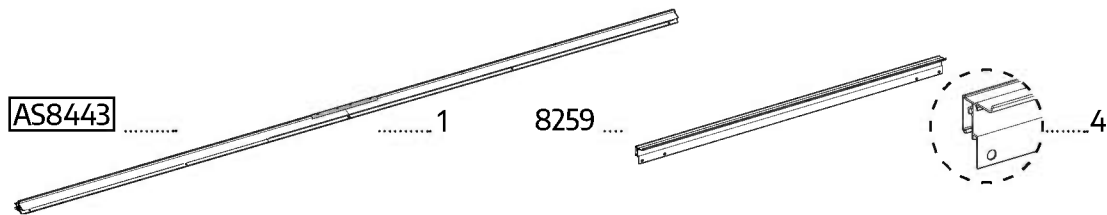
9824 2 466 2 8192 4

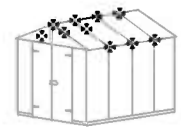


28



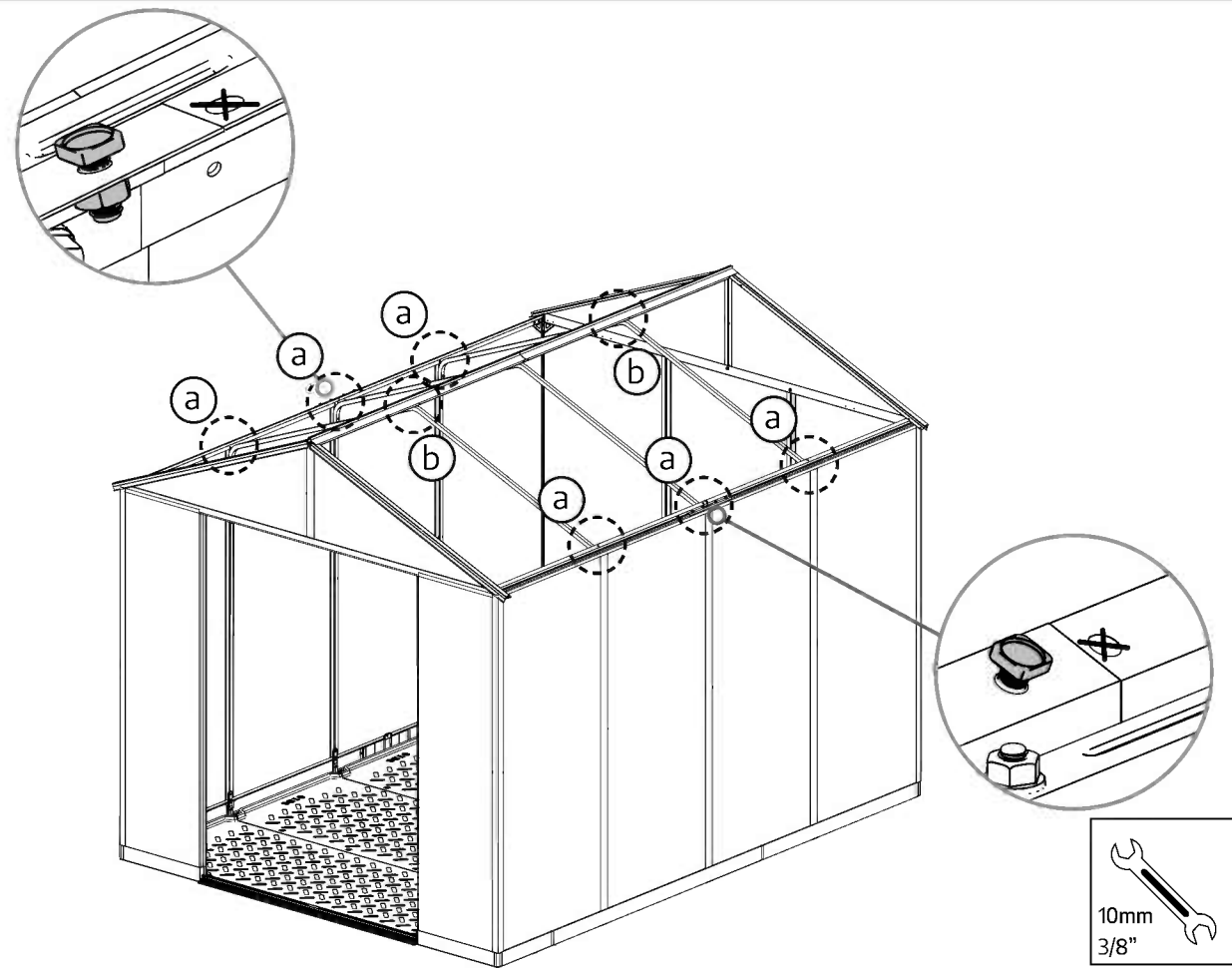
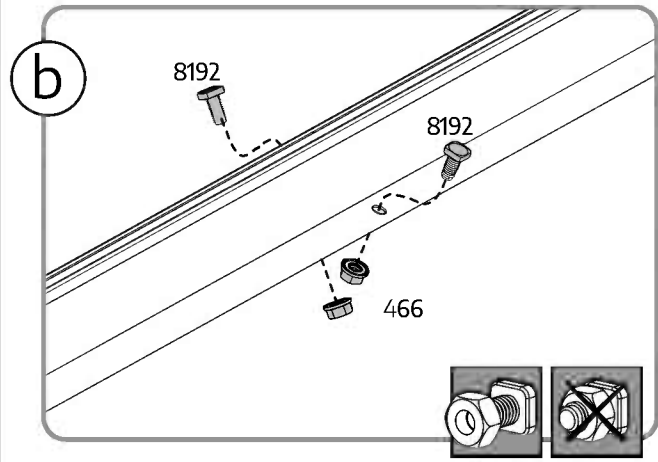
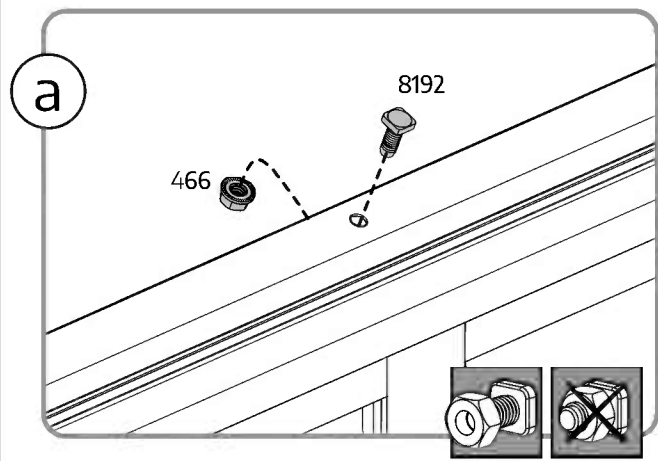
Remove plastic film from the panel **if exist!**





8192.....10

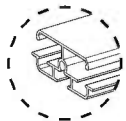
466.....10



10mm
3/8"

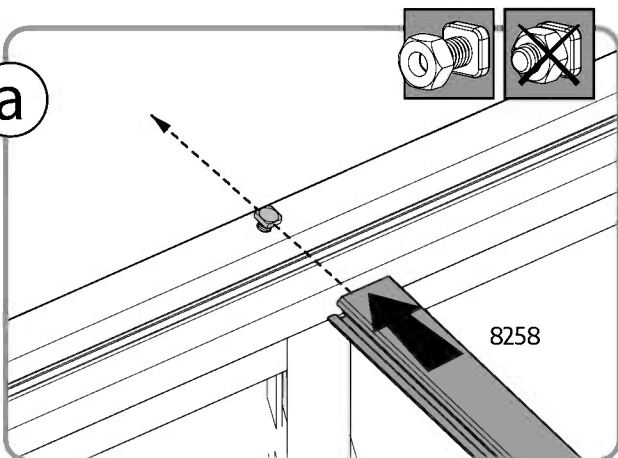


8258.....

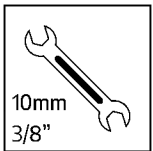
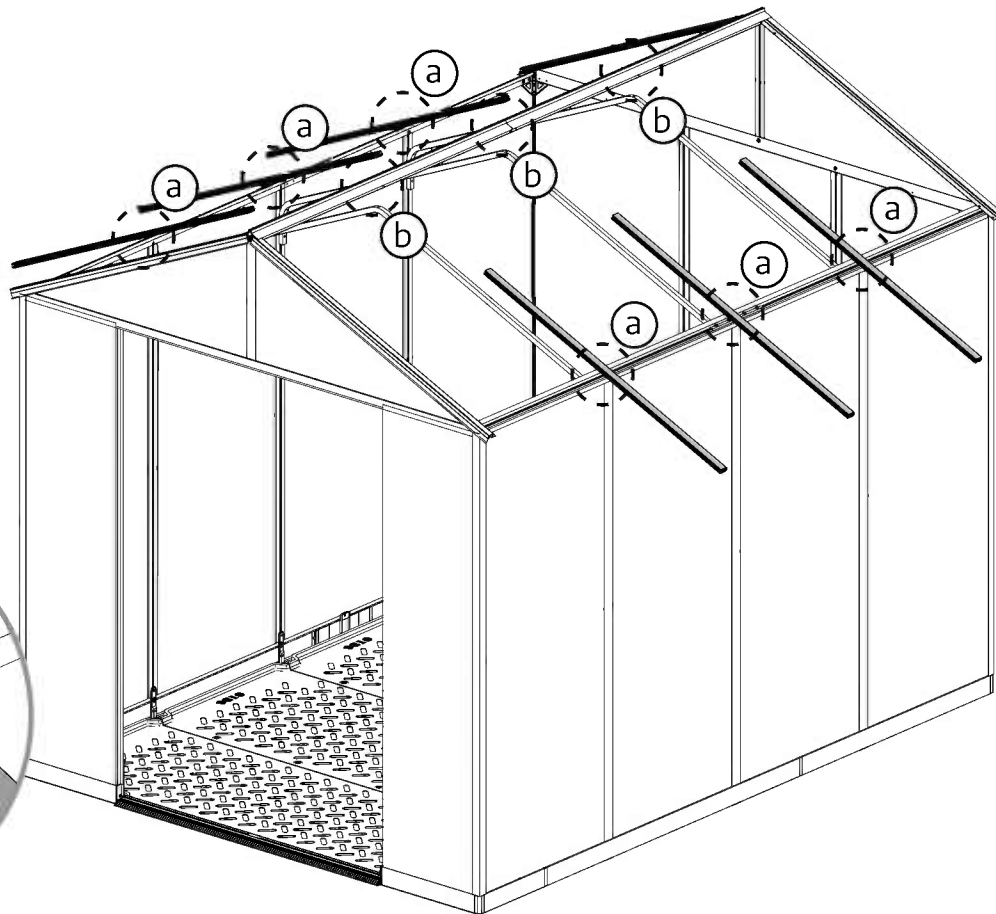
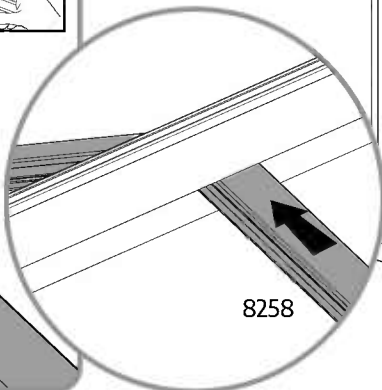
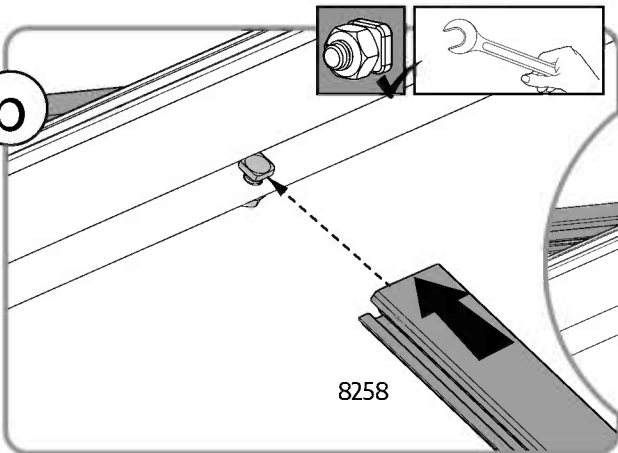


.....6

a



b



31

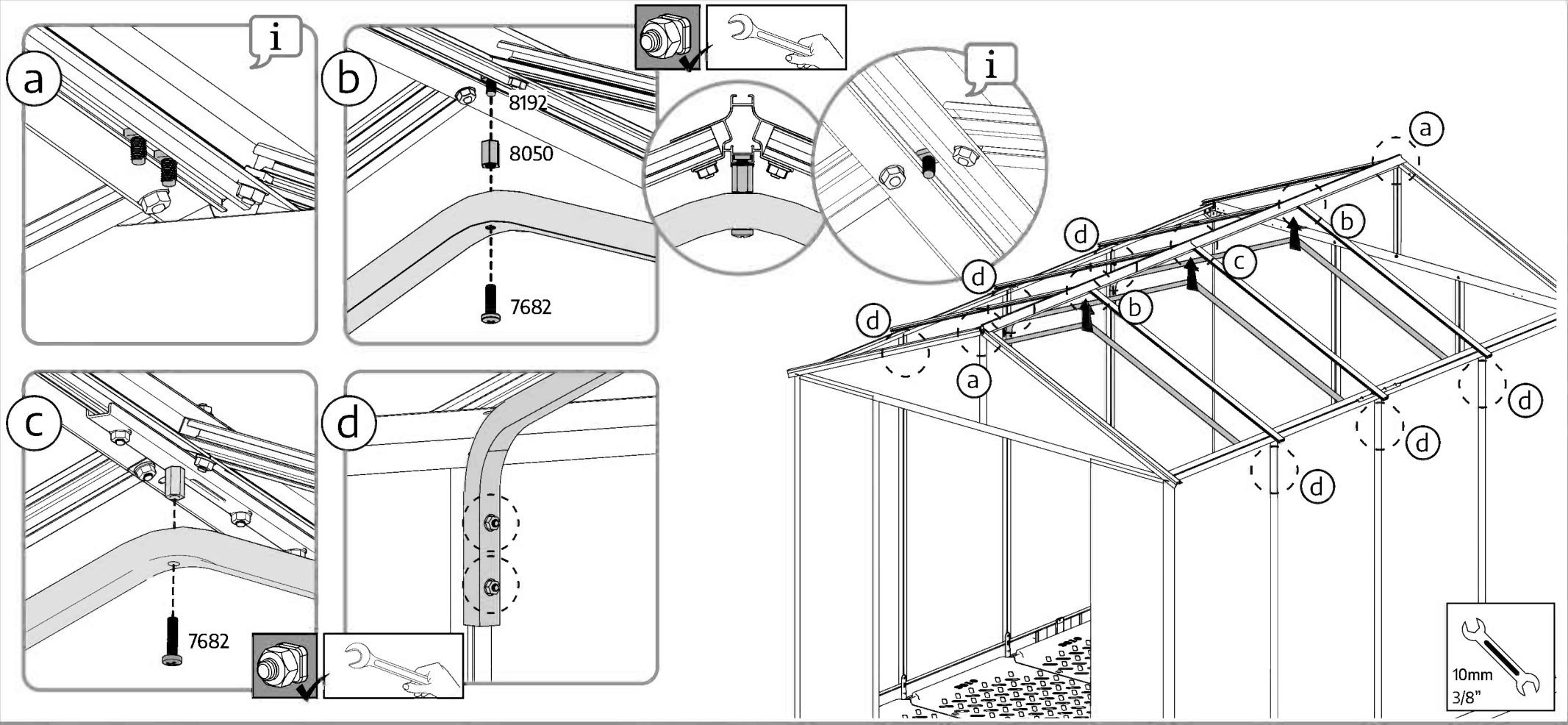


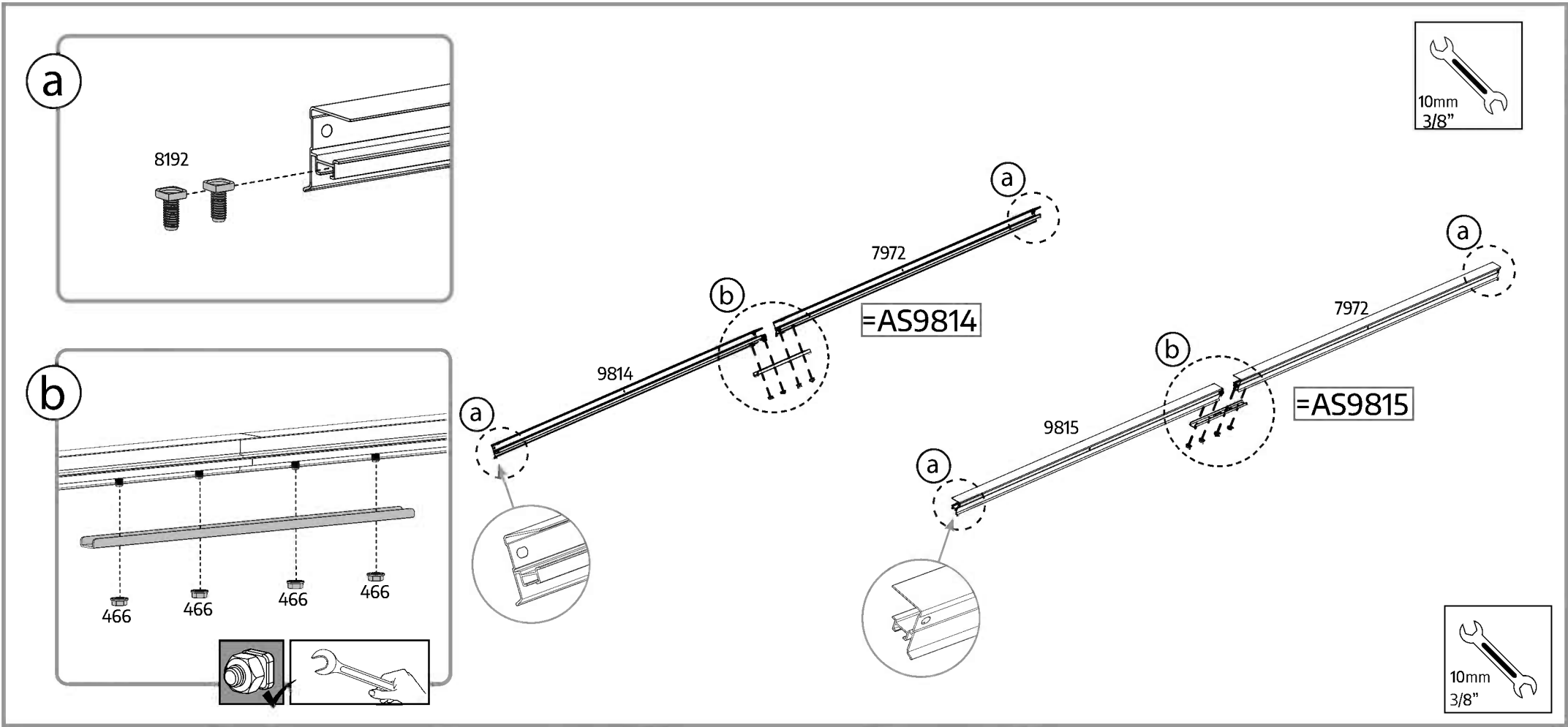
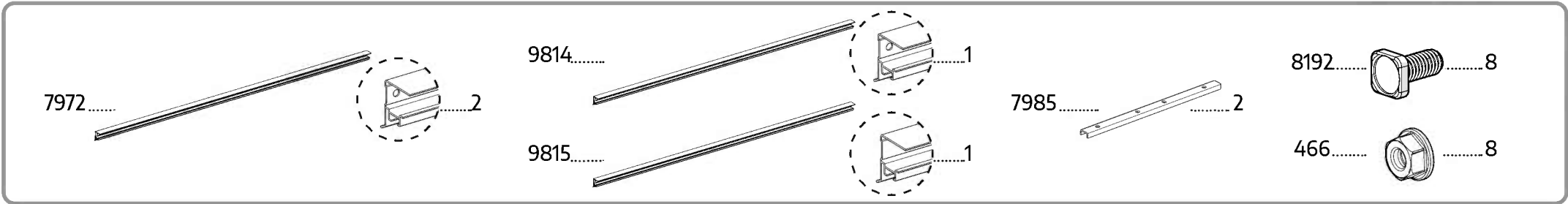
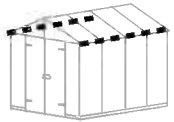
Leave two screw (8192) at each end of the central profile for use in step 43 (see Figure a)

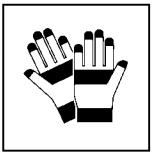
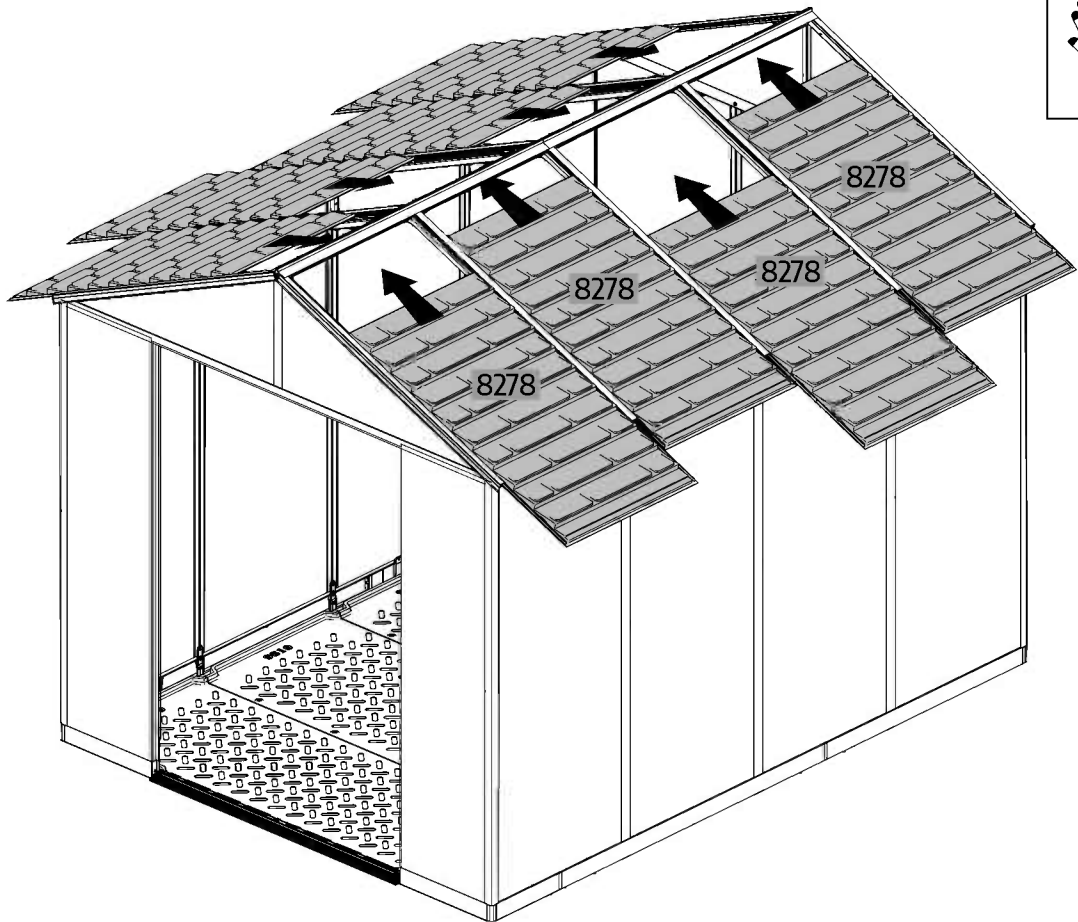
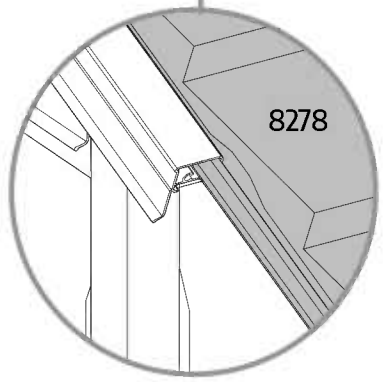
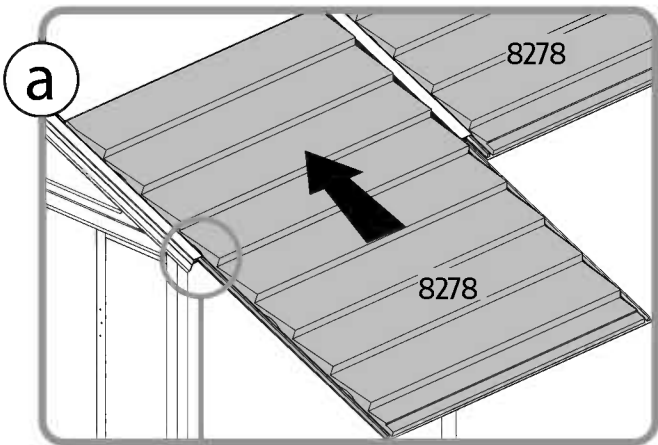
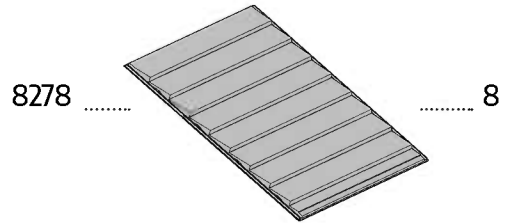
Screw (8192) should be placed between the profiles 8258 as shown in the marked round figure (!).

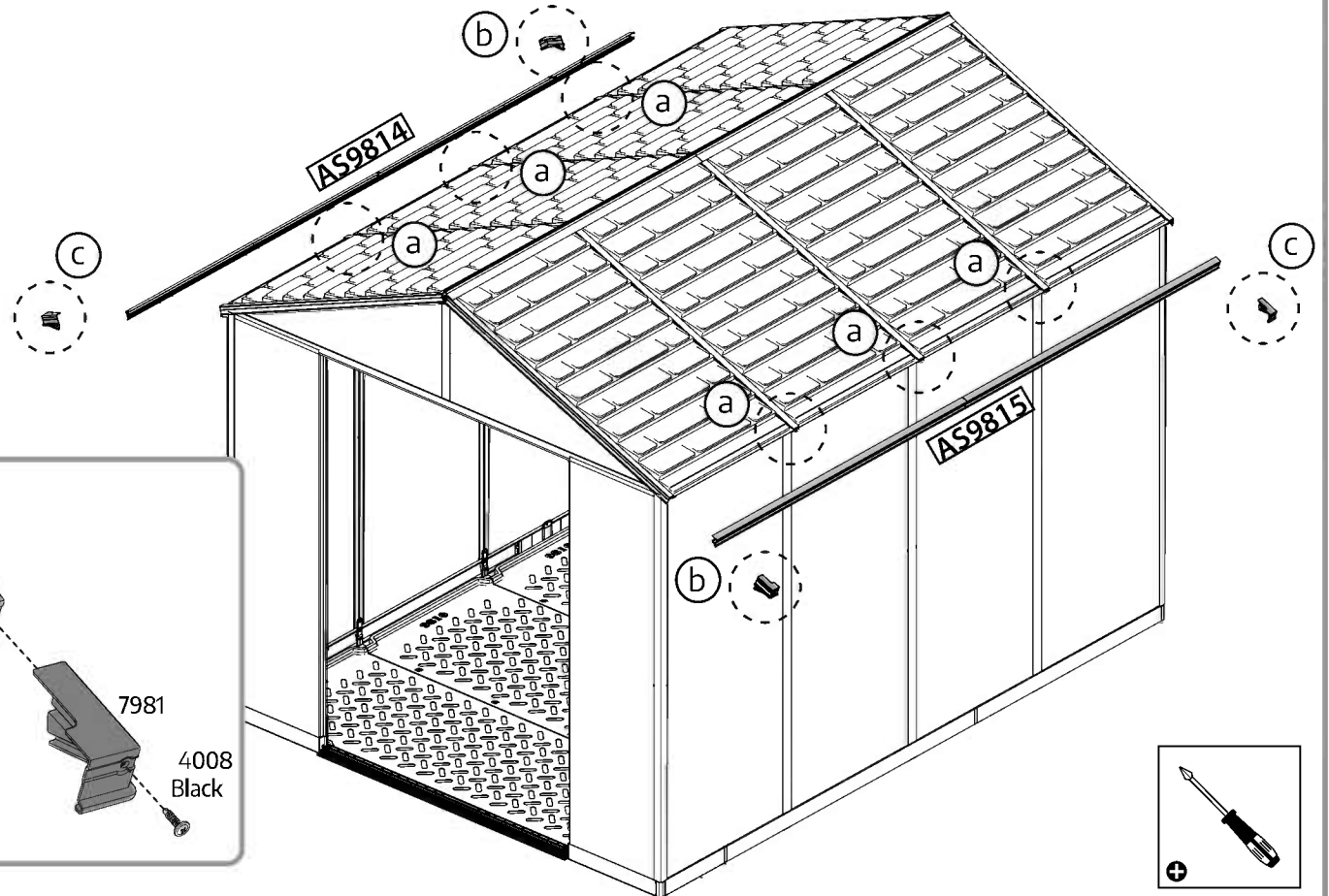
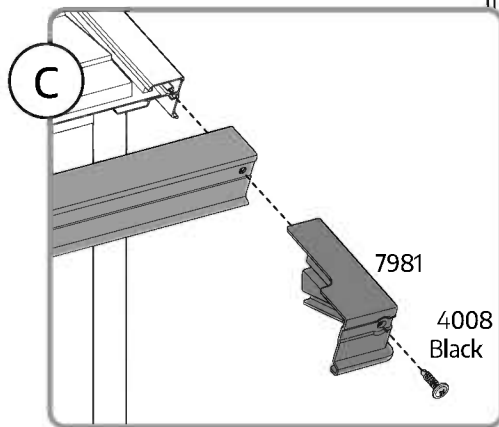
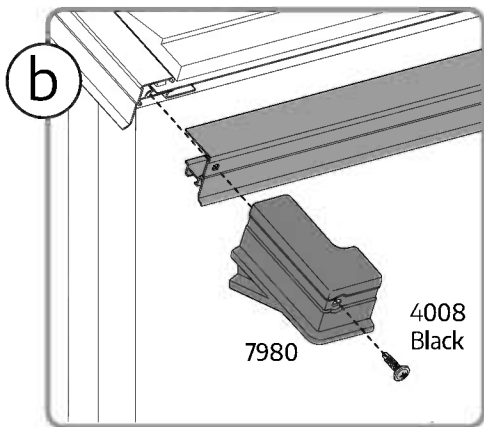
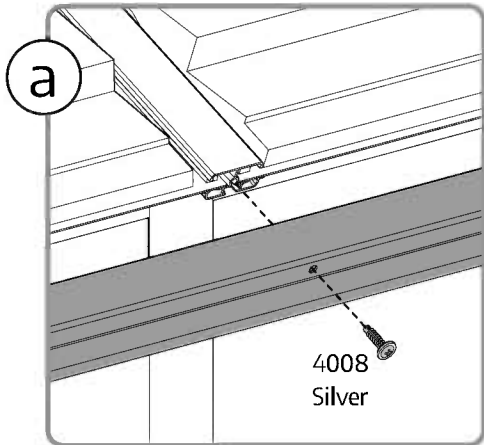
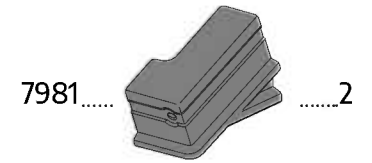
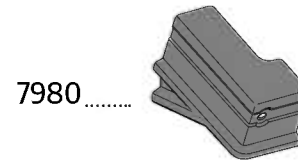
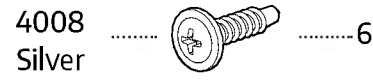
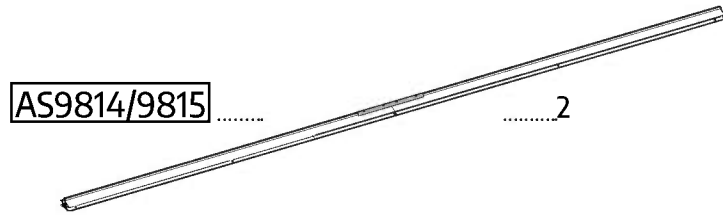
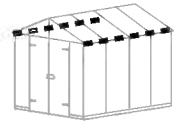


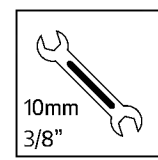
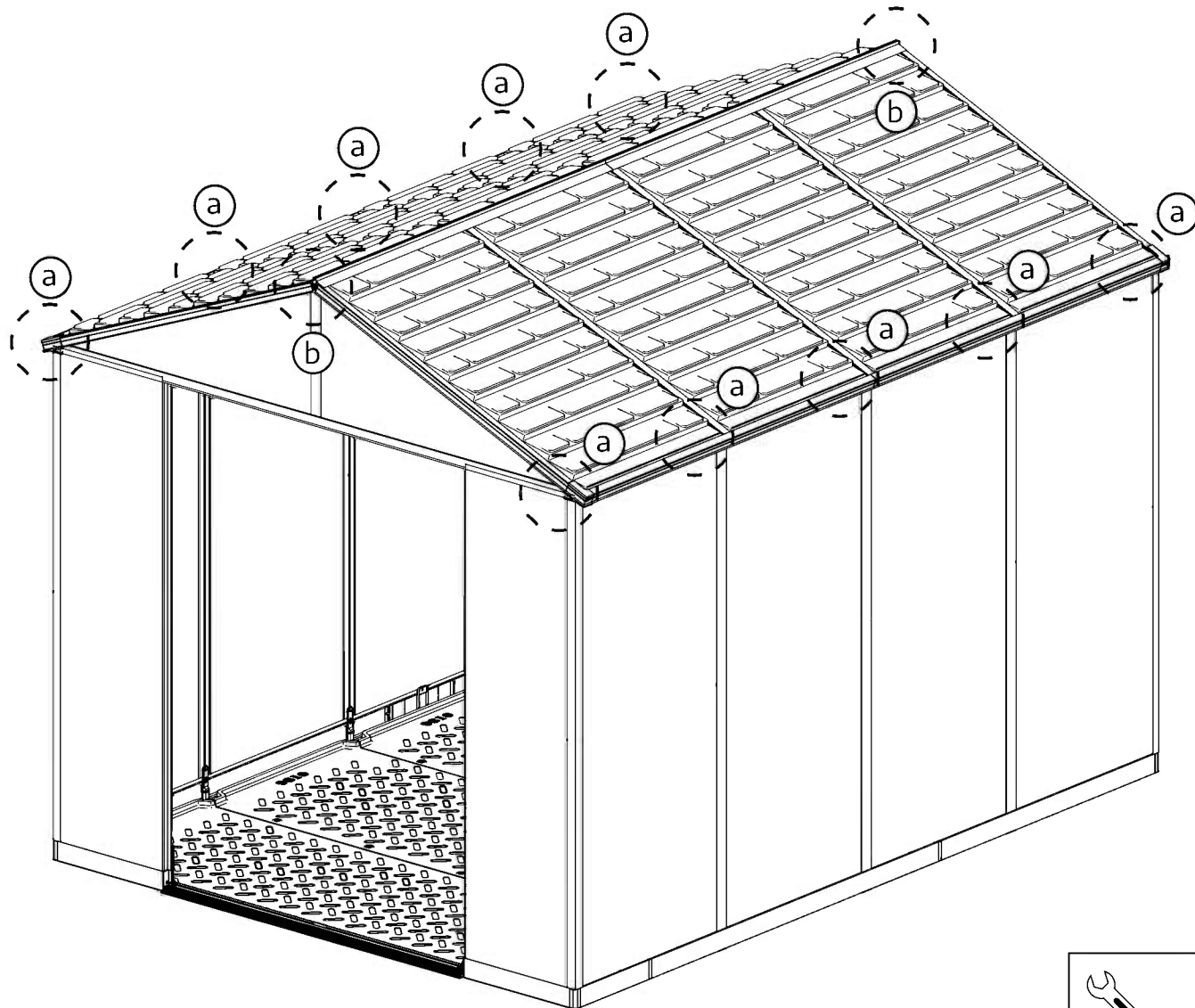
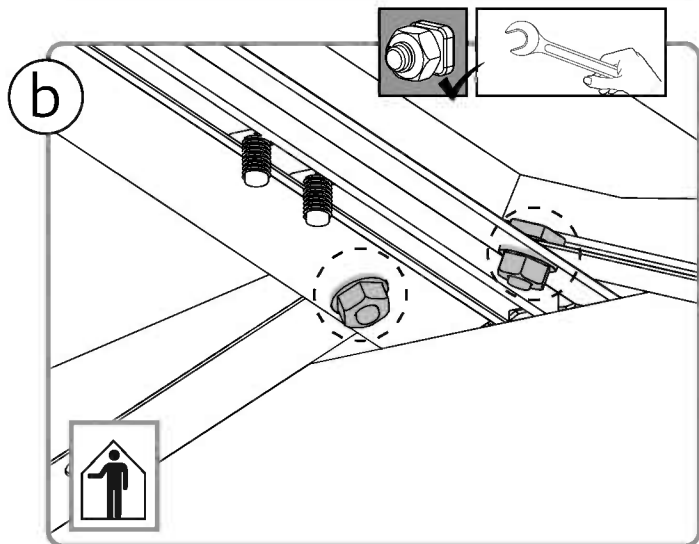
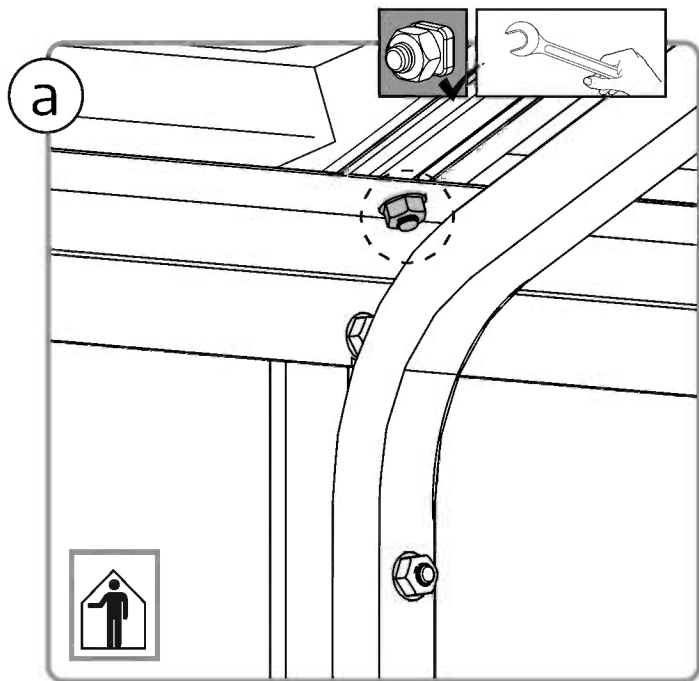
7682 3 8050 2













4008 4
Black

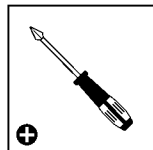
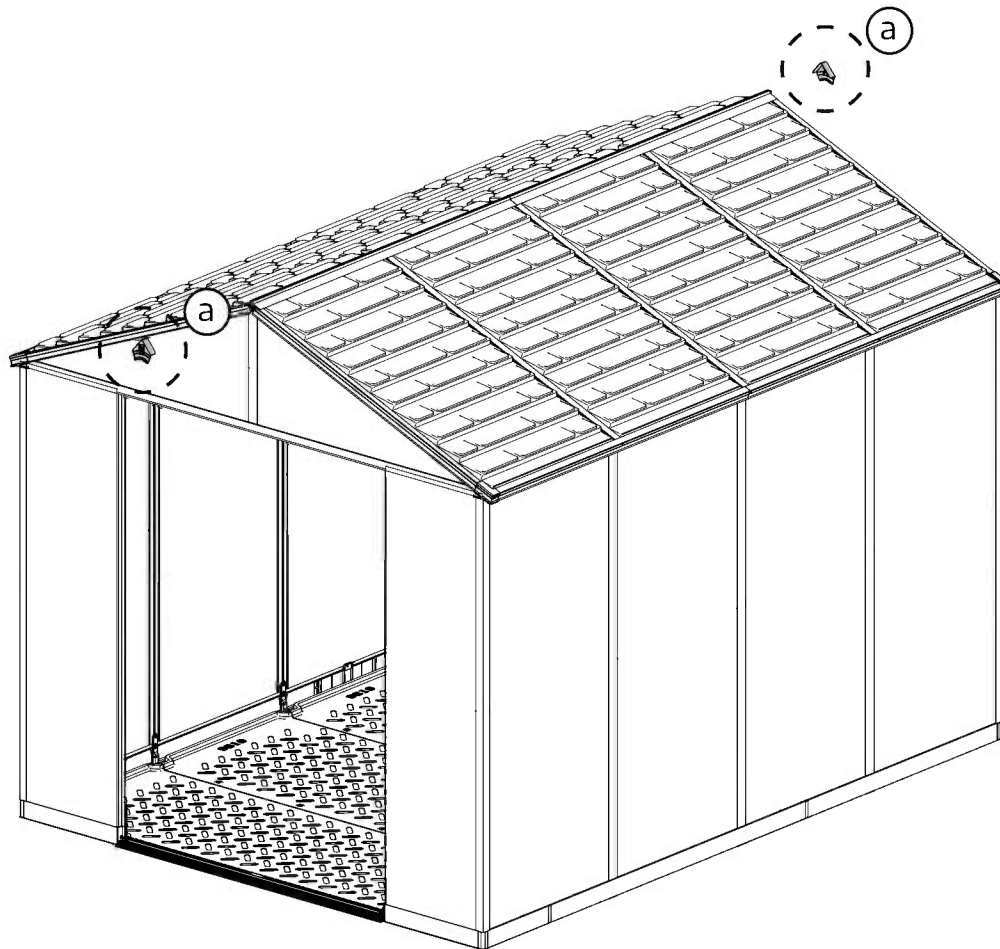
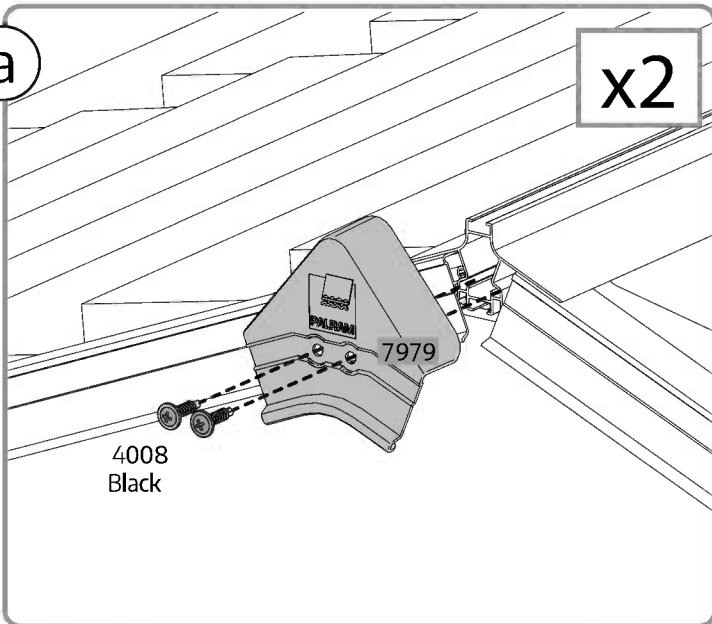


7979 2

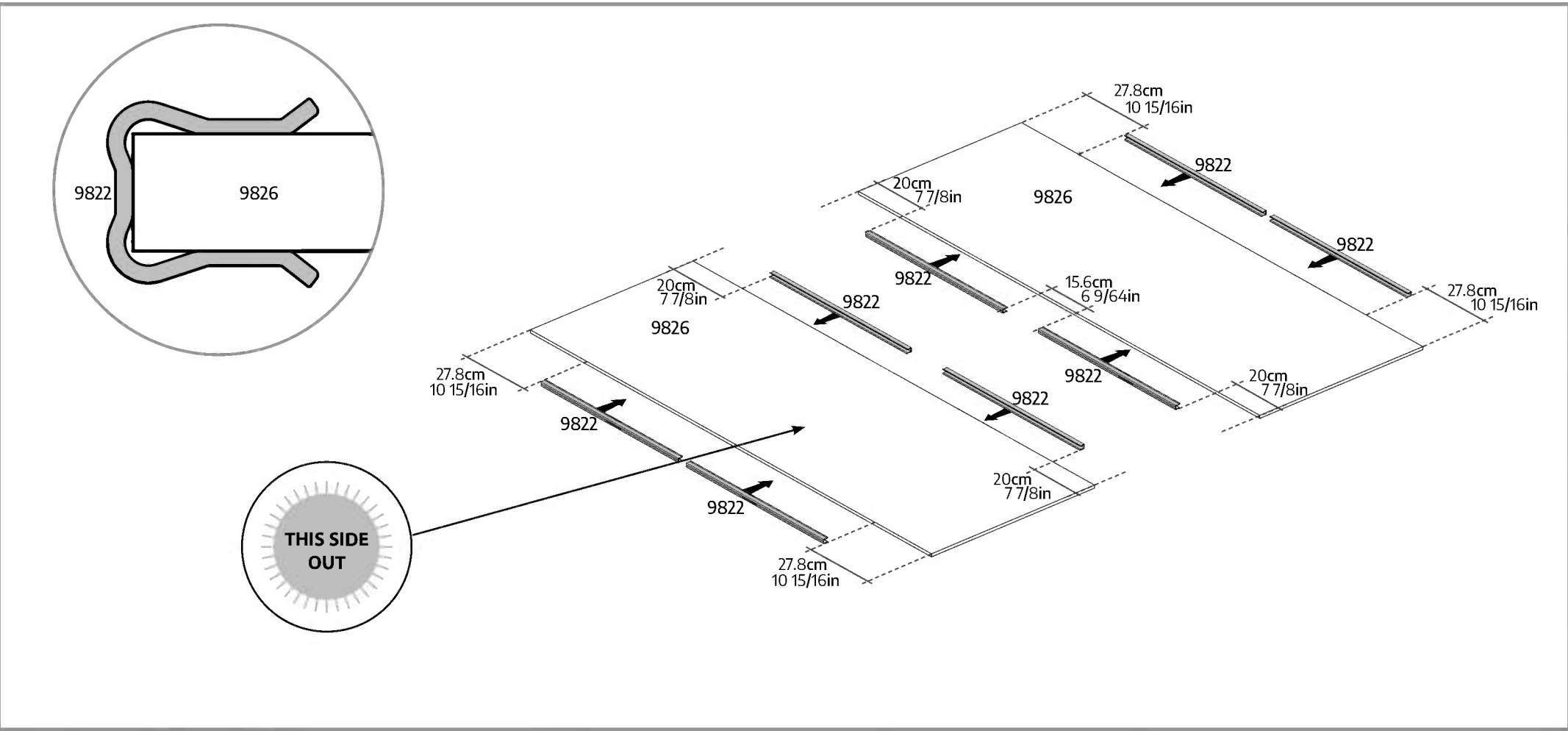
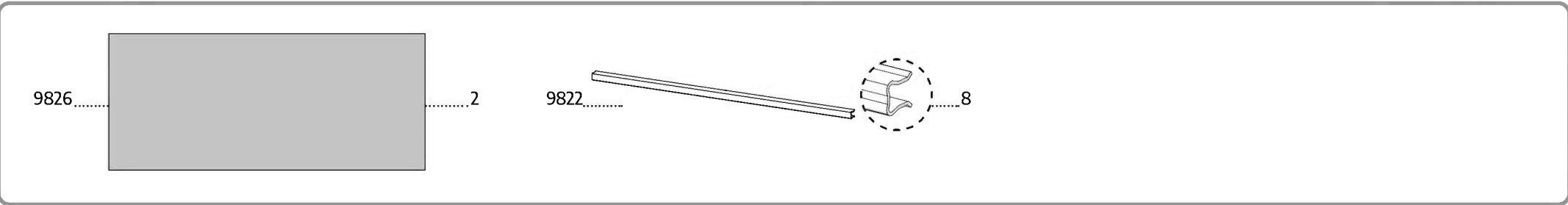
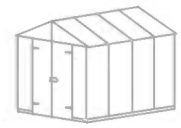


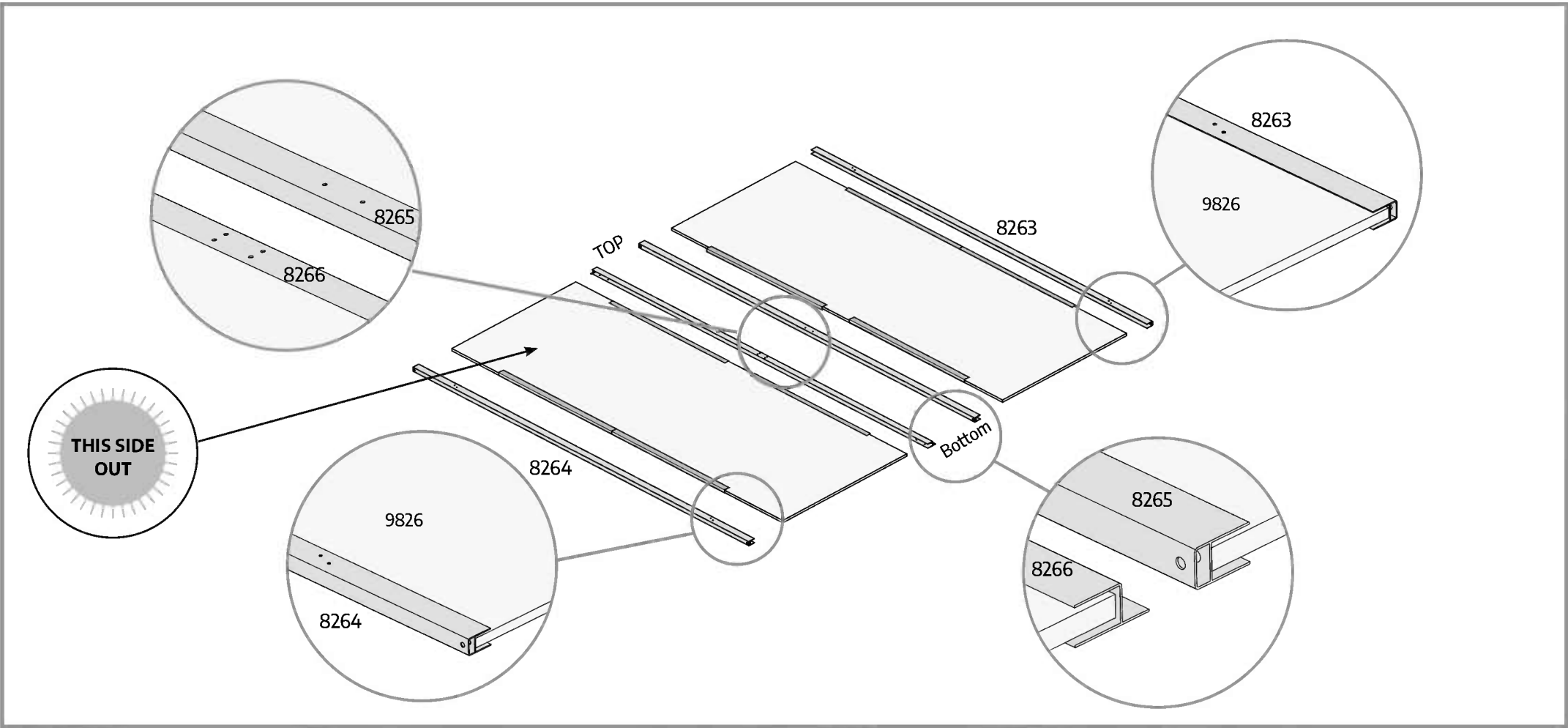
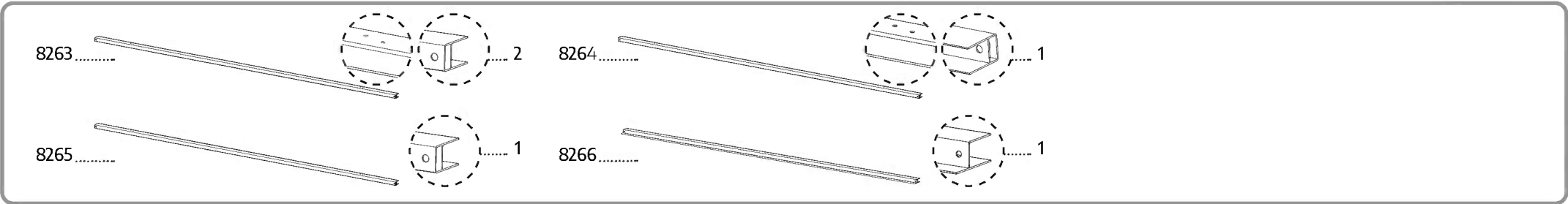
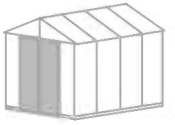
a

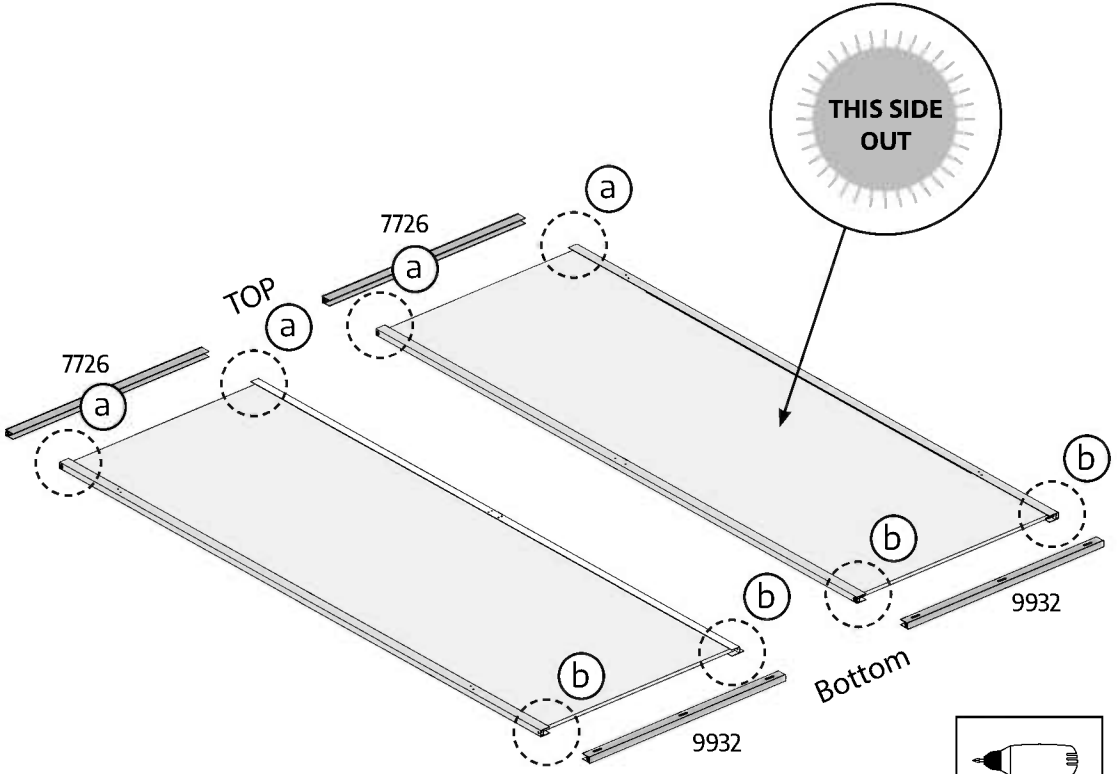
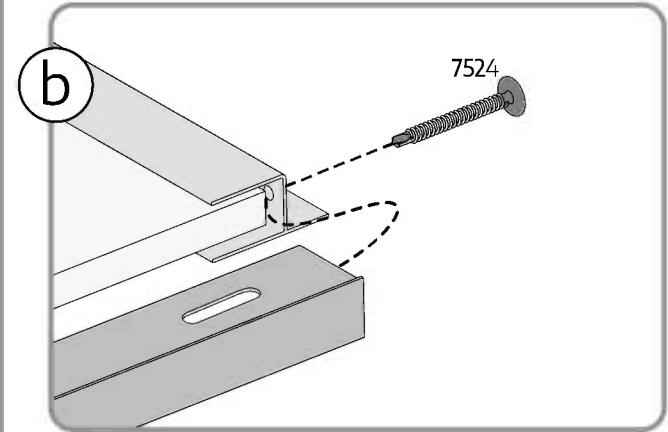
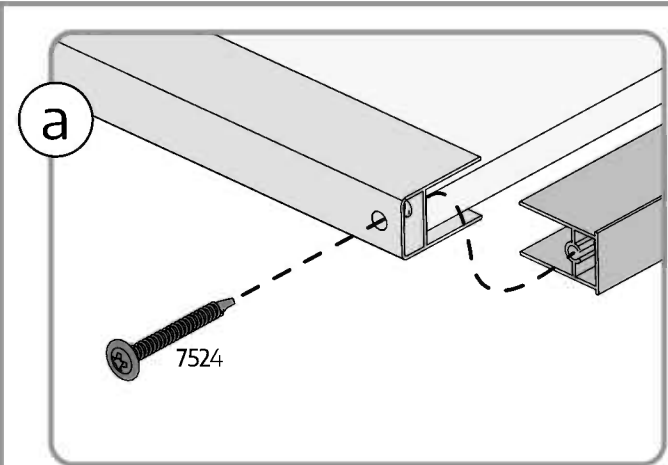
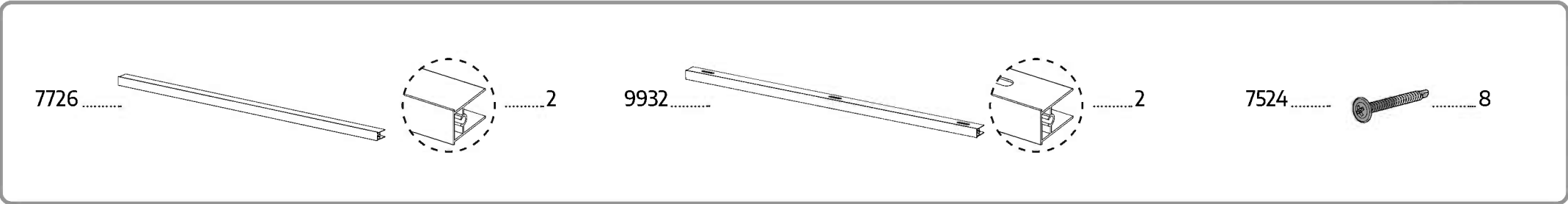
x2



i When assembling the doors, pay attention to the direction of the panels, profiles and holes.









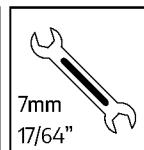
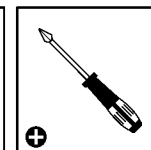
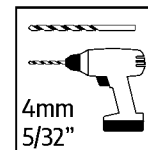
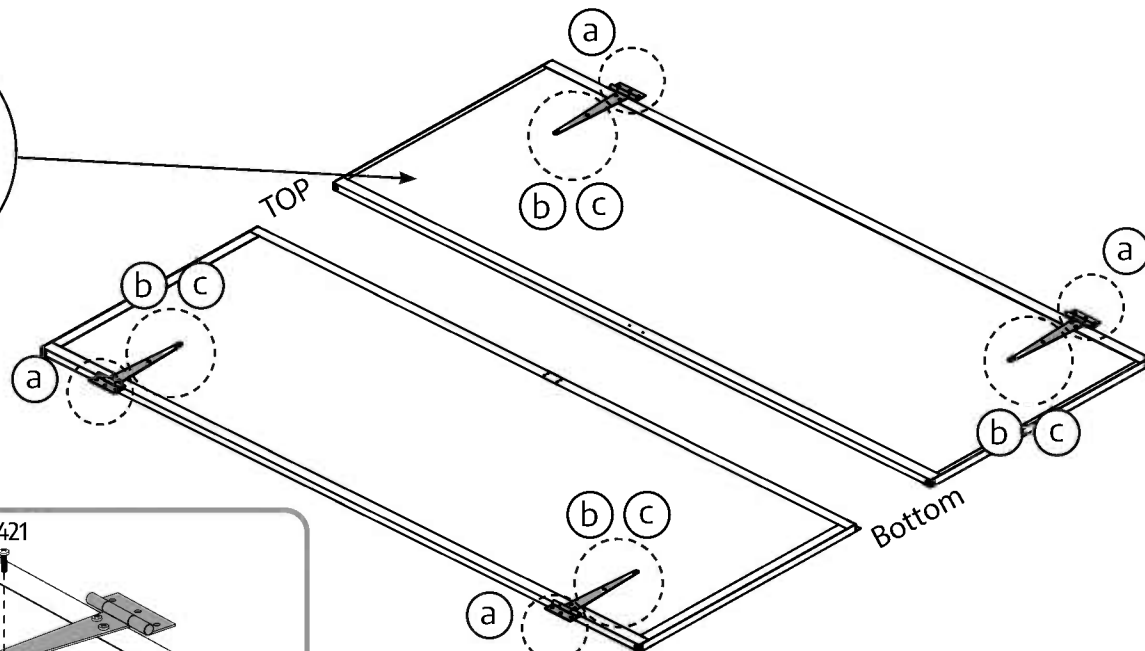
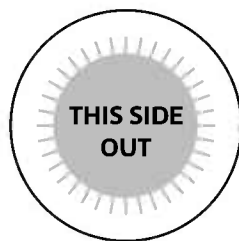
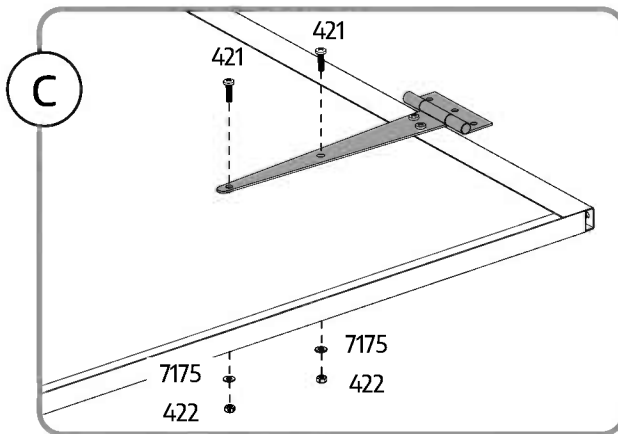
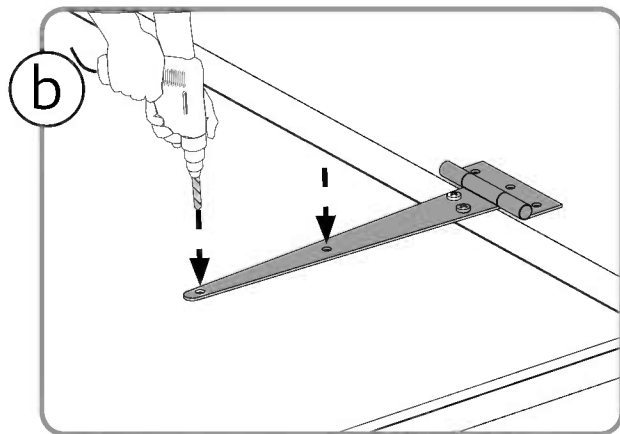
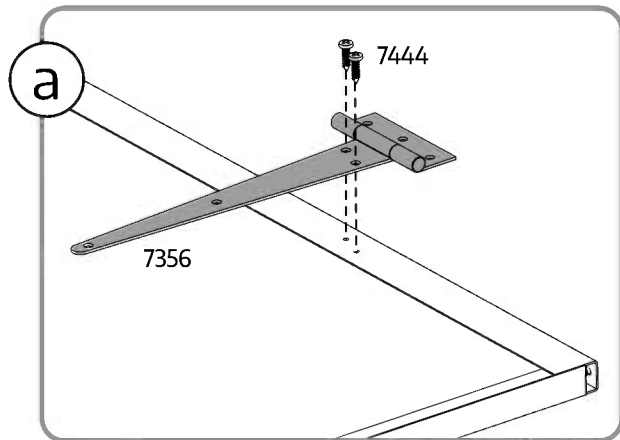
7356..... 4

7444..... 8


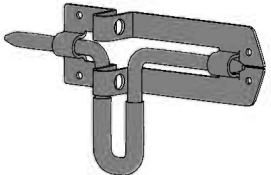

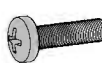


421..... 8

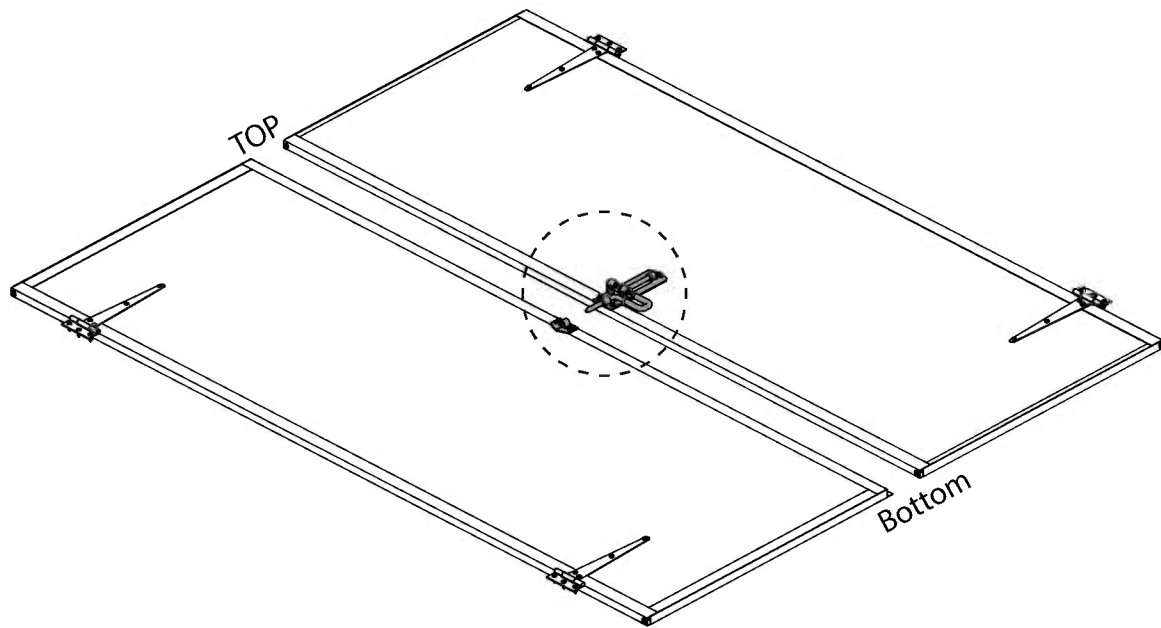
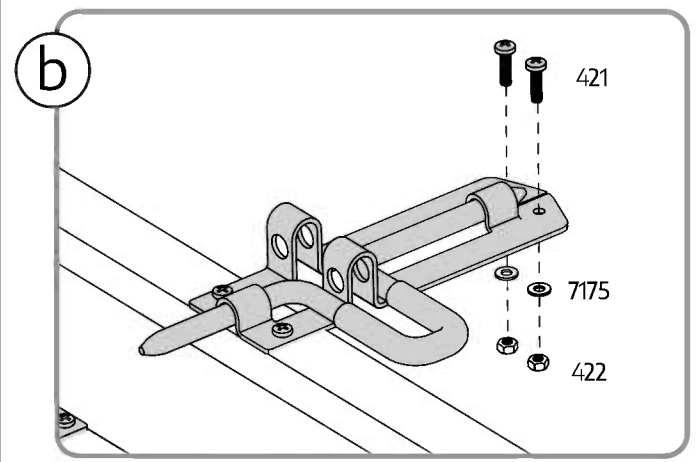
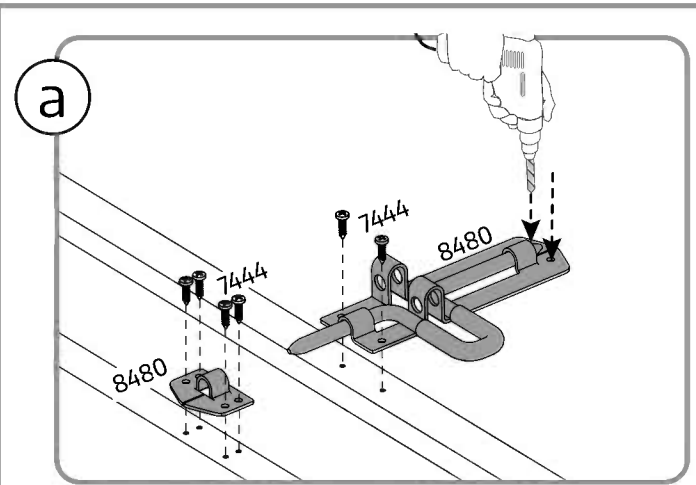
7175..... 8

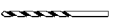
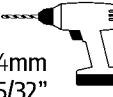



422..... 8





- 8480.....   1
- 7444.....  6
- 421.....  2
- 7175.....  2
- 422.....  2



  4mm 5/32"	 	 7mm 17/64"
------------------------------------------------------------------------------------------------------------------------------------------------------------------------------------------------	--------------------------------------------------------------------------------------------------------------------------------------------------------------------------------	--------------------------------------------------------------------------------------------------------

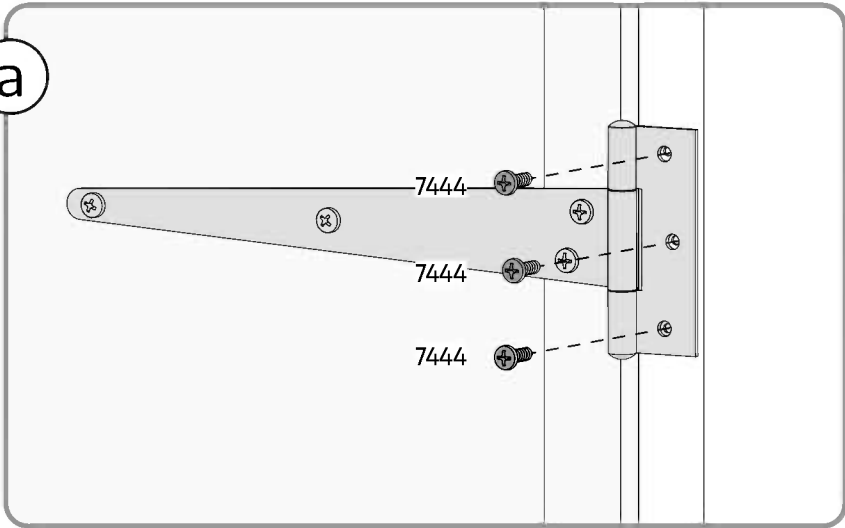
i The door can be installed either as a left or right hand door. These instructions show a right hand door assembly.



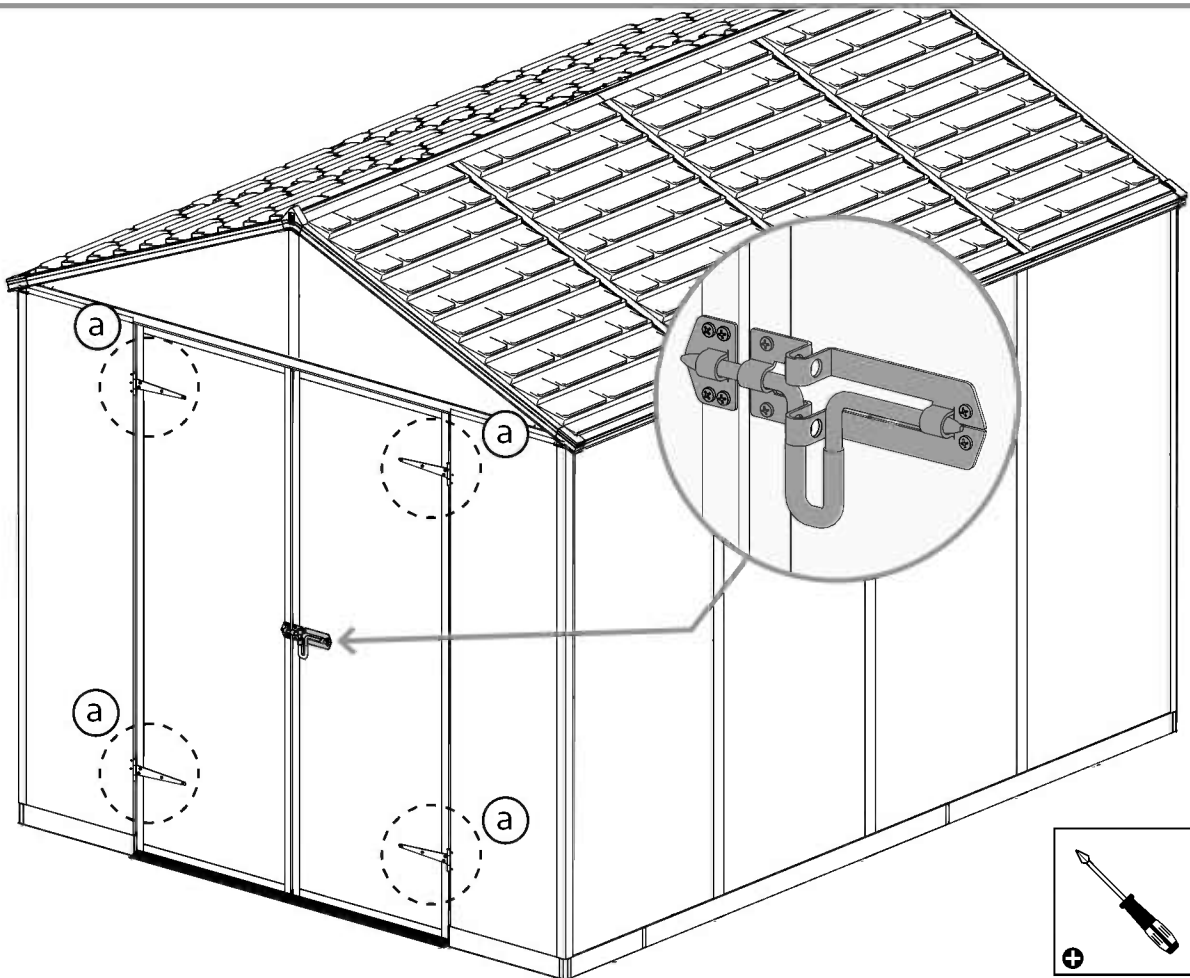
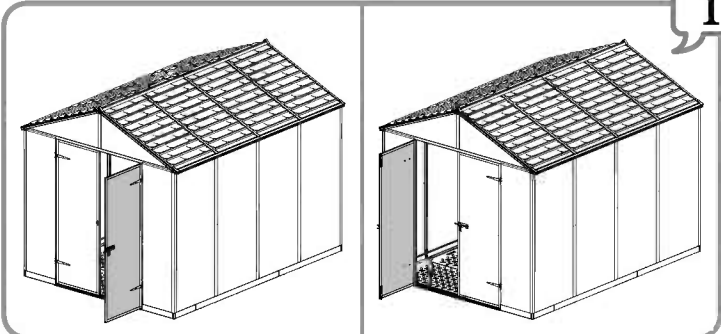
7444.....12



a

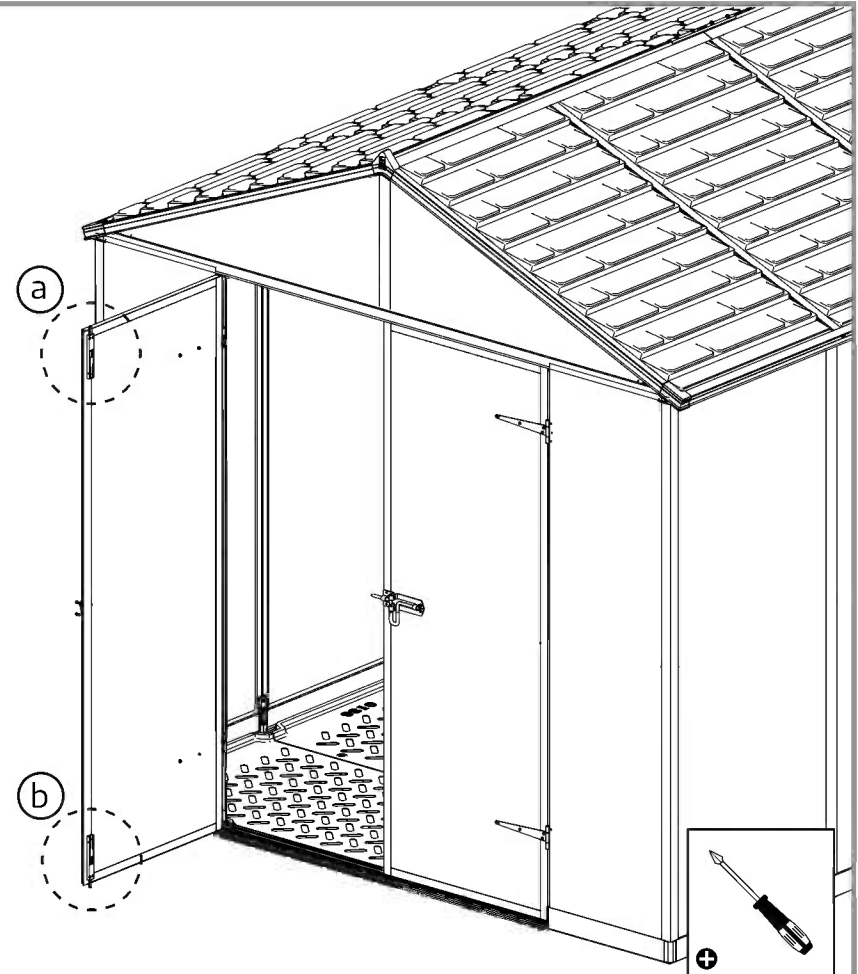
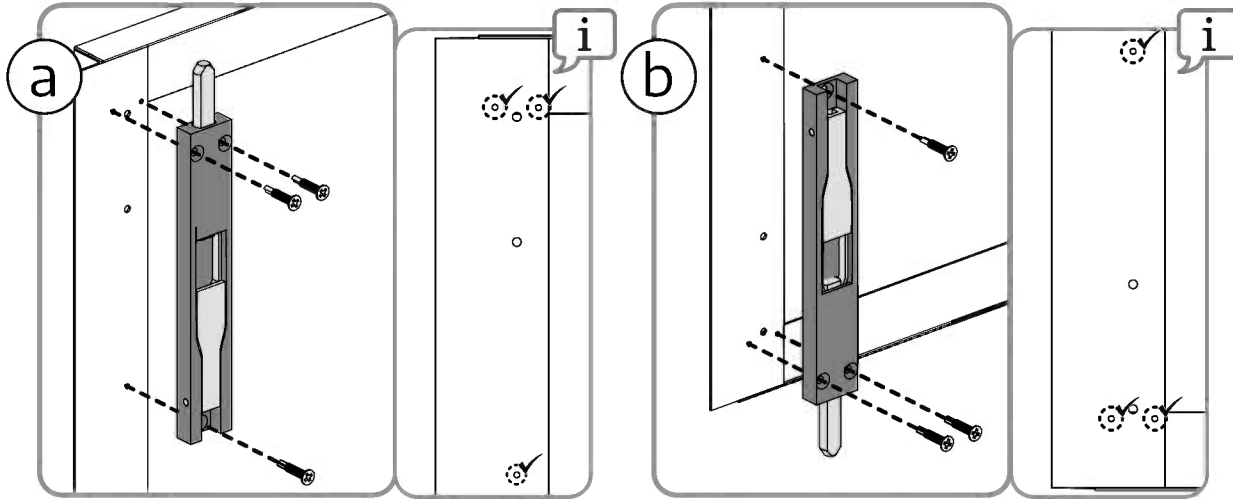
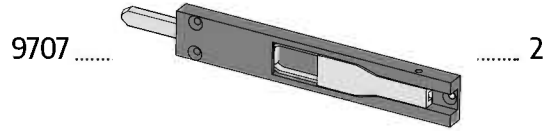
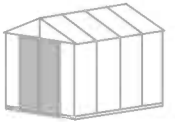


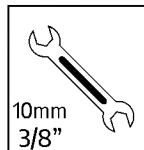
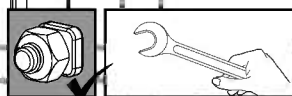
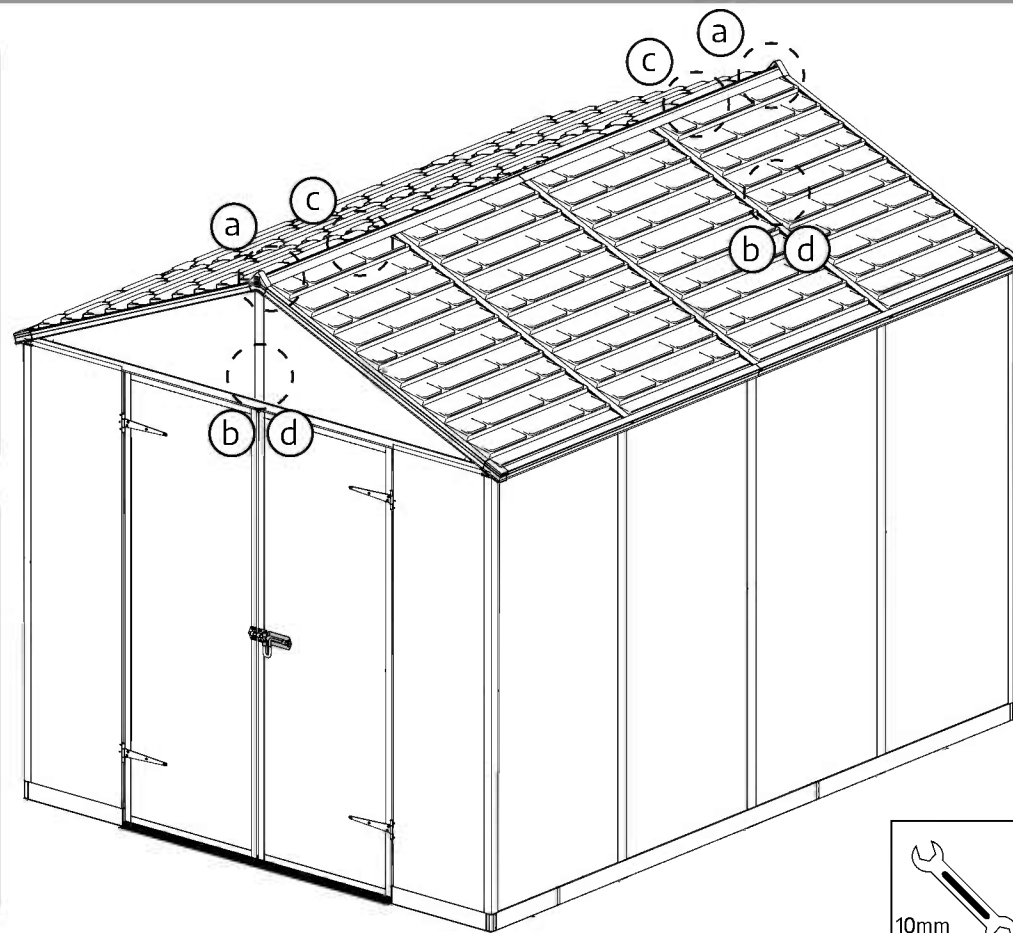
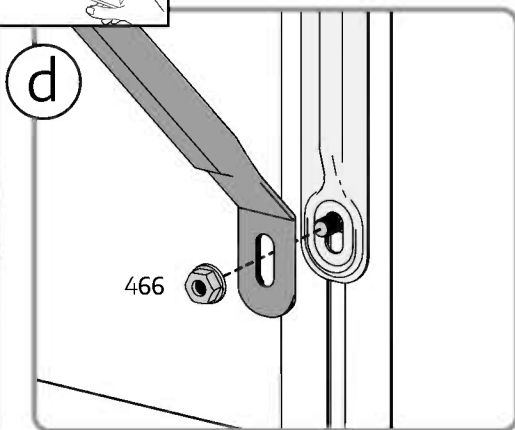
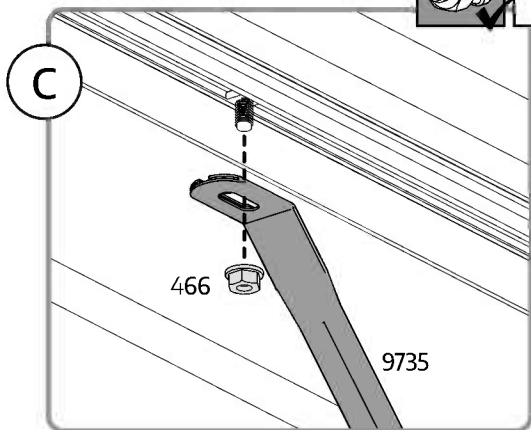
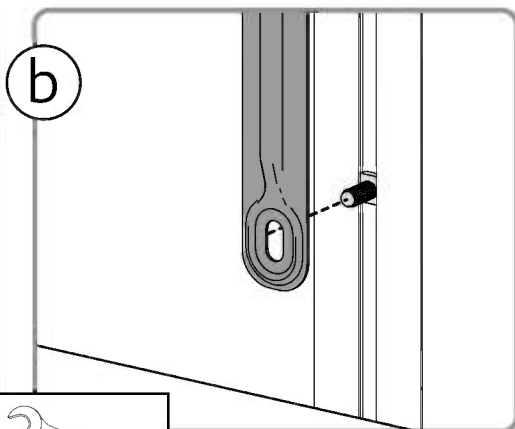
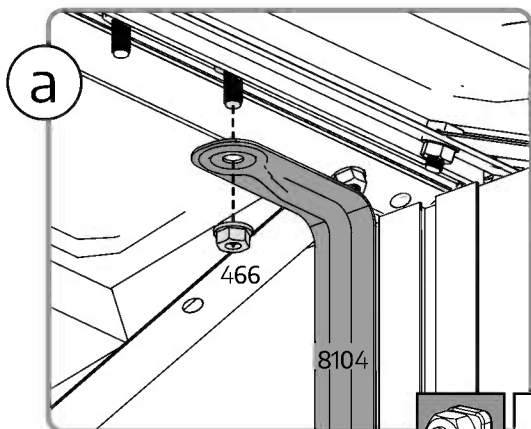
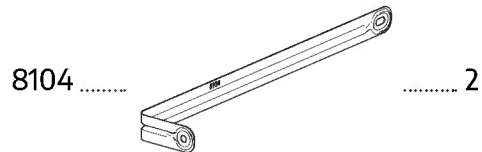
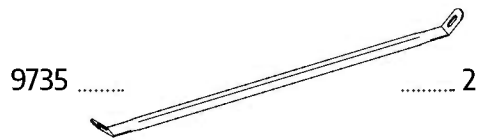
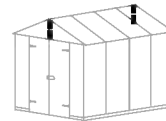
i





Use the marked holes



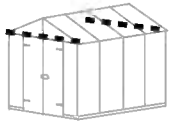


10mm
3/8"

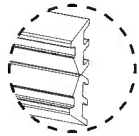
45



Install the sealing strip on the outer side as shown in the diagram a.
Use mild soap for easier assembly, cut sealing leftovers.



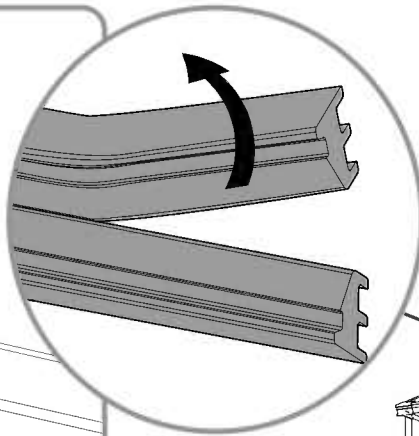
7869



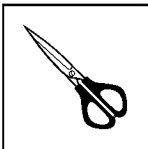
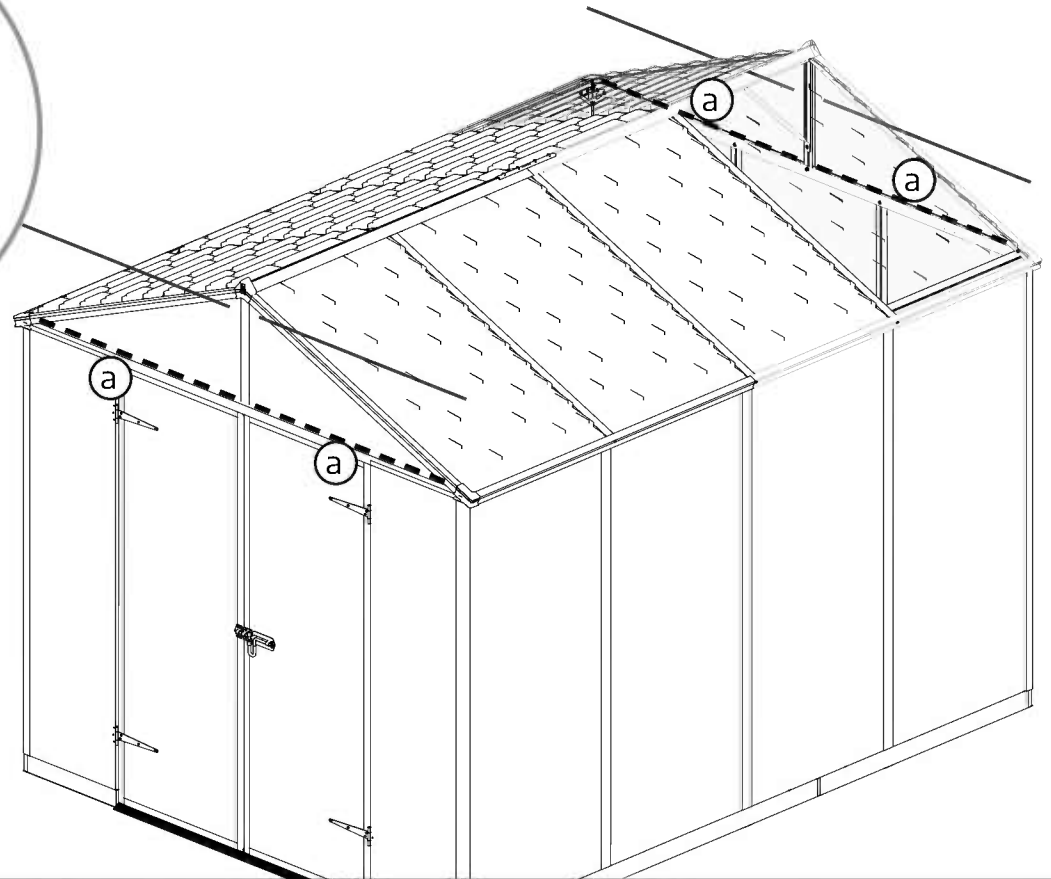
..... 1

a

7869



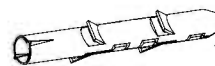
x4



9819..... 14



4010.....14



T40.....

