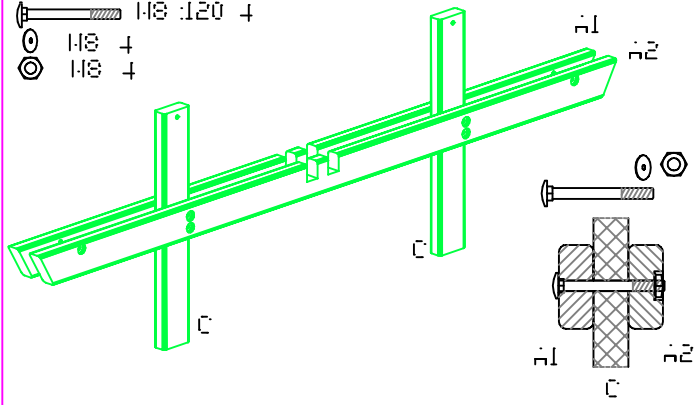
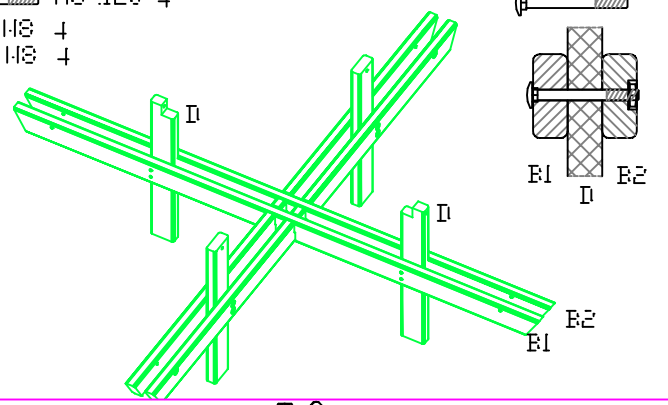


- A1 40 :95 :2180 1
- A2 40 :95 :2180 1
- C 40 :95 :670 2
- Ø M8 :120 4
- ⊙ M8 4



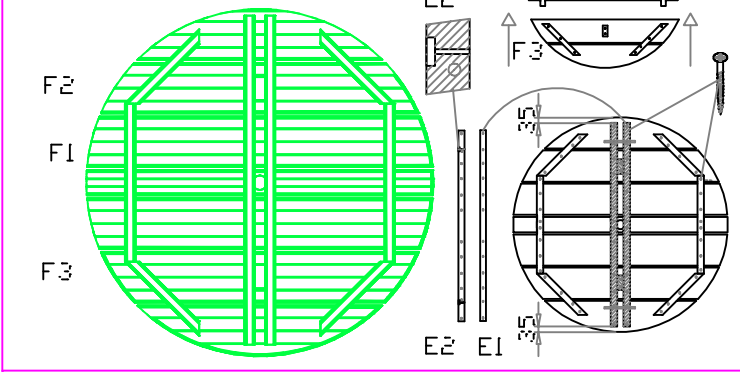
①

- B1 40 :95 :2180 1
- B2 40 :95 :2180 1
- D 40 :95 :670 2
- Ø M8 :120 4
- ⊙ M8 4



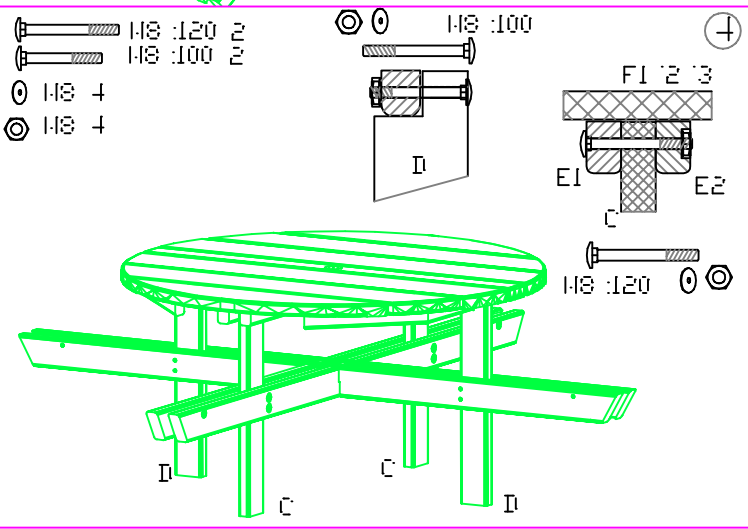
②

- E1 40 :47 :1290 1
- E2 40 :47 :1290 1
- F1 2 :3 40 :Ø1340 1
- 5 :60 18



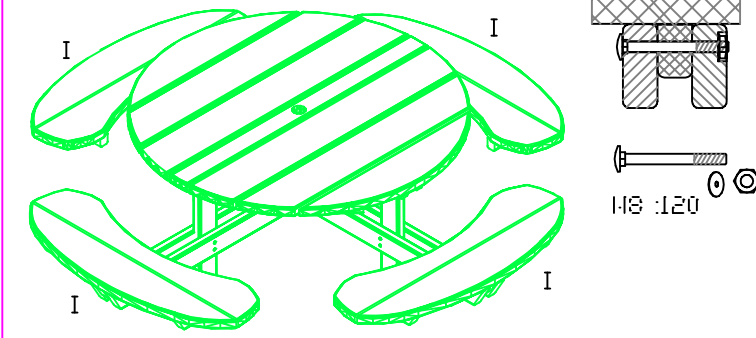
③

- Ø M8 :120 2
- Ø M8 :100 2
- ⊙ M8 4
- ⊙ M8 4



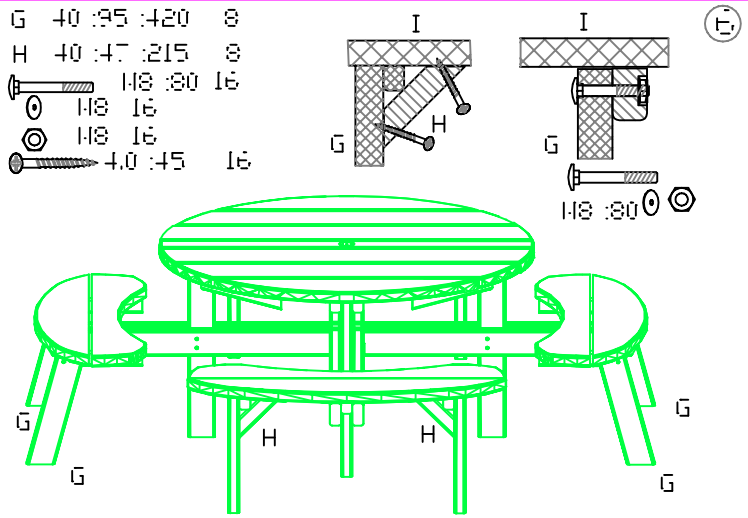
④

- I 40 :400 :1140 4
- Ø M8 :120 4
- ⊙ M8 4

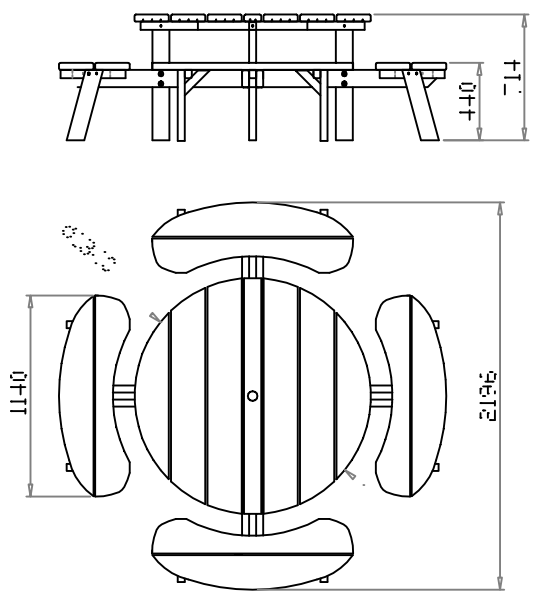


⑤

- G 40 :95 :420 8
- H 40 :47 :215 8
- Ø M8 :80 16
- ⊙ M8 16
- ⊙ M8 16
- 4.0 :45 16

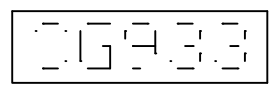


⑥



	A	40 :95 :2180	1
	B	40 :95 :2180	1
	C	40 :95 :670	2
	D	40 :95 :670	2
	E1	40 :47 :1290	1
	E2	40 :47 :1290	1
	F2		
	F1	40 :Ø1340	1
	F3		
	G	40 :95 :420	8
	H	40 :47 :215	8
	I	40 :400 :1140	4

	M8 :80	16
	M8 :100	2
	M8 :120	14
	M8	32
	M8	32
	4.0 :45	16
	5 :60	18



COLID 11.1  
 8,Industriepark,  
 8587,OPFERE-HELF.I.U.